

MXG2WRTL

3.5" MX G2 LED Trimless Wall Wash

JOB NAME		CATALOG NUMBER	
NOTES		TYPE	

ELECTRICAL DATA

LED LIGHT ENGINE	System Wattage *	CCT / CRI	Delivered Lumens **	Lumens Per Watt
L0	10W	3000K / 82 CRI	470lm	47
L1	16W	3000K / 82 CRI	659lm	43
L2	20W	3000K / 82 CRI	801lm	39
L3	26W	3000K / 82 CRI	908lm	34

*System Wattage include driver and LED Module consumption. **Delivered lumens will vary depending on trim, CCT, CRI, optic and ceiling thickness

FEATURES

- Multiple architectural trim options
- Uniform vertical and horizontal distribution
- 92 CRI options in all color temperatures

LED LIGHT ENGINE

- 92 CRI & 82 CRI in 2700K, 3000K, 3500K and 4100K with 2 SDIC binning
- >50,000 hours L70 (rated life at 70% output)

ELECTRICAL SYSTEM

- Multiple dimming drivers available
- (Non-IC) Dedicated voltage options of 120V or 277V. Must be specified in catalog code.
- (-IC/-CP) Universal 120V/277V input
- This product complies with IEEE C62.41 for surge endurance up to 2.5KV. Additional surge protection recommended. Damage from power surge is not covered by warranty.

DIMMING

- 0-10V Dimming 1%
- Forward/reverse dimming 1% (120V only)
- EldoLED 0-10V 0.1% or 1%
- Lutron® LDE1 Hi-Lume 1% EcoSystem LED driver with Soft-on, Fade-to-Black dimming technology
- DMX512 RDM 0.1%

HOUSING

- Heavy duty black powder coated 18 gauge steel frame
- Standard housing accommodates 5/8" ceiling thickness
- Extended collar options available for ceilings up to 1" or 2" thick, must specify either EC1 or EC2 (EC1/EC2 Not available with Chicago Plenum)

TRIM SPECIFICATION

High performance wall wash with asymmetric distribution provides uniform vertical illumination (see spacing criteria on next pages). Durably constructed with die-cast A380 aluminum and powder coat finish. Perforated mesh frame provided, adheres to joint compound for seamless and trimless mounting.

INSTALLATION

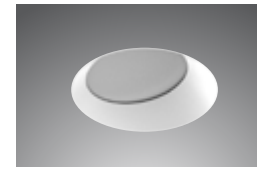
Housing types include IC Air-Tight, CCEA (Chicago Plenum), or Non-IC Rated (must specify). Non-IC rated housings must be kept at a minimum of 3" away from insulation. Butterfly brackets are compatible with adjustable bar hangers (14"-25") and EMT. Bar hangers must be ordered separately. Max. ambient temperature: 95°F (35°C).

EMERGENCY BACKUP

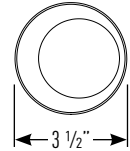
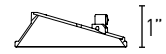
Remote test switch included. External battery operates LED load at a minimum of 300 to 525 lumens for 90 minutes, depending on backup wattage selected. See trim multipliers for detailed performance. Servicing requires above ceiling access. (EM not available with Chicago Plenum)

LISTING / WARRANTY

- 5-Year Intense LED Limited Warranty
- ETL listed to US and Canadian standards for damp locations
- (-IC/-CP Only) Air-Tight Certified ASTM E283
- (-IC/-CP Only) ETL listed for direct contact w/insulation
- (-CP Only) CCEA Chicago Plenum



MXG2-RTLW300
(1" Regress)



Housing dimensions are on Page 2

Available Trim Finishes



Housing Part Number (Example: MXG2WRTL-ICL1)

Housing	Installation Type	Ceiling Thickness	Wattage	Dimming	Voltage	Options
MXG2WRTL	-NC (Non-IC)	blank (5/8")	L0 (10 Watts)	blank (Non-Dimming)	blank (Non-IC: 120V -IC/-CP: 120V/277V) 27 (277V Non-IC Only, for -IC/-CP housing options use blank)	1100 (C-Channel Bar Hangers)
	-IC (Air-Tight IC)	EC1 ¹ (1")	L1 (16 Watts)	DELV ³ (Phase Dimming)		1200 (Flat Bar Hangers)
	-CP (Chicago Plenum)	EC2 ¹ (2")	L2 (20 Watts)	D101 (0-10V Dimming 1%)		1400 (Wood Joist Bar Hangers)
			L3 ² (26 Watts)	ED10V1 ⁴ (eldoLED 0-10V 1%) ED10V01 ⁴ (eldoLED 0-10V 0.1%) LUT ⁵ (Lutron® LDE1 EcoSystem 1%) DMXR ⁶ (DMX512 RDM 0.1%)		EM7 ⁷ (7W Emergency Backup IOTA Part #ILB-CP07-A) EM12 ^{2,8} (12W Emergency Backup IOTA Part #ILB-CP12-A)

Trim Part Number (Example: MXTG2-RTLW300W-SFL130)

Trim	Finish	Wattage	CCT / CRI
MXTG2-RTLW300 (1" Regress)	W (White)	L0 (10 Watts)	27 (2700K / 82 CRI)
	B (Black)	L1 (16 Watts)	279 (2700K / 92 CRI)
	SN (Satin Nickel)	L2 (20 Watts)	30 (3000K / 82 CRI)
		L3 ² (26 Watts)	309 (3000K / 92 CRI)
	AB (Antique Bronze)		35 (3500K / 82 CRI)
			359 (3500K / 92 CRI)
			41 (4100K / 82 CRI)
			419 (4100K / 92 CRI)

Notes:

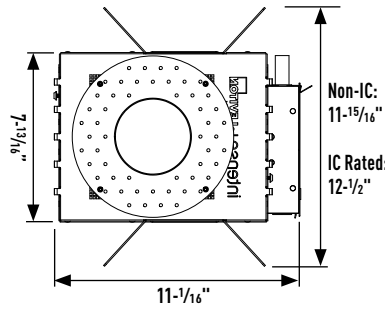
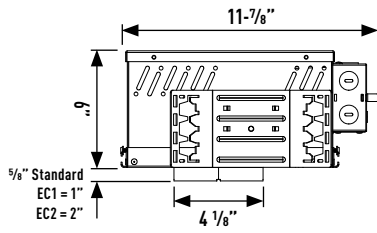
- EC1/EC2 not available with (-CP) Chicago Plenum
- L3 available with Non-IC housings only
- Available in 120V only
- Not Available in L3
- Not Available in L2 & L3
- DMX512 RDM not available in L0 & L1
- Access above ceiling required; not available with (-CP) Chicago Plenum
- Not available in L0

MXG2WRTL

3.5" MX G2 LED Trimless Wall Wash

JOB NAME		CATALOG NUMBER	
NOTES		TYPE	

NON-IC & AIR TIGHT IC DIMENSIONS

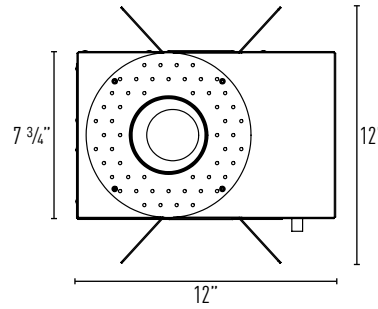
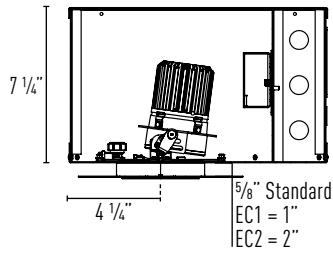


Plaster Frame Accommodation

Collar Type	Standard	EC1	EC2
Max Ceiling Thickness	Up-to 5/8"	Up-to 1"	Up-to 2"

Ceiling Cut Out: 4 1/8"

CCEA CHICAGO PLENUM DIMENSIONS



Plaster Frame Accommodation

Collar Type	Standard	EC1	EC2
Max Ceiling Thickness	Up-to 5/8"	Up-to 1"	Up-to 2"

Ceiling Cut Out: 4 1/8"

MX

3.5" MX G2 LED Wall Wash Photometrics

JOB NAME		CATALOG NUMBER	
NOTES		TYPE	

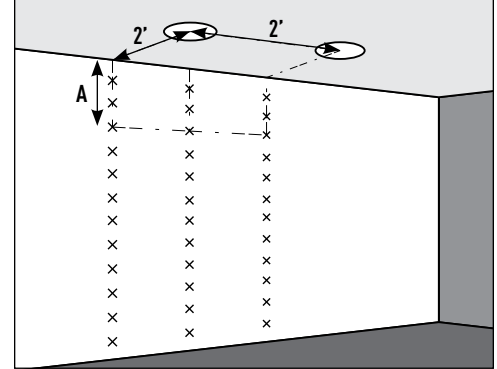
MXTG2-RTLW300WLO

Report #: ILL-01282016-13
 Reflector Finish: White
 Luminaire Watts: 10W
 Luminaire Lumens: 470lm
 Lumens Per Watt: 47
 Color Temperature: 3000K
 Color Rendering Index: 82

EMERGENCY MULTIPLIER:
 7W Emergency (x 0.70)

(A) Distance From Ceiling	2' From Wall On 2' Centers	3' From Wall On 2' Centers	3' From Wall On 3' Centers
	□ 2' □	□ 2' □	□ 3' □
1'	7 8 7	3 4 3	3 3 3
2'	8 9 8	4 4 4	3 4 3
3'	11 12 11	4 5 4	4 4 4
4'	12 13 12	5 6 5	4 5 4
5'	10 11 10	6 7 6	5 6 5
6'	8 9 8	6 7 6	5 6 5
7'	6 7 6	6 6 6	5 5 5
8'	5 5 5	5 5 5	4 5 4
9'	4 4 4	4 4 4	4 4 4
10'	3 3 3	3 4 3	3 3 3
11'	2 2 2	3 3 3	3 3 3
12'	2 2 2	2 2 2	2 2 2

Example: Two luminaires located 2' from wall and spaced 2' on center, the illumination on the wall 3' down from ceiling will be 11fc beneath units and 12fc between units



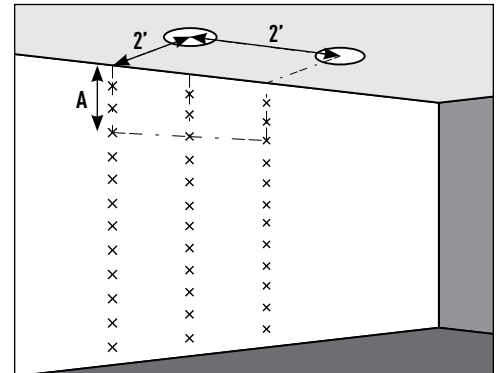
MXTG2-RTLW300WL1

Report #: ILL-01292016-01
 Reflector Finish: White
 Luminaire Watts: 15.5W
 Luminaire Lumens: 659lm
 Lumens Per Watt: 43
 Color Temperature: 3000K
 Color Rendering Index: 82

EMERGENCY MULTIPLIER:
 7W Emergency (x 0.50)
 12W Emergency (x 0.85)

(A) Distance From Ceiling	2' From Wall On 2' Centers	3' From Wall On 2' Centers	3' From Wall On 3' Centers
	□ 2' □	□ 2' □	□ 3' □
1'	10 11 10	4 4 4	3 3 3
2'	12 13 12	6 6 6	5 5 5
3'	15 17 15	6 7 6	5 6 5
4'	16 18 16	7 8 7	6 7 6
5'	14 16 14	8 9 8	7 8 7
6'	11 13 11	9 9 9	7 8 7
7'	9 9 9	8 9 8	7 8 7
8'	7 7 7	7 7 7	6 7 6
9'	5 5 5	6 6 6	5 6 5
10'	4 4 4	5 5 5	4 5 4
11'	3 3 3	4 4 4	4 4 4
12'	2 3 2	3 3 3	3 3 3

Example: Two luminaires located 2' from wall and spaced 2' on center, the illumination on the wall 3' down from ceiling will be 15fc beneath units and 17fc between units



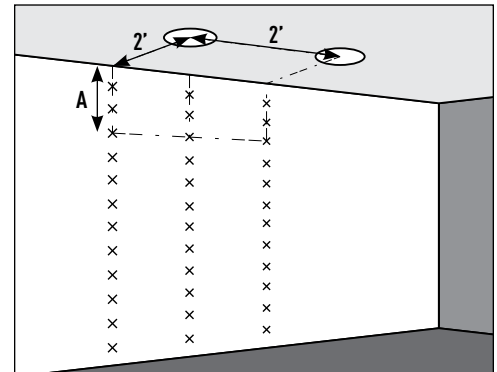
MXTG2-RTLW300WL2

Report #: ILL-01292016-02
 Reflector Finish: White
 Luminaire Watts: 20.6W
 Luminaire Lumens: 801lm
 Lumens Per Watt: 39
 Color Temperature: 3000K
 Color Rendering Index: 82

EMERGENCY MULTIPLIER:
 7W Emergency (x 0.40)
 12W Emergency (x 0.68)

(A) Distance From Ceiling	2' From Wall On 2' Centers	3' From Wall On 2' Centers	3' From Wall On 3' Centers
	□ 2' □	□ 2' □	□ 3' □
1'	12 13 12	5 5 5	4 4 4
2'	14 15 14	7 7 7	6 6 6
3'	18 21 18	7 8 7	6 7 6
4'	20 22 20	9 10 9	7 9 7
5'	17 19 17	10 11 10	9 10 9
6'	14 15 14	10 11 10	9 10 9
7'	11 11 11	10 10 10	8 9 8
8'	8 9 8	8 9 8	7 8 7
9'	6 7 6	7 7 7	6 7 6
10'	5 5 5	6 6 6	5 6 5
11'	4 4 4	5 5 5	4 5 4
12'	3 3 3	4 4 4	4 4 4

Example: Two luminaires located 2' from wall and spaced 2' on center, the illumination on the wall 3' down from ceiling will be 18fc beneath units and 21fc between units



Multipliers: 2700K / 82 CRI (x 0.93); 2700K / 92 CRI (x 0.76); 3000K / 82 CRI (x 1.00); 3000K / 92 CRI (x 0.87); 3500K / 82 CRI (x 1.00); 4100K / 82 CRI (x 1.00)

MX

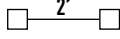
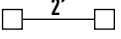
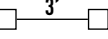
3.5" MX G2 LED Wall Wash Photometrics

JOB NAME		CATALOG NUMBER	
NOTES		TYPE	

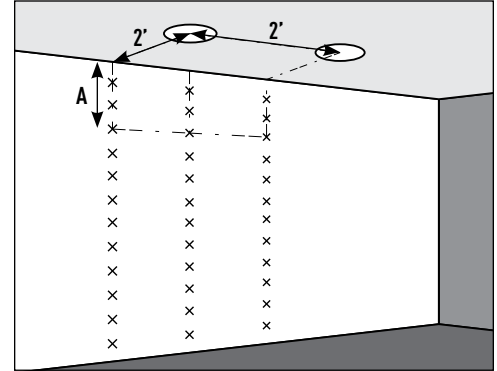
MXTG2-RTLW300WL3

Report #: ILL-01292016-13
 Reflector Finish: White
 Luminaire Watts: 26.4W
 Luminaire Lumens: 908lm
 Lumens Per Watt: 34
 Color Temperature: 3000K
 Color Rendering Index: 82

EMERGENCY MULTIPLIER:
 7W Emergency (x 0.35)
 12W Emergency (x 0.59)

(A) Distance From Ceiling	2' From Wall On 2' Centers	3' From Wall On 2' Centers	3' From Wall On 3' Centers
			
1'	14 15 14	5 6 5	4 6 4
2'	16 17 16	8 8 8	6 8 6
3'	20 24 20	8 9 8	7 9 7
4'	22 25 22	10 11 10	8 11 8
5'	20 22 20	12 13 12	9 13 9
6'	16 17 16	12 13 12	9 13 9
7'	12 13 12	11 12 11	9 12 9
8'	9 10 9	10 10 10	8 10 8
9'	7 7 7	8 9 8	7 8 7
10'	5 6 5	7 7 7	6 7 6
11'	4 4 4	6 6 6	5 6 5
12'	3 4 3	5 5 5	4 5 4

Example: Two luminaires located 2' from wall and spaced 2' on center, the illumination on the wall 3' down from ceiling will be 20fc beneath units and 24fc between units



Multipliers: 2700K / 82 CRI (x 0.93); 2700K / 92 CRI (x 0.76); 3000K / 82 CRI (x 1.00); 3000K / 92 CRI (x 0.87); 3500K / 82 CRI (x 1.00); 4100K / 82 CRI (x 1.00)