

MXG2WRTR

3.5" MX G2 TunableWhite Wall Wash

JOB NAME		CATALOG NUMBER	
NOTES		TYPE	

ELECTRICAL DATA

LED Light Engine	System Wattage *	CCT / CRI	Delivered Lumens **	Lumens Per Watt
TW05	8W	3500K / 92 CRI	500lm	62.5 lm/W
TW0	11W	3500K / 92 CRI	750lm	68.2 lm/W
TW1	17W	3500K / 92 CRI	1000lm	58.8 lm/W

System Wattage includes driver and LED Module consumption. | **Delivered lumens will vary depending on trim, CCT, CRI, optic and ceiling thickness

LED LIGHT ENGINE

- Tuning range from 2700K-6500K at a minimum of 92 CRI
- 3 SDCM binning throughout the tunable CCT range
- Wattage: 8W to 17W
- Rated life of >50,000 hours L70 based on LED testing per LM-80-08 and projected values using IESNA TM21-11

ELECTRICAL SYSTEM

- 120V or 277V input; Power factor >.9, 50/60Hz
- This product complies with IEEE C62.41 for surge endurance up to 2.5KV
- Additional surge protection recommended, damage from power surge is not covered by warranty

DIMMING

- eldoLED Dual Drive 2CH 0-10V 0.1% (Remote Only)
- Lutron T-Series 1% 2CH tunable white driver (Remote Only)
- DMX512 RDM 8-bit 0.1% (Remote Only)
- eldoLED Dual Drive DALI (DT6/DT8) 0.1%

HOUSING

- Heavy duty black powder coated 18 gauge steel frame
- Standard housing accommodates 5/8" ceiling thickness
- Extended collar options available for ceilings up to 1" or 2" thick, must specify either EC1 or EC2 (EC1/EC2 Not available with Chicago Plenum)

TRIM SPECIFICATION

Aiming with locking 35° vertical and 360° horizontal adjustment. High quality trims are die-cast using A380 aluminum with durable powder coat available in multiple finishes. Architectural, discrete self flange or painted white flange options available. Trims available in 1" regress for greater visual comfort or 1/2" regress for consistent look throughout space.

INSTALLATION

Housing types include IC Air-Tight, CCEA (Chicago Plenum), or Non-IC Rated (must specify). Non-IC rated housings must be kept at a minimum of 3" away from insulation. Butterfly brackets are compatible with C-channel, adjustable bar hangers (14"-25") and EMT. C-channel is recommended for T-bar ceilings. Bar hangers must be ordered separately. Maximum ambient temperature: 95°F (35°C)

REMOTE BOX

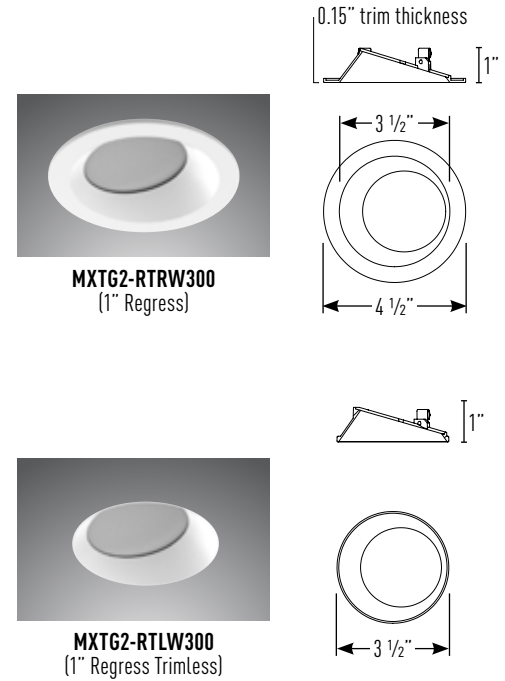
- Remote box included when required by specification
- Galvanized steel construction
- Separate line voltage and low voltage wiring compartments
- 50ft remote distance maximum

ACCESSORIES

Luminaire will accommodate (2) accessories, accessory holder required.

LISTING / WARRANTY

- 5-Year Intense LED Limited Warranty
- ETL listed to US and Canadian standards for damp locations
- (-IC Only) Air-Tight Certified ASTM E283
- (-IC Only) ETL listed for direct contact w/insulation



Housing Part Number (Example: MXG2WRTR-ICTW05-ED10V01)

Housing Type	Ceiling Thickness	Wattage	Dimming	Voltage
MXG2WRTR-NC (Non-IC)	blank (5/8")	TW05 (8W)	-ED10V01¹ (eldoLED Dual Drive 2CH 0-10V 0.1%)	blank (Non-IC: 120V; -IC/-CP: 120V/277V)
	EC1 (1")	TW0 (11W)	-LUTT¹ (Lutron® T Series 1%)	
MXG2WRTR-IC (Air-Tight IC)	EC2 (2")	TW1 (17W)	-DMXR¹ (DMX512 RDM 8-bit 0.1%)	27 (277V Non-IC Only; For -IC/-CP housing options use blank)
			-DALI6² (eldoLED Dual Drive DALI DT6 0.1%)	
MXG2DRTR-CP (Chicago Plenum)			-DALI8² (eldoLED Dual Drive DALI DT8 0.1%)	

Trim Part Number (Example: MXTG2-RTRW300W-SFTW)

Trim	Trim Finish	Trim Type	CCT Range
MXTG2-RTRW300 (1/2" Regress with Lens)	W (White)	-SF (Self Flanged)	TW (2700K-6500K)
	B⁴ (Black)	-SFW⁴ (Self Flanged White)	
MXTG2-RTLW300¹ (1/2" Regress Trimless with Lens)	SN⁴ (Satin Nickel)	blank ³ (Trimless, for use with mud ring only)	
	AB⁴ (Antique Bronze)		
	WH⁴ (Wheat)		

Notes:

1. AIC or CP only, Remote Box Required
2. Not Available with AIC or CP in TW1
3. Trimless options are for use with mud ring accessory only
4. Consult factory for lead times

Bar Hangers

1100	(C-Channel Bar Hangers)
1200	(Flat Bar Hangers)
1400	(Wood Joist Bar Hangers)

Mud Ring

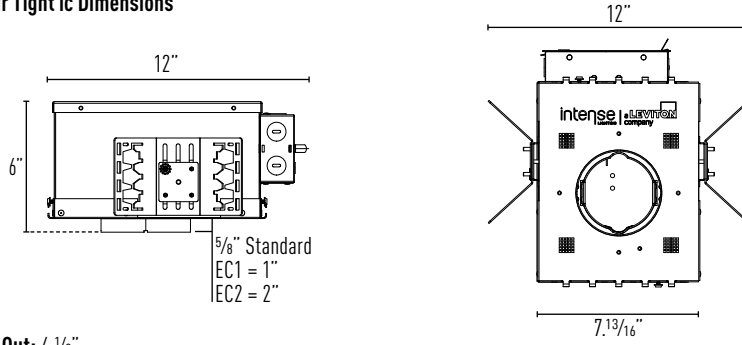
MXR-MR³	(Round Trimless Mud Ring)
---------------------------	---------------------------

MXG2WRTR

3.5" MX G2 TunableWhite Wall Wash

JOB NAME		CATALOG NUMBER	
NOTES		TYPE	

Non-IC & Air Tight ic Dimensions

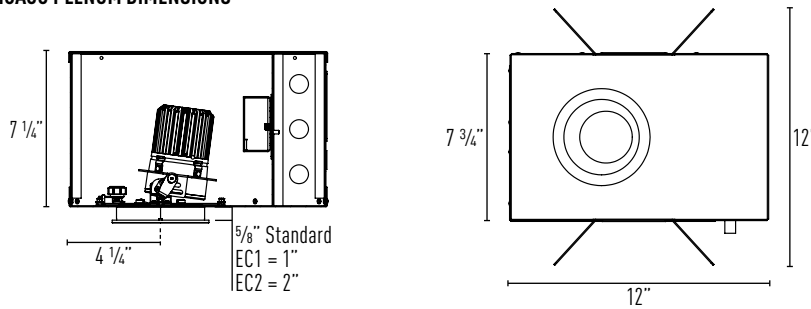


Plaster Frame Accommodation

Collar Type	Standard	EC1	EC2
Max Ceiling Thickness	Up-to 5/8"	Up-to 1"	Up-to 2"

Ceiling Cut Out: 4 1/8"

CCEA CHICAGO PLENUM DIMENSIONS

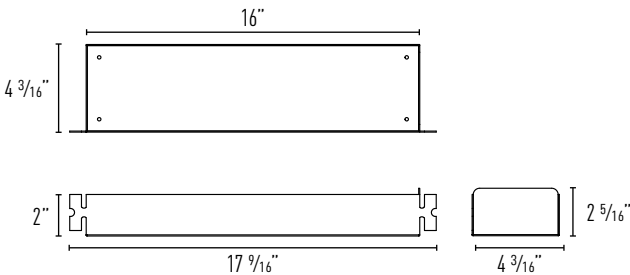


Plaster Frame Accommodation

Collar Type	Standard	EC1	EC2
Max Ceiling Thickness	Up-to 5/8"	Up-to 1"	Up-to 2"

Ceiling Cut Out: 4 1/8"

REMOTE MOUNTED DRIVER OPTIONS



Remote Driver Box For

etdoLED Dual Drive 2CH 0-10V 0.1%
 Lutron T-Series 1% 2CH tunable white driver
 DMX512 RDM 8-bit 0.1%

Note: Wires for class 2 LED driver require a minimum of 18 AWG wire at a maximum of 50 feet length per local and national electrical regulations.

Lumen Package	System Wattage		
	CCT	120V	277V
TW05 (500lm)	2700K	8W	10W
	3500K	8W	9W
	6000K	7W	8W
TW0 (750lm)	2700K	13W	14W
	3500K	11W	12W
	6000K	10W	12W
TW1 (1000lm)	2700K	21W	22W
	3500K	17W	18W
	6000K	16W	17W