

# MXG2WRTR

## 3.5" MX G2 LED Warm Dim Wall Wash

### ELECTRICAL DATA

LED Light Engine	System Wattage *	CCT / CRI	Delivered Lumens **
WD1	13.5W	3000K-1800K / 92 CRI	500lm
WD2	16.5W	3000K-1800K / 92 CRI	650lm

\* System Wattage include driver and LED Module consumption.

\*\* Delivered lumens will vary depending on CCT, CRI and ceiling thickness

### FEATURES

- Halogen style profile that warms as it dims
- 3000K at full intensity to 1800K at lowest dim level
- Uniform vertical and horizontal distribution

### LED LIGHT ENGINE

- 3000K to 1800K programmable tuning at 92 CRI
- 50,000 hours L70 (rated life at 70% output)

### ELECTRICAL SYSTEM

- Multiple dimming drivers available
- 120V or 277V input; Power factor >.9, 50/60Hz
- This product complies with IEEE C62.41 for surge endurance up to 2.5KV. Additional surge protection recommended. Damage from power surge is not covered by warranty.

### DIMMING

- Forward/reverse phase dimming 1% (120V only)
- 0-10V Dimming 1%
- EldoLED 0-10V 0.1% or 1%
- Lutron® LDE1 Hi-Lume 1% EcoSystem LED driver with Soft-on, Fade-to-Black dimming technology
- Lutron® LTEA2W Hi-Lume 1% 2-wire LED driver (120V forward phase only)
- DMX512 RDM 0.1%

### HOUSING

- Heavy duty black powder coated 18 gauge steel frame
- Standard housing accommodates 5/8" ceiling thickness
- Extended collar options available for ceilings up to 1" or 2" thick, must specify either EC1 or EC2

### TRIM SPECIFICATION

- High performance wall wash with asymmetric distribution provides uniform vertical illumination
- High quality A380 aluminum die-cast trims
- Discrete self flange or painted white flange options

### INSTALLATION

- Housing types include Non-IC, IC Air-Tight and CCEA (Chicago Plenum), must specify
- Non-IC rated housings must be kept at a minimum of 3" away from insulation
- Butterfly brackets are compatible with C-channel, adjustable bar hangers (14"-25") and EMT
- C-channel is recommended for T-bar ceilings
- Bar hangers must be ordered separately
- Max. ambient temperature: 131°F (55°C)

### EMERGENCY BACKUP

- Remote test switch included
- External battery operates LED load at a minimum of 300lm to 650lm for 90 minutes, depending on backup wattage selected
- Servicing requires above ceiling access

### LISTING / WARRANTY

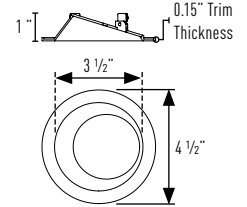
- 5-Year Intense LED Limited Warranty
- ETL listed to US and Canadian standards for damp locations
- (-IC/-CP Only) Air-Tight Certified ASTM E283
- (-IC/-CP Only) ETL listed for direct contact w/insulation
- (-CP Only) CCEA Chicago Plenum



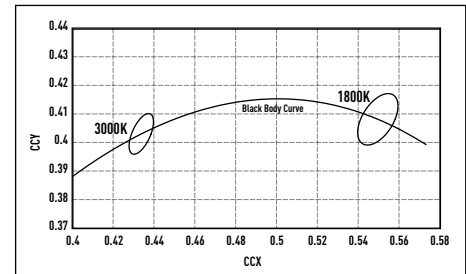
JOB NAME	CATALOG NUMBER
NOTES	TYPE



**MXTG2-RTRW300**  
(1" Regress)



### Available Trim Finishes



### Housing Part Number (Example: MXG2WRTR-ICWD1D1M)

Housing	Installation Type	Ceiling Thickness	Wattage	Dimming	Voltage	Options
MXG2WRTR	-NC (Non-IC)	blank (5/8")	WD1 (13.5W)	DIM <sup>1</sup> (Phase Dimming)	blank (-NC: 120V Only)	I100 (C-Channel Bar Hangers)
	-IC (Air-Tight IC)	EC1 (1")	WD2 (16.5W)	D101 (0-10V Dimming 1%)	-IC/-CP: UNV 120V-277V)	I200 (Flat Bar Hangers)
	-CP (Chicago Plenum)	EC2 (2")		ED10V1 (eldoLED 0-10V 1%)	27 (277V For -NC Only)	I400 (Wood Joist Bar Hangers)
				ED10V01 (eldoLED 0-10V 0.1%)		EM7 <sup>3</sup> (7W Emergency Backup)
				LUT (Lutron® LDE1 EcoSystem 1%)		IOTA Part #ILB-CP07-A)
				LUT2 <sup>1</sup> (Lutron® LTEA2W 2-Wire 1%)		EM12 <sup>3</sup> (12W Emergency Backup)
				DMXR <sup>2</sup> (DMX512 RDM 0.1%)		IOTA Part #ILB-CP12-A)

### Trim Part Number (Example: MXTG2-RTRW300W-SFWD1)

Trim	Finish	Wattage
MXTG2-RTRW300 (1" Regress)	B-SF (Black / Self Flanged)	WD1 (13.5W)
	B-SFW (Black / Self Flanged White)	WD2 (16.5W)
	W-SF (White / Self Flanged)	
	SN-SF (Satin Nickel / Self Flanged)	
	SN-SFW <sup>4</sup> (Satin Nickel / Self Flanged White)	
	AB-SF (Antique Bronze / Self Flanged)	
	AB-SFW <sup>4</sup> (Antique Bronze / Self Flanged White)	
	WH-SF (Wheat / Self Flanged)	
WH-SFW <sup>4</sup> (Wheat / Self Flanged White)		

#### Notes:

- Available in 120V only
- Not available with WD1
- Access above ceiling required
- Consult factory for lead times

MX DOWNLIGHTING LJM: 20190327 P-1

INTENSE LIGHTING | 3340 E La Palma Ave, Anaheim, CA 92806 | tel 714 630-9877 | fax 714 630-9883

For Intense Lighting's limited product warranty, go to [www.intenselighting.com](http://www.intenselighting.com). For a printed copy of the warranty, you may call 800 961-5321.

© 2019 Intense Lighting, LLC. All rights reserved. Note: This document is subject to change without notice.

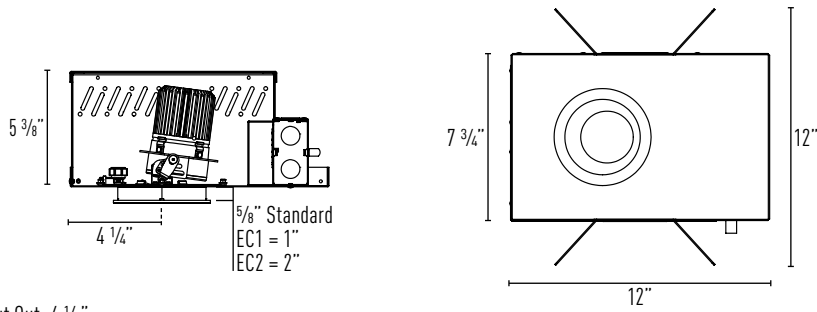


# MXG2WRTR

3.5" MX G2 LED Warm Dim Wall Wash

JOB NAME		CATALOG NUMBER	
NOTES		TYPE	

## NON-IC & AIR TIGHT IC DIMENSIONS

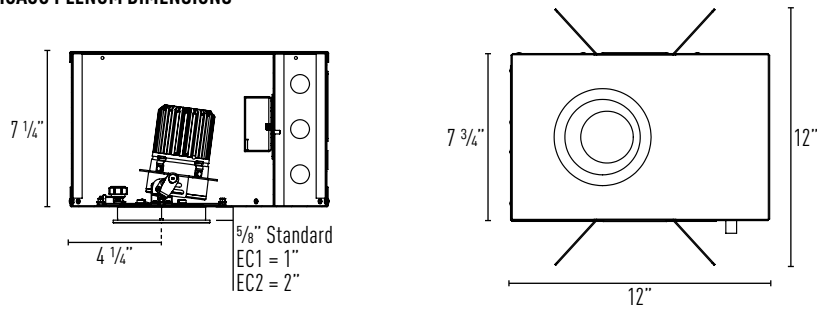


Ceiling Cut Out: 4 1/8"

### Plaster Frame Accommodation

Collar Type	Standard	EC1	EC2
Max Ceiling Thickness	Up-to 5/8"	Up-to 1"	Up-to 2"

## CCEA CHICAGO PLENUM DIMENSIONS



Ceiling Cut Out: 4 1/8"

### Plaster Frame Accommodation

Collar Type	Standard	EC1	EC2
Max Ceiling Thickness	Up-to 5/8"	Up-to 1"	Up-to 2"