

MXG2WRTR

3.5" MX G2 LED Warm Dim Wall Wash Wood Ceiling

JOB NAME		CATALOG NUMBER	
NOTES		TYPE	

ELECTRICAL DATA

LED Light Engine	System Wattage *	CCT / CRI	Delivered Lumens **
WD1	13.5W	3000K-1800K / 92 CRI	500lm
WD2	16.5W	3000K-1800K / 92 CRI	650lm

* System Wattage includes driver and LED Module consumption.

** Delivered lumens will vary depending on trim, CCT, CRI, optic and ceiling thickness

FEATURES

- Halogen style profile that warms as it dims
- 3000K at full intensity to 1800K at lowest dim level
- Uniform vertical and horizontal distribution

LED LIGHT ENGINE

- 3000K to 1800K programmable tuning at 92 CRI
- 50,000 hours L70 (rated life at 70% output)

ELECTRICAL SYSTEM

- Multiple dimming drivers available
- 120V or 277V input; Power factor >.9, 50/60Hz
- This product complies with IEEE C62.41 for surge endurance up to 2.5KV. Additional surge protection recommended. Damage from power surge is not covered by warranty.

DIMMING

- Forward/reverse phase dimming 1% (120V only)
- 0-10V Dimming 1%
- EldoLED 0-10V 0.1% or 1%
- Lutron® LDE1 Hi-Lume 1% EcoSystem LED driver with Soft-on, Fade-to-Black dimming technology
- Lutron® LTEA2W Hi-Lume 1% 2-wire LED driver (120V forward phase only)
- DMX512 RDM 0.1%

HOUSING

- Heavy duty black powder coated 18 gauge steel frame
- Standard housing accommodates 5/8" ceiling thickness
- Extended collar options available for ceilings up to 1" or 2" thick, must specify either EC1 or EC2

TRIM SPECIFICATION

- High performance wall wash with asymmetric distribution provides uniform vertical illumination
- High quality A380 aluminum die-cast trims
- Trim is available with solite, clear tempered or frosted lens, must specify.

INSTALLATION

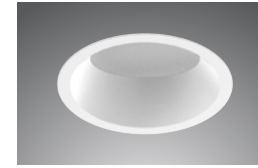
- Housing types include Non-IC, IC Air-Tight and CCEA (Chicago Plenum), must specify
- Non-IC rated housings must be kept at a minimum of 3" away from insulation
- Butterfly brackets are compatible with C-channel, adjustable bar hangers (14"-25") and EMT
- C-channel is recommended for T-bar ceilings
- Bar hangers must be ordered separately
- Max. ambient temperature: 131°F (55°C)

EMERGENCY BACKUP

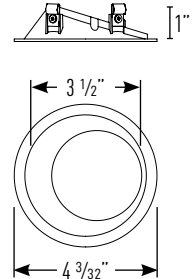
- Remote test switch included
- External battery operates LED load at a minimum of 300lm to 525lm for 90 minutes, depending on backup wattage selected
- Servicing requires above ceiling access

LISTING / WARRANTY

- 5-Year Intense LED Limited Warranty
- ETL listed to US and Canadian standards for damp locations
- (-IC/-CP Only) Air-Tight Certified ASTM E283
- (-IC/-CP Only) ETL listed for direct contact w/insulation
- (-CP Only) CCEA Chicago Plenum

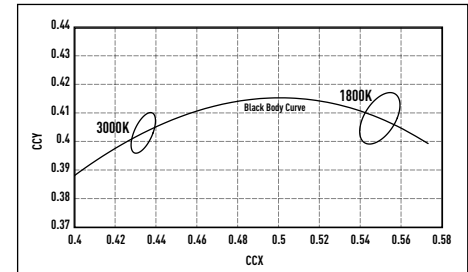


MXTG2-RWLW300
(1" Regress)



Recommended 4 1/8" precision routing fitment of wood trim; using a hole saw may result in improper fitment, uneven gaps and/or light leak

Available Trim Finishes



Housing Part Number (Example: MXG2WRTR-NCWD1)

Housing	Installation Type	Ceiling Thickness	Wattage	Dimming	Voltage	Options
MXG2WRTR	-NC (Non-IC)	blank (5/8")	WD1 (13.5W)	DIM ¹ (Phase Dimming)	blank (-NC: 120V Only)	I100 (C-Channel Bar Hangers)
	-IC (Air-Tight IC)	EC1 (1")	WD2 (16.5W)	D101 (0-10V Dimming 1%)	-IC/-CP: UNV 120V-277V)	I200 (Flat Bar Hangers)
	-CP (Chicago Plenum)	EC2 (2")		ED10V1 (eldoLED 0-10V 1%)	27 (277V For -NC Only)	I400 (Wood Joist Bar Hangers)
				ED10V01 (eldoLED 0-10V 0.1%)		EM7 ³ (7W Emergency Backup IOTA Part #ILB-CP07-A)
				LUT (Lutron® LDE1 EcoSystem 1%)		EM12 ³ (12W Emergency Backup IOTA Part #ILB-CP12-A)
				LUT2 ¹ (Lutron® LTEA2W 2-Wire 1%)		
				DMXR ² (DMX512 RDM 0.1%)		

Trim Part Number (Example: MXTG2-RWLW300WWD1)

Trim	Finish	Wattage
MXTG2-RWLW300 (1" Regress)	B (Black)	WD1 (13.5W)
	W (White)	WD2 (16.5W)
	SN (Satin Nickel)	
	AB (Antique Bronze)	
	WH (Wheat)	

Notes:

- Available in 120V only
- Not available with WD1
- Access above ceiling required

MX DOWNLIGHTING LJM: 20190327 P-49

INTENSE LIGHTING | 3340 E La Palma Ave, Anaheim, CA 92806 | tel 714 630-9877 | fax 714 630-9883

For Intense Lighting's limited product warranty, go to www.intenselighting.com. For a printed copy of the warranty, you may call 800 961-5321.

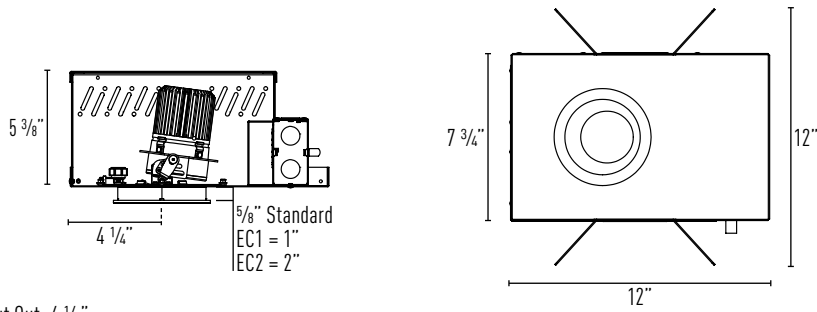
© 2019 Intense Lighting, LLC. All rights reserved. Note: This document is subject to change without notice.

MXG2WRTR

3.5" MX G2 LED Warm Dim Wall Wash Wood Ceiling

JOB NAME		CATALOG NUMBER	
NOTES		TYPE	

NON-IC & AIR TIGHT IC DIMENSIONS

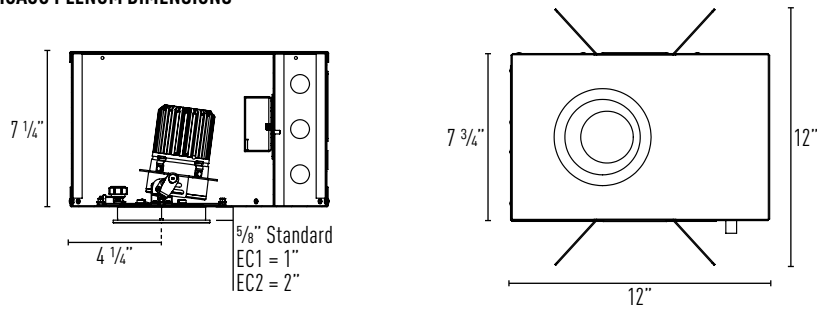


Ceiling Cut Out: 4 1/8"

Plaster Frame Accommodation

Collar Type	Standard	EC1	EC2
Max Ceiling Thickness	Up-to 5/8"	Up-to 1"	Up-to 2"

CCEA CHICAGO PLENUM DIMENSIONS



Ceiling Cut Out: 4 1/8"

Plaster Frame Accommodation

Collar Type	Standard	EC1	EC2
Max Ceiling Thickness	Up-to 5/8"	Up-to 1"	Up-to 2"