

JOB NAME		CATALOG NUMBER	
NOTES		TYPE	

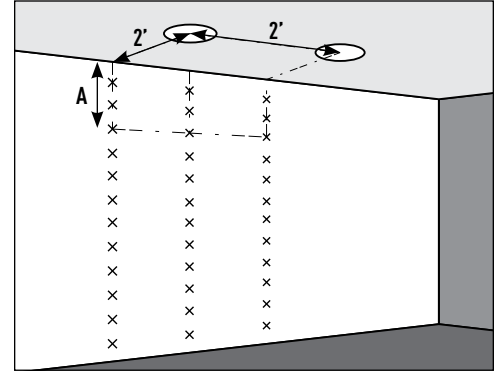
MXTG2-RWLW300WL3

Report #: ILL-01292016-13
 Reflector Finish: White
 Luminaire Watts: 26.4W
 Luminaire Lumens: 908lm
 Lumens Per Watt: 34
 Color Temperature: 3000K
 Color Rendering Index: 82

EMERGENCY MULTIPLIER:
 7W Emergency (x 0.35)
 12W Emergency (x 0.59)

(A) Distance From Ceiling	2' From Wall On 2' Centers	3' From Wall On 2' Centers	3' From Wall On 3' Centers
	□ 2' □	□ 2' □	□ 3' □
1'	14 15 14	5 6 5	4 6 4
2'	16 17 16	8 8 8	6 8 6
3'	20 24 20	8 9 8	7 9 7
4'	22 25 22	10 11 10	8 11 8
5'	20 22 20	12 13 12	9 13 9
6'	16 17 16	12 13 12	9 13 9
7'	12 13 12	11 12 11	9 12 9
8'	9 10 9	10 10 10	8 10 8
9'	7 7 7	8 9 8	7 8 7
10'	5 6 5	7 7 7	6 7 6
11'	4 4 4	6 6 6	5 6 5
12'	3 4 3	5 5 5	4 5 4

Example: Two luminaires located 2' from wall and spaced 2' on center, the illumination on the wall 3' down from ceiling will be 20fc beneath units and 24fc between units



Multipliers: 2700K / 82 CRI (x 0.93); 2700K / 92 CRI (x 0.76); 3000K / 82 CRI (x 1.00); 3000K / 92 CRI (x 0.87); 3500K / 82 CRI (x 1.00); 4100K / 82 CRI (x 1.00)

MXG2WSTR

3.5" MX G2 LED Square Wall Wash Wood Ceiling

JOB NAME		CATALOG NUMBER	
NOTES		TYPE	

ELECTRICAL DATA

LED LIGHT ENGINE	System Wattage *	CCT / CRI	Delivered Lumens **	Lumens Per Watt
L0	10W	3000K / 82 CRI	470lm	47
L1	16W	3000K / 82 CRI	659lm	43
L2	20W	3000K / 82 CRI	801lm	39
L3	26W	3000K / 82 CRI	908lm	34

*System Wattage include driver and LED Module consumption. **Delivered lumens will vary depending on trim, CCT, CRI, optic and ceiling thickness

FEATURES

- Multiple architectural trim options
- Uniform vertical and horizontal distribution
- 92 CRI options in all color temperatures

LED LIGHT ENGINE

- 92 CRI & 82 CRI in 2700K, 3000K, 3500K or 4100K with ZSDCM binning
- >50,000 hours L70 (rated life at 70% output)

ELECTRICAL SYSTEM

- (Non-IC) Dedicated voltage options of 120V or 277V. Must be specified in catalog code.
- (-IC) Universal 120V/277V input
- This product complies with IEEE C62.41 for surge endurance up to 2.5KV. Additional surge protection recommended. Damage from power surge is not covered by warranty.

DIMMING

- 0-10V Dimming 1%
- Forward/reverse dimming 1% (120V only)
- EldoLED 0-10V 0.1% or 1%
- Lutron® LDE1 Hi-Lume 1% EcoSystem LED driver with Soft-on, Fade-to-Black dimming technology
- DMX512 RDM 0.1%

HOUSING

Heavy duty black powder coated 18 gauge steel frame. Standard plaster frame accommodates 5/8" ceiling thickness. Extended collar options available for ceilings up to 1" or 2" thick, must specify.

TRIM SPECIFICATION

High performance wall wash with asymmetric distribution provides uniform vertical illumination (see spacing criteria on next pages). Durably constructed with die-cast A380 aluminum and powder coat finish.

INSTALLATION

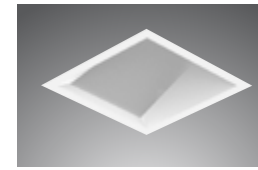
Housing types include IC Air-Tight or Non-IC Rated (must specify). Non-IC rated housings must be kept at a minimum of 3" away from insulation. Butterfly brackets are compatible with C-channel, adjustable bar hangers (14"-25") and EMT. C-channel is recommended for T-bar ceilings. Bar hangers must be ordered separately. Max. ambient temperature: 95°F (35°C).

EMERGENCY BACKUP

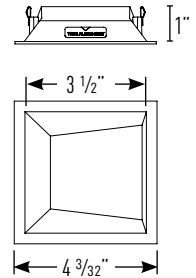
Remote test switch included. External battery operates LED load at a minimum of 300 to 525 lumens for 90 minutes, depending on backup wattage selected. See trim multipliers for detailed performance. Servicing requires above ceiling access.

LISTING / WARRANTY

- 5-Year Intense LED Limited Warranty
- ETL listed to US and Canadian standards for damp locations
- (-IC Only) Air-Tight Certified ASTM E283
- (-IC Only) ETL listed for direct contact w/insulation



MXG2-SWLW300
(1" Regress)



Recommended 4 1/8" precision routing fitment of wood trim; using a hole saw may result in improper fitment, uneven gaps and/or light leak

Housing dimensions are on Page 2

Available Trim Finishes



Housing Part Number (Example: MXG2WRTR-ICL1)

Housing	Installation Type	Ceiling Thickness	Wattage	Dimming	Voltage	Options
MXG2WSTR	-NC (Non-IC)	blank (5/8")	L0 (10 Watts)	blank (Non-Dimming)	blank (Non-IC: 120V	I100 (C-Channel Bar Hangers)
	-IC (Air-Tight IC)	EC1 (1")	L1 (16 Watts)	DELV ² (Phase Dimming)	-IC/-CP: 120V/277V)	I200 (Flat Bar Hangers)
		EC2 (2")	L2 (20 Watts)	D101 (0-10V Dimming 1%)	27 (277V Non-IC Only, for	I400 (Wood Joist Bar Hangers)
			L3 ¹ (26 Watts)	ED10V1 ⁶ (eldoLED 0-10V 1%)	-IC/-CP housing options use blank)	EM7 ⁶ (7W Emergency Backup 10TA Part #ILB-CP07-A)
			ED10V01 ⁶ (eldoLED 0-10V 0.1%)		EM12 ^{6,7} (12W Emergency Backup 10TA Part #ILB-CP12-A)	
			LUT ⁶ (Lutron® LDE1 EcoSystem 1%)			
			DMXR ⁵ (DMX512 RDM 0.1%)			

Trim Part Number (Example: MXTG2-RWLW300WL130)

Trim	Finish	Wattage	CCT / CRI
MXTG2-SWLW300 (1" Regress)	W (White)	L0 (10 Watts)	27 (2700K / 82 CRI)
	B (Black)	L1 (16 Watts)	279 (2700K / 92 CRI)
	SN (Satin Nickel)	L2 (20 Watts)	30 (3000K / 82 CRI)
	AB (Antique Bronze)	L3 ¹ (26 Watts)	309 (3000K / 92 CRI)
		35 (3500K / 82 CRI)	
		359 (3500K / 92 CRI)	
		41 (4100K / 82 CRI)	
		419 (4100K / 92 CRI)	

Notes:

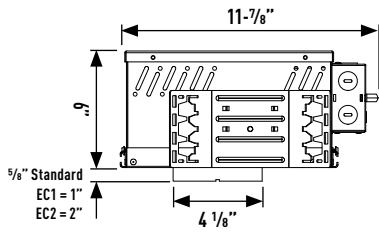
- L3 available with Non-IC housings only
- Available in 120V only
- Not Available in L3
- Not Available in L2 & L3
- DMX512 RDM not available in L0 & L1
- Access above ceiling required
- Not available in L0
- Available in L0 only

MXG2WSTR

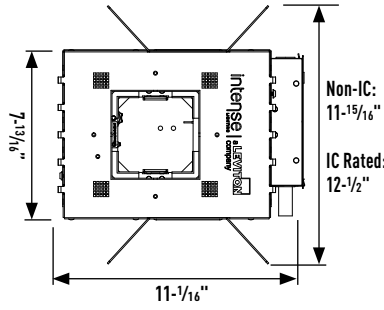
3.5" MX G2 LED Square Wall Wash Wood Ceiling

JOB NAME		CATALOG NUMBER	
NOTES		TYPE	

NON-IC & AIR TIGHT IC DIMENSIONS



Ceiling Cut Out: 4 1/8"



Plaster Frame Accommodation

Collar Type	Standard	EC1	EC2
Max Ceiling Thickness	Up-to 5/8"	Up-to 1"	Up-to 2"

JOB NAME		CATALOG NUMBER	
NOTES		TYPE	

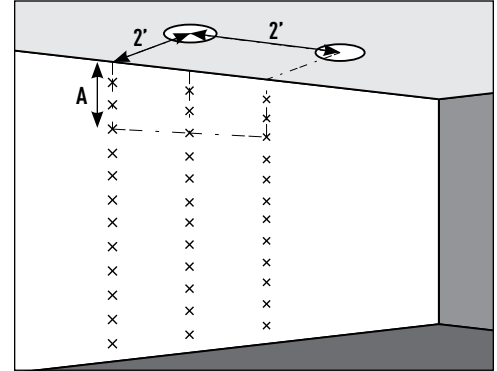
MXTG2-SWLW300WL0

Report #: ILL-02242016-04
 Reflector Finish: White
 Luminaire Watts: 10W
 Luminaire Lumens: 536lm
 Lumens Per Watt: 54
 Color Temperature: 3000K
 Color Rendering Index: 82

EMERGENCY MULTIPLIER:
 7W Emergency (x 0.70)

(A) Distance From Ceiling	2' From Wall On 2' Centers	3' From Wall On 2' Centers	3' From Wall On 3' Centers
	□ 2' □	□ 2' □	□ 3' □
1'	9 10 9	3 3 3	2 3 2
2'	14 15 14	6 6 6	5 5 5
3'	19 21 19	8 8 8	6 7 6
4'	18 20 18	10 11 10	8 9 8
5'	14 16 14	10 11 10	9 10 9
6'	10 11 10	10 10 10	8 9 8
7'	7 8 7	8 9 8	7 8 7
8'	5 6 5	7 7 7	6 6 6
9'	4 4 4	5 6 5	5 5 5
10'	3 3 3	4 4 4	4 4 4
11'	2 2 2	3 3 3	3 3 3
12'	2 2 2	3 3 3	2 3 2

Example: Two luminaires located 2' from wall and spaced 2' on center, the illumination on the wall 3' down from ceiling will be 19fc beneath units and 21fc between units



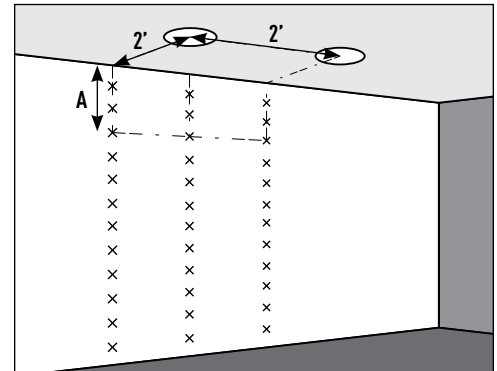
MXTG2-SWLW300WL1

Report #: ILL-02242016-03
 Reflector Finish: White
 Luminaire Watts: 15.5W
 Luminaire Lumens: 746lm
 Lumens Per Watt: 48
 Color Temperature: 3000K
 Color Rendering Index: 82

EMERGENCY MULTIPLIER:
 7W Emergency (x 0.50)
 12W Emergency (x 0.85)

(A) Distance From Ceiling	2' From Wall On 2' Centers	3' From Wall On 2' Centers	3' From Wall On 3' Centers
	□ 2' □	□ 2' □	□ 3' □
1'	12 13 12	4 5 4	3 4 3
2'	20 21 20	8 9 8	7 7 7
3'	26 29 26	10 12 10	9 9 9
4'	25 28 25	13 15 13	11 12 11
5'	20 22 20	14 16 14	12 13 12
6'	15 16 15	13 15 13	11 12 11
7'	10 11 10	11 12 11	10 11 10
8'	7 8 7	9 10 9	8 9 8
9'	5 6 5	7 8 7	6 7 6
10'	4 4 4	6 6 6	5 6 5
11'	3 3 3	5 5 5	4 4 4
12'	2 2 2	4 4 4	3 4 3

Example: Two luminaires located 2' from wall and spaced 2' on center, the illumination on the wall 3' down from ceiling will be 26fc beneath units and 29fc between units



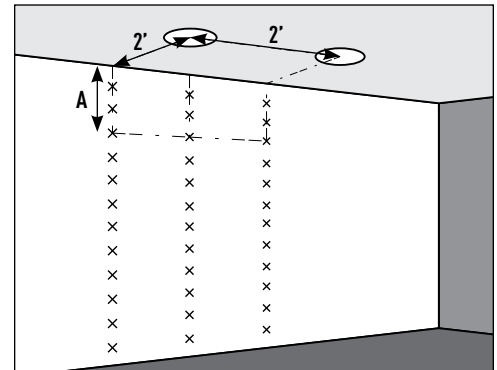
MXTG2-SWLW300WL2

Report #: ILL-02242016-02
 Reflector Finish: White
 Luminaire Watts: 20.5W
 Luminaire Lumens: 895lm
 Lumens Per Watt: 44
 Color Temperature: 3000K
 Color Rendering Index: 82

EMERGENCY MULTIPLIER:
 7W Emergency (x 0.40)
 12W Emergency (x 0.68)

(A) Distance From Ceiling	2' From Wall On 2' Centers	3' From Wall On 2' Centers	3' From Wall On 3' Centers
	□ 2' □	□ 2' □	□ 3' □
1'	14 16 14	5 5 5	4 4 4
2'	24 26 24	9 10 9	8 9 8
3'	32 35 32	13 14 13	11 11 11
4'	31 34 31	16 18 16	13 15 13
5'	24 26 24	17 19 17	15 16 15
6'	17 19 17	16 18 16	14 15 14
7'	12 13 12	14 15 14	12 13 12
8'	9 10 9	11 12 11	10 11 10
9'	7 7 7	9 9 9	8 8 8
10'	5 5 5	7 7 7	6 7 6
11'	4 4 4	6 6 6	5 5 5
12'	3 3 3	4 5 4	4 4 4

Example: Two luminaires located 2' from wall and spaced 2' on center, the illumination on the wall 3' down from ceiling will be 32fc beneath units and 35fc between units



Multipliers: 2700K / 82 CRI (x 0.93); 2700K / 92 CRI (x 0.76); 3000K / 82 CRI (x 1.00); 3000K / 92 CRI (x 0.87); 3500K / 82 CRI (x 1.00); 4100K / 82 CRI (x 1.00)

JOB NAME		CATALOG NUMBER	
NOTES		TYPE	

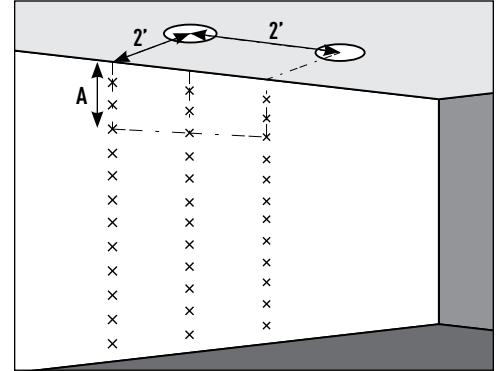
MXTG2-SWLW300WL3

Report #: ILL-02242016-01
 Reflector Finish: White
 Luminaire Watts: 26.5W
 Luminaire Lumens: 1025lm
 Lumens Per Watt: 39
 Color Temperature: 3000K
 Color Rendering Index: 82

EMERGENCY MULTIPLIER:
 7W Emergency (x 0.35)
 12W Emergency (x 0.59)

(A) Distance From Ceiling	2' From Wall On 2' Centers	3' From Wall On 2' Centers	3' From Wall On 3' Centers
	□ 2' □	□ 2' □	□ 3' □
1'	16 18 16	5 6 5	4 5 4
2'	27 29 27	11 12 11	9 10 9
3'	37 40 37	14 16 14	12 13 12
4'	35 39 35	18 21 18	15 17 15
5'	28 30 28	20 22 20	17 18 17
6'	20 22 20	18 20 18	16 17 16
7'	14 15 14	16 17 16	13 15 13
8'	10 11 10	13 14 13	11 12 11
9'	7 8 7	10 11 10	9 10 9
10'	6 6 6	8 8 8	7 8 7
11'	4 4 4	6 7 6	6 6 6
12'	3 3 3	5 5 5	5 5 5

Example: Two luminaires located 2' from wall and spaced 2' on center, the illumination on the wall 3' down from ceiling will be 37fc beneath units and 40fc between units



Multipliers: 2700K / 82 CRI (x 0.93); 2700K / 92 CRI (x 0.76); 3000K / 82 CRI (x 1.00); 3000K / 92 CRI (x 0.87); 3500K / 82 CRI (x 1.00); 4100K / 82 CRI (x 1.00)