

# MXG2WSTR

## 3.5" MX G2 LED Warm Dim Square Wall Wash

<b>JOB NAME</b>		<b>CATALOG NUMBER</b>	
<b>NOTES</b>		<b>TYPE</b>	

### ELECTRICAL DATA

LED Light Engine	System Wattage *	CCT / CRI	Delivered Lumens **
WD1	13.5W	3000K-1800K / 92 CRI	500lm
WD2	16.5W	3000K-1800K / 92 CRI	650lm

\* System Wattage include driver and LED Module consumption.

\*\* Delivered lumens will vary depending on CCT, CRI and ceiling thickness

### FEATURES

- Halogen style profile that warms as it dims
- 3000K at full intensity to 1800K at lowest dim level
- Uniform vertical and horizontal distribution

### LED LIGHT ENGINE

- 3000K to 1800K programmable tuning at 92 CRI
- 50,000 hours L70 (rated life at 70% output)

### ELECTRICAL SYSTEM

- Multiple dimming drivers available
- 120V or 277V input; Power factor >.9, 50/60Hz
- This product complies with IEEE C62.41 for surge endurance up to 2.5KV. Additional surge protection recommended. Damage from power surge is not covered by warranty.

### DIMMING

- Forward/reverse phase dimming 1% (120V only)
- 0-10V Dimming 1%
- EldoLED 0-10V 0.1% or 1%
- Lutron® LDE1 Hi-Lume 1% EcoSystem LED driver with Soft-on, Fade-to-Black dimming technology
- Lutron® LTEA2W Hi-Lume 1% 2-wire LED driver (120V forward phase only)
- DMX512 RDM 0.1%

### HOUSING

- Heavy duty black powder coated 18 gauge steel frame
- Standard housing accommodates 5/8" ceiling thickness
- Extended collar options available for ceilings up to 1" or 2" thick, must specify either EC1 or EC2
- Perforated mesh frame provided, adheres to joint compound for seamless and trimless mounting.

### TRIM SPECIFICATION

- High performance wall wash with asymmetric distribution provides uniform vertical illumination
- High quality A380 aluminum die-cast trims
- Discrete self flange or painted white flange options

### INSTALLATION

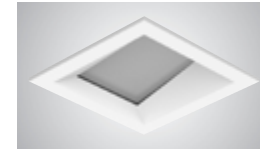
- Housing types include Non-IC and IC Air-Tight, must specify
- Non-IC rated housings must be kept at a minimum of 3" away from insulation
- Butterfly brackets are compatible with C-channel, adjustable bar hangers (14"-25") and EMT
- C-channel is recommended for T-bar ceilings
- Bar hangers must be ordered separately
- Max. ambient temperature: 131°F (55°C)

### EMERGENCY BACKUP

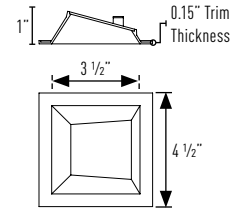
- Remote test switch included
- External battery operates LED load at a minimum of 350lm to 600lm for 90 minutes, depending on backup wattage selected
- Servicing requires above ceiling access

### LISTING / WARRANTY

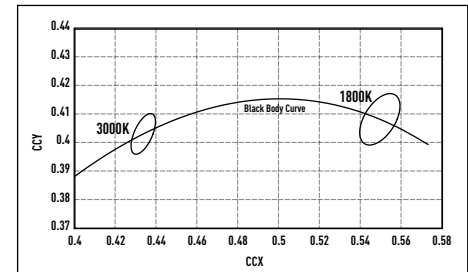
- 5-Year Intense LED Limited Warranty
- ETL listed to US and Canadian standards for damp locations
- (-IC Only) Air-Tight Certified ASTM E283
- (-IC Only) ETL listed for direct contact w/insulation



**MXG2-STRW300**  
(1" Regress)



### Available Trim Finishes



### Housing Part Number (Example: MXG2WSTR-ICWD10IM)

Housing	Installation Type	Ceiling Thickness	Wattage	Dimming	Voltage	Options
MXG2WSTR	-NC (Non-IC)	blank (5/8")	WD1 (13.5W)	DIM <sup>1</sup> (Phase Dimming)	blank (-NC: 120V Only)	1100 (C-Channel Bar Hangers)
	-IC (Air-Tight IC)	EC1 (1") EC2 (2")	WD2 (16.5W)	D101 (0-10V Dimming 1%) ED10V1 (eldoLED 0-10V 1%) ED10V01 (eldoLED 0-10V 0.1%) LUT (Lutron® LDE1 EcoSystem 1%) LUT2 <sup>1</sup> (Lutron® LTEA2W 2-Wire 1%) DMXR <sup>2</sup> (DMX512 RDM 0.1%)	-IC: UNV 120V-277V 27 (277V For -NC Only)	1200 (Flat Bar Hangers) 1400 (Wood Joist Bar Hangers) EM7 <sup>3</sup> (7W Emergency Backup IOTA Part #ILB-CP07-A) EM12 <sup>3</sup> (12W Emergency Backup IOTA Part #ILB-CP12-A)

### Trim Part Number (Example: MXTG2-STRW300W-SFWD1)

Trim	Finish	Wattage
MXTG2-STRW300 (1" Regress)	B-SF (Black / Self Flanged)	WD1 (13.5W)
	B-SFW (Black / Self Flanged White)	WD2 (16.5W)
	W-SF (White / Self Flanged)	
	SN-SF (Satin Nickel / Self Flanged)	
	SN-SFW <sup>4</sup> (Satin Nickel / Self Flanged White)	
	AB-SF (Antique Bronze / Self Flanged)	
	AB-SFW <sup>4</sup> (Antique Bronze / Self Flanged White)	
	WH-SF (Wheat / Self Flanged)	
WH-SFW <sup>4</sup> (Wheat / Self Flanged White)		

### Notes:

- Available in 120V only
- Not available with WD1
- Access above ceiling required
- Consult factory for lead times

MX DOWNLIGHTING LJM: 20200612 P-7

INTENSE LIGHTING | 3340 E La Palma Ave, Anaheim, CA 92806 | tel 714 630-9877 | fax 714 630-9883

For Intense Lighting's limited product warranty, go to [www.intenselighting.com](http://www.intenselighting.com). For a printed copy of the warranty, you may call 800 961-5321.

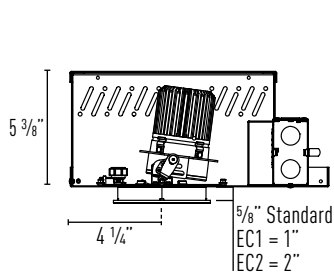
© 2020 Intense Lighting, LLC. All rights reserved. Note: This document is subject to change without notice.

# MXG2WSTR

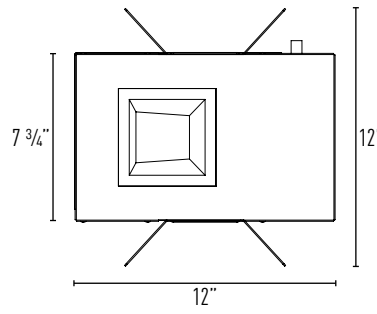
3.5" MX G2 LED Warm Dim Square Wall Wash

JOB NAME		CATALOG NUMBER	
NOTES		TYPE	

## NON-IC & AIR TIGHT IC DIMENSIONS



Ceiling Cut Out: 4 1/8"



### Plaster Frame Accommodation

Collar Type	Standard	EC1	EC2
Max Ceiling Thickness	Up-to 5/8"	Up-to 1"	Up-to 2"

## 3.5" MX G2 LED Warm Dim Wall Wash Photometrics

<b>JOB NAME</b>		<b>CATALOG NUMBER</b>	
<b>NOTES</b>		<b>TYPE</b>	

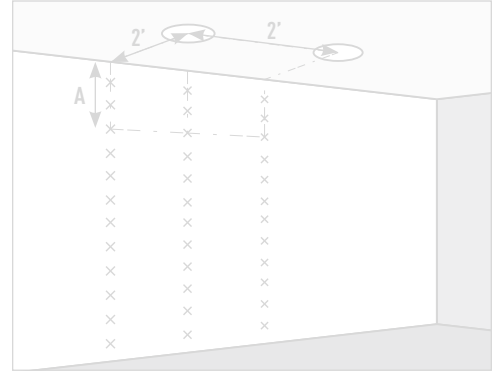
### MXTG2-STRW300WWD1

Report #: ILL-02242016-04  
 Reflector Finish: White  
 Luminaire Watts: 10W  
 Luminaire Lumens: 536lm  
 Lumens Per Watt: 54  
 Color Temperature: 3000K  
 Color Rendering Index: 82

**EMERGENCY MULTIPLIER:**  
 7W Emergency (x 0.70)

(A) Distance From Ceiling	2' From Wall On 2' Centers	3' From Wall On 2' Centers	3' From Wall On 3' Centers
	□ 2' □	□ 2' □	□ 3' □
1'	9 10 9	3 3 3	2 3 2
2'	14 15 14	6 6 6	5 5 5
3'	19 21 19	8 8 8	6 7 6
4'	18 20 18	10 11 10	8 9 8
5'	14 16 14	10 11 10	9 10 9
6'	10 11 10	10 10 10	8 9 8
7'	7 8 7	8 9 8	7 8 7
8'	5 6 5	7 7 7	6 6 6
9'	4 4 4	5 6 5	5 5 5
10'	3 3 3	4 4 4	4 4 4
11'	2 2 2	3 3 3	3 3 3
12'	2 2 2	3 3 3	2 3 2

Example: Two luminaires located 2' from wall and spaced 2' on center, the illumination on the wall 3' down from ceiling will be 19fc beneath units and 21fc between units



### MXTG2-STRW300WWD2

Report #: ILL-02242016-03  
 Reflector Finish: White  
 Luminaire Watts: 15.5W  
 Luminaire Lumens: 746lm  
 Lumens Per Watt: 48  
 Color Temperature: 3000K  
 Color Rendering Index: 82

**EMERGENCY MULTIPLIER:**  
 7W Emergency (x 0.50)  
 12W Emergency (x 0.85)

(A) Distance From Ceiling	2' From Wall On 2' Centers	3' From Wall On 2' Centers	3' From Wall On 3' Centers
	□ 2' □	□ 2' □	□ 3' □
1'	12 13 12	4 5 4	3 4 3
2'	17 18 17	7 8 7	7 7 7
3'	21 22 21	9 10 9	9 9 9
4'	26 27 26	12 13 12	11 12 11
5'	28 29 28	15 16 15	12 12 12
6'	22 23 22	14 15 14	11 12 11
7'	16 17 16	13 14 13	11 12 11
8'	11 12 11	11 12 11	10 11 10
9'	8 8 8	9 10 9	8 9 8
10'	5 5 5	7 8 7	6 6 6
11'	4 4 4	6 6 6	5 6 5
12'	3 3 3	5 5 5	4 4 4
12'	2 2 2	4 4 4	3 4 3

Example: Two luminaires located 2' from wall and spaced 2' on center, the illumination on the wall 3' down from ceiling will be 26fc beneath units and 21fc between units



# MISSING PHOTOMETRICS