

# MXRG2ARTR

## 3.5" MX G2 Warm Dim LED Lensed Adjustable with Remodel Housing - Wet Location

JOB NAME		CATALOG NUMBER	
NOTES		TYPE	

### ELECTRICAL DATA

LED Light Engine	System	CCT / CRI	Delivered Lumens **
WD1	13.5W	3000K-1800K / 92 CRI	750lm
WD2	16.5W	3000K-1800K / 92 CRI	900lm

\* System Wattage includes driver and LED Module consumption.

\*\* Delivered lumens will vary depending on trim, CCT, CRI, optic and ceiling thickness

### FEATURES

- Halogen style profile that warms as it dims
- 3000K at full intensity to 1800K at lowest dim level
- Multiple architectural trim options available
- Field changeable optics: 24°, 30°, 45°

### LED LIGHT ENGINE

- 3000K to 1800K programmable tuning at 92 CRI
- 50,000 hours L70 (rated life at 70% output)

### ELECTRICAL SYSTEM

- (Non-IC) 120V or 277V input; Power factor >.9 50/60Hz
- This product complies with IEEE C62.41 for surge endurance up to 2.5KV. Additional surge protection recommended. Damage from power surge is not covered by warranty.

### DIMMING

- 0-10V Dimming 1%
- Phase dimming, forward 1% & reversed 5% (120V only)
- EldoLED 0-10V 0.1% or 1%
- Lutron® LDE1 Hi-Lume 1% EcoSystem LED driver with Soft-on, Fade-to-Black dimming technology
- Lutron® LTEA2W Hi-Lume 1% 2-Wire LED driver (120V forward phase only)
- DMX512 RDM 0.1%

### HOUSING

High quality die-casted collar with high strength stainless steel swing out lugs. Driver swivels 90° to accommodate tight spaces.

### TRIM SPECIFICATION

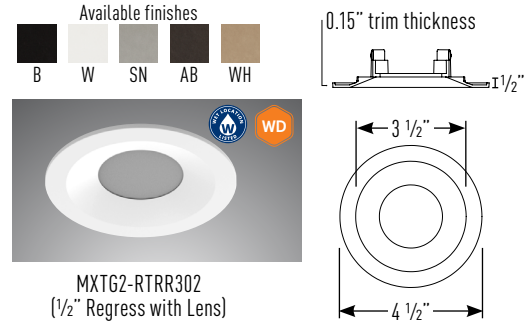
Aiming with locking 35° vertical and 360° horizontal adjustment. High quality trims are die-cast using A380 aluminum with durable powder coat available in multiple finishes. Architectural, discrete self flange or painted white flange options available. Trim is available with solite, clear tempered or frosted lens, must specify.

### INSTALLATION

Housing installs from below the ceiling. Swing out lugs allow for installation in ceilings between 5/16" and 3/4". Max. ambient temperature: 131°F (55°C). Housing is Non-IC rated, must be kept at a minimum of 3" away from insulation.

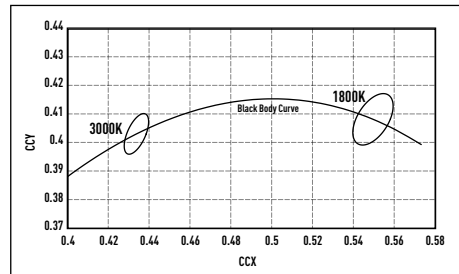
### LISTING / WARRANTY

- 5-Year Intense LED Limited Warranty
- ETL listed to US and Canadian standards for wet locations



MXTG2-RTRR302  
(1/2" Regress with Lens)

### Available Trim Finishes



### Housing Part Number (Example: MXRG2ARTR-NCWD1-DIM)

Housing	Installation Type	Wattage	Dimming	Voltage
MXRG2ARTR	-NC (Non-IC)	WD1 (13.5W) WD2 (16.5W)	DIM <sup>1</sup> (Phase Dimming)	blank (120V Only)
			D101 (0-10V Dimming 1%)	27 (277V Only)
			ED10V1 (eldoLED 0-10V 1%)	
			ED10V01 (eldoLED 0-10V 0.1%)	
			LUT (Lutron® LDE1 EcoSystem 1%)	
			LUT2 <sup>1</sup> (Lutron® LTEA2W 2-Wire 1%)	
DMXR <sup>2</sup> (DMX512 RDM 0.1%)				

### Trim Part Number (Example: MXTG2-RTRR302W-SFWD1NF-SL)

Trim	Finish	Wattage	Optic	Lens
MXTG2-RTRR302 (1/2" Regress)	B-SF (Black / Self Flanged)	WD1 (13.5W)	NF (24° Narrow Flood)	-SL (Solite)
	B-SFW (Black / Self Flanged White)	WD2 (16.5W)	FL (30° Flood)	-CR (Clear Tempered)
	W-SF (White / Self Flanged)		WF (45° Wide Flood)	-FR (Frosted)
	SN-SF (Satin Nickel / Self Flanged)			
	SN-SFW <sup>3</sup> (Satin Nickel / Self Flanged White)			
	AB-SF (Antique Bronze / Self Flanged)			
	AB-SFW <sup>3</sup> (Antique Bronze / Self Flanged White)			
	WH-SF (Wheat / Self Flanged)			
	WH-SFW <sup>3</sup> (Wheat / Self Flanged White)			

- Notes:
- Available in 120V only
  - Not available with WD1
  - Consult factory for lead times

MX ADJUSTABLE REMODEL L/M-116/19 P-4

INTENSE LIGHTING | 3340 E La Palma Ave, Anaheim, CA 92806 | tel 714 630-9877 | fax 714 630-9883

For Intense Lighting's limited product warranty, go to [www.intenselighting.com](http://www.intenselighting.com). For a printed copy of the warranty, you may call 800 961-5321.

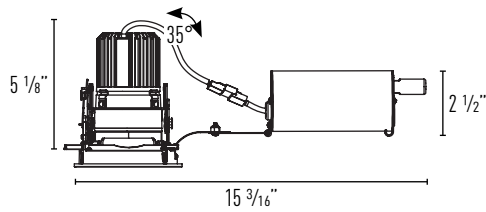
© 2019 Intense Lighting, LLC. All rights reserved. Note: This document is subject to change without notice.

# MXRG2ARTR

3.5" MX G2 Warm Dim LED Lensed Adjustable with Remodel Housing - Wet Location

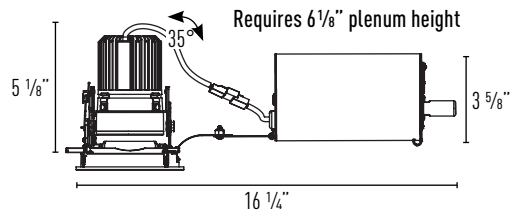
JOB NAME		CATALOG NUMBER	
NOTES		TYPE	

**DRIVER:** Non-Dimming / DELV / D10



Ceiling Cut Out: 4 1/8"  
 Minimum Ceiling Thickness: 5/16"  
 Maximum Ceiling Thickness: 3/4"

**DRIVER:** eldoLED / Lutron / DMX



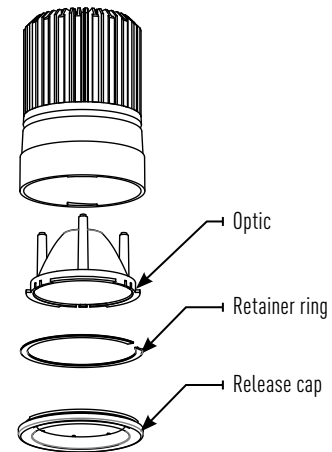
Ceiling Cut Out: 4 1/8"  
 Minimum Ceiling Thickness: 5/16"  
 Maximum Ceiling Thickness: 3/4"

## OPTICS REPLACEMENT

1. Rotate release cap by turning counter clockwise.
2. Install accessories into accessory holder and replace accessory holder's retaining clip.
3. Place accessory holder and accessory flush against optic and replace release cap.

### Optics

- IP-OP4724 (24° Narrow Flood)
- IP-OP4736 (30° Flood)
- IP-OP4750 (45° Wide Flood)



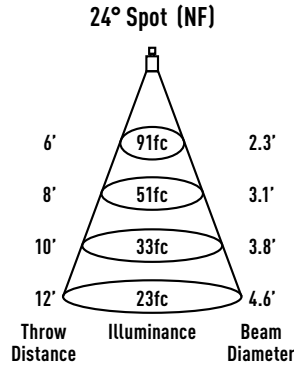
JOB NAME		CATALOG NUMBER	
NOTES		TYPE	

## MXTG2-RTRR302WWD1-CR

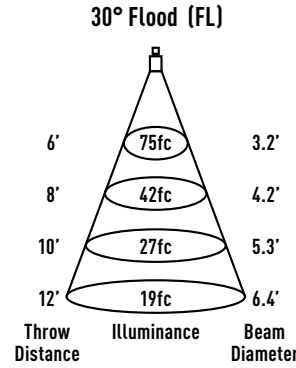
**REPORT #:**  
 ILL20180913-15.001 (24)  
 ILL20180917-6.001 (30)  
 ILL20180919-6.001 (45)

**TRIM MULTIPLIERS:**  
 MXTG2-RTRR302 (x 1.00)

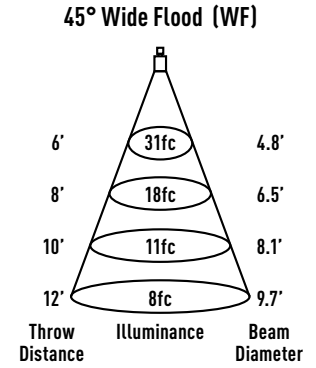
**LENS MULTIPLIERS:**  
 Solite (x 0.92)  
 Clear (x 1.00)  
 Frosted (x 0.92)



**Watts:** 13.5  
**Lumens:** 498  
**LPW:** 37  
**CCT:** 3000K



**Watts:** 13.5  
**Lumens:** 777  
**LPW:** 58  
**CCT:** 3000K



**Watts:** 13.5  
**Lumens:** 631  
**LPW:** 47  
**CCT:** 3000K

Intensity	
Degree	Candela
0°	3263
5°	2814
15°	756
25°	55
35°	7
45°	4

Intensity	
Degree	Candela
0°	2683
5°	2541
15°	1335
25°	300
35°	40
45°	7

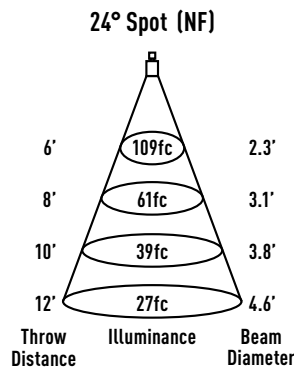
Intensity	
Degree	Candela
0°	1125
5°	1098
15°	862
25°	418
35°	124
45°	16

## MXTG2-RTRR302WWD2-CR

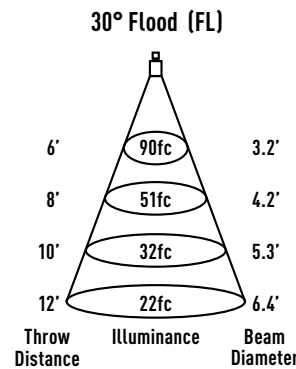
**REPORT #:**  
 ILL20180913-15.002 (24)  
 ILL20180917-6.002 (30)  
 ILL20180919-6.002 (45)

**TRIM MULTIPLIERS:**  
 MXTG2-RTRR302 (x 1.00)

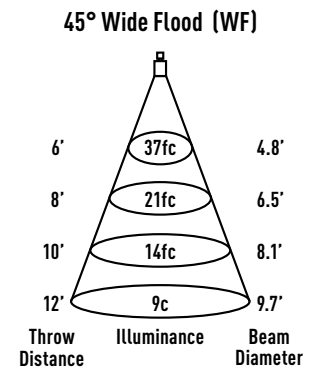
**LENS MULTIPLIERS:**  
 Solite (x 0.92)  
 Clear (x 1.00)  
 Frosted (x 0.92)



**Watts:** 16.4  
**Lumens:** 600  
**LPW:** 37  
**CCT:** 3000K



**Watts:** 16.4  
**Lumens:** 936  
**LPW:** 62  
**CCT:** 3000K



**Watts:** 16.4  
**Lumens:** 761  
**LPW:** 46  
**CCT:** 3000K

Intensity	
Degree	Candela
0°	3931
5°	3391
15°	911
25°	67
35°	8
45°	4

Intensity	
Degree	Candela
0°	3233
5°	3062
15°	1609
25°	361
35°	49
45°	9

Intensity	
Degree	Candela
0°	1355
5°	1323
15°	1039
25°	504
35°	150
45°	19