

# MXRG2ARTR

## 3.5" MX G2 Warm Dim LED Lensed Pinhole with Remodel Housing - Wet Location

<b>JOB NAME</b>		<b>CATALOG NUMBER</b>	
<b>NOTES</b>		<b>TYPE</b>	

### ELECTRICAL DATA

LED Light Engine	System	CCT / CRI	Delivered Lumens **
WD1	13.5W	3000K-1800K / 92 CRI	700lm
WD2	16.5W	3000K-1800K / 92 CRI	850lm

\* System Wattage includes driver and LED Module consumption.

\*\* Delivered lumens will vary depending on trim, CCT, CRI, optic and ceiling thickness

### FEATURES

- Halogen style profile that warms as it dims
- 3000K at full intensity to 1800K at lowest dim level
- Multiple architectural trim options available
- Field changeable optics: 24°, 30°, 45°

### LED LIGHT ENGINE

- 3000K to 1800K programmable tuning at 92 CRI
- 50,000 hours L70 (rated life at 70% output)

### ELECTRICAL SYSTEM

- (Non-IC) 120V or 277V input; Power factor >.9 50/60Hz
- This product complies with IEEE C62.41 for surge endurance up to 2.5KV. Additional surge protection recommended. Damage from power surge is not covered by warranty.

### DIMMING

- 0-10V Dimming 1%
- Phase dimming, forward 1% & reversed 5% (120V only)
- EldoLED 0-10V 0.1% or 1%
- Lutron® LDE1 Hi-Lume 1% EcoSystem LED driver with Soft-on, Fade-to-Black dimming technology
- Lutron® LTEA2W Hi-Lume 1% 2-Wire LED driver (120V forward phase only)
- DMX512 RDM 0.1%

### HOUSING

High quality die-casted collar with high strength stainless steel swing out lugs. Driver swivels 90° to accommodate tight spaces.

### TRIM SPECIFICATION

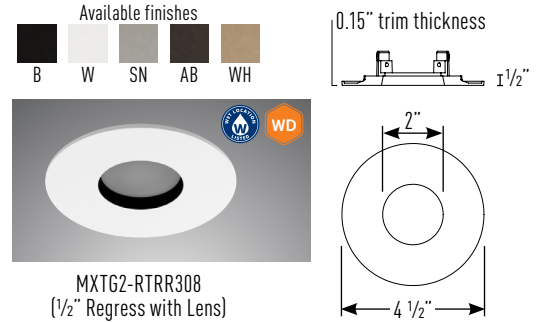
Aiming with locking 35° vertical and 360° horizontal adjustment. High quality trims are die-cast using A380 aluminum with durable powder coat available in multiple finishes, black interior standard. Trim is available with solite, clear tempered or frosted lens, must specify.

### INSTALLATION

Housing installs from below the ceiling. Swing out lugs allow for installation in ceilings between 5/16" and 3/4". Max. ambient temperature: 131°F (55°C). Housing is Non-IC rated, must be kept at a minimum of 3" away from insulation.

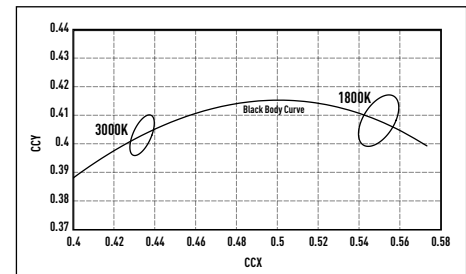
### LISTING / WARRANTY

- 5-Year Intense LED Limited Warranty
- ETL listed to US and Canadian standards for wet locations



MXTG2-RTRR308  
(1/2" Regress with Lens)

### Available Trim Finishes



### Housing Part Number (Example: MXRG2ARTR-NCWD1-DIM)

Housing	Installation Type	Wattage	Dimming	Voltage
MXRG2ARTR	-NC (Non-IC)	WD1 (13.5W)	DIM <sup>1</sup>	blank (120V Only)
			D101	27 (277V Only)
		WD2 (16.5W)	ED10V1	
			ED10V01	
		LUT		
		LUT2 <sup>1</sup>		
		DMXR <sup>2</sup>		

### Trim Part Number (Example: MXTG2-RTRR308WL13024-SL)

Trim	Finish	Wattage	Optic	Lens
MXTG2-RTRR308 (1/2" Regress)	B (Black)	WD1 (13.5W)	NF (24° Narrow Flood)	-SL (Solite)
	W (White)	WD2 (16.5W)	FL (30° Flood)	-CR (Clear Tempered)
	SN (Satin Nickel)		WF (45° Wide Flood)	-FR (Frosted)
	AB (Antique Bronze)			
	WH (Wheat)			

- Notes:**
- Available in 120V only
  - Not available with WD1

MX AD JUSTABLE REMODEL L/M-116/19 P-10

INTENSE LIGHTING | 3340 E La Palma Ave, Anaheim, CA 92806 | tel 714 630-9877 | fax 714 630-9883

For Intense Lighting's limited product warranty, go to [www.intenselight.com](http://www.intenselight.com). For a printed copy of the warranty, you may call 800 961-5321.

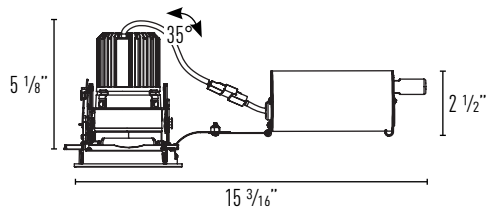
© 2019 Intense Lighting, LLC. All rights reserved. Note: This document is subject to change without notice.

# MXRG2ARTR

3.5" MX G2 Warm Dim LED Lensed Pinhole with Remodel Housing - Wet Location

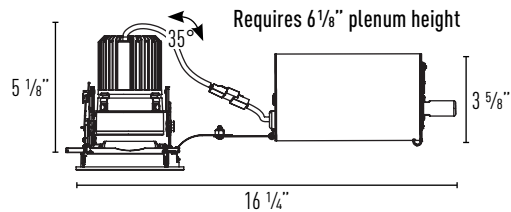
JOB NAME		CATALOG NUMBER	
NOTES		TYPE	

**DRIVER:** Non-Dimming / DELV / D10



Ceiling Cut Out: 4 1/8"  
 Minimum Ceiling Thickness: 5/16"  
 Maximum Ceiling Thickness: 3/4"

**DRIVER:** eldoLED / Lutron / DMX



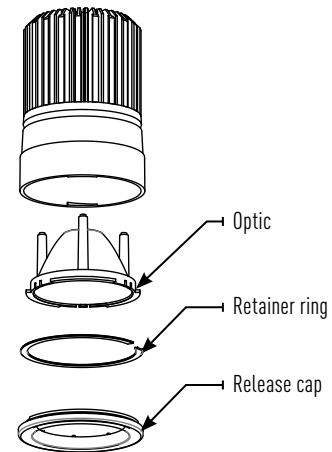
Ceiling Cut Out: 4 1/8"  
 Minimum Ceiling Thickness: 5/16"  
 Maximum Ceiling Thickness: 3/4"

## OPTICS REPLACEMENT

1. Rotate release cap by turning counter clockwise.
2. Install accessories into accessory holder and replace accessory holder's retaining clip.
3. Place accessory holder and accessory flush against optic and replace release cap.

### Optics

- IP-OP4724 (24° Narrow Flood)
- IP-OP4736 (30° Flood)
- IP-OP4750 (45° Wide Flood)



JOB NAME		CATALOG NUMBER	
NOTES		TYPE	

## MXTG2-RTRR308WWD1-CR

### REPORT #:

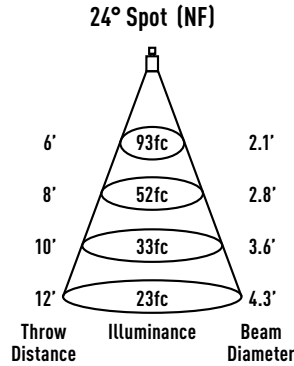
ILL20180913-17.001 (24)  
ILL20180917-8.001 (30)  
ILL20180919-8.001 (45)

### TRIM MULTIPLIERS:

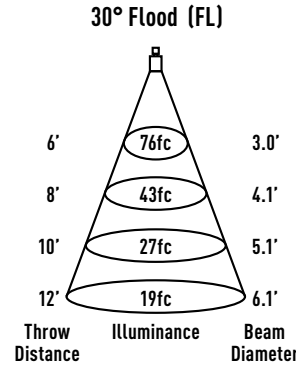
MXTG2-RTRR308 (x 1.00)  
MXTG2-RFRR308 (x 1.00)

### LENS MULTIPLIERS:

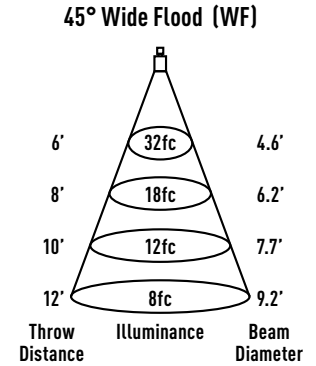
Solite (x 0.92)  
Clear (x 1.00)  
Frosted (x 0.92)



Watts: 13.5  
Lumens: 436  
LPW: 32  
CCT: 3000K



Watts: 13.5  
Lumens: 736  
LPW: 55  
CCT: 3000K



Watts: 13.5  
Lumens: 615  
LPW: 46  
CCT: 3000K

Intensity	
Degree	Candela
0°	3332
5°	2786
15°	579
25°	34
35°	5
45°	2

Intensity	
Degree	Candela
0°	2741
5°	2570
15°	1249
25°	269
35°	38
45°	5

Intensity	
Degree	Candela
0°	1145
5°	1116
15°	863
25°	387
35°	99
45°	9

## MXTG2-RTRR308WWD2-CR

### REPORT #:

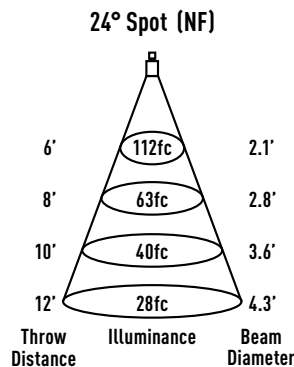
ILL20180913-17.002 (24)  
ILL20180917-8.002 (30)  
ILL20180919-8.002 (45)

### TRIM MULTIPLIERS:

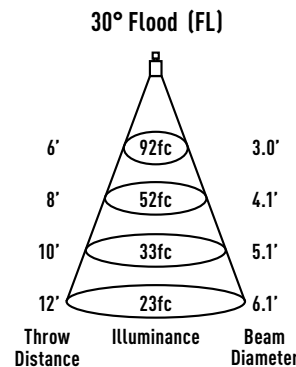
MXTG2-RTRR308 (x 1.00)  
MXTG2-RFRR308 (x 1.00)

### LENS MULTIPLIERS:

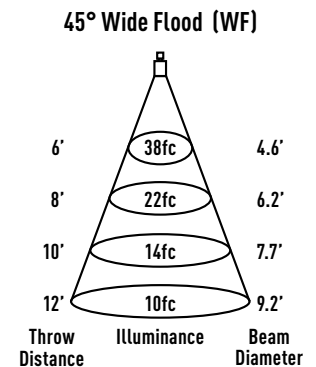
Solite (x 0.92)  
Clear (x 1.00)  
Frosted (x 0.92)



Watts: 16.4  
Lumens: 525  
LPW: 32  
CCT: 3000K



Watts: 16.4  
Lumens: 886  
LPW: 54  
CCT: 3000K



Watts: 16.4  
Lumens: 741  
LPW: 45  
CCT: 3000K

Intensity	
Degree	Candela
0°	4014
5°	3357
15°	698
25°	41
35°	6
45°	3

Intensity	
Degree	Candela
0°	3303
5°	3097
15°	1505
25°	324
35°	46
45°	6

Intensity	
Degree	Candela
0°	1380
5°	1344
15°	1040
25°	466
35°	120
45°	11