

MXRG2ARTR

3.5" MX G2 Warm Dim LED Pinhole with Remodel Housing

JOB NAME		CATALOG NUMBER	
NOTES		TYPE	

ELECTRICAL DATA

LED Light Engine	System	CCT / CRI	Delivered Lumens **
WD1	13.5W	3000K-1800K / 92 CRI	800lm
WD2	16.5W	3000K-1800K / 92 CRI	950lm

* System Wattage includes driver and LED Module consumption.

** Delivered lumens will vary depending on trim, CCT, CRI, optic and ceiling thickness

FEATURES

- Halogen style profile that warms as it dims
- 3000K at full intensity to 1800K at lowest dim level
- Multiple architectural trim options available
- Field changeable optics: 24°, 30°, 45°

LED LIGHT ENGINE

- 3000K to 1800K programmable tuning at 92 CRI
- 50,000 hours L70 (rated life at 70% output)

ELECTRICAL SYSTEM

- (Non-IC) 120V or 277V input; Power factor >.9 50/60Hz
- This product complies with IEEE C62.41 for surge endurance up to 2.5KV. Additional surge protection recommended. Damage from power surge is not covered by warranty.

DIMMING

- 0-10V Dimming 1%
- Phase dimming, forward 1% & reversed 5% (120V only)
- EldoLED 0-10V 0.1% or 1%
- Lutron® LDE1 Hi-Lume 1% EcoSystem LED driver with Soft-on, Fade-to-Black dimming technology
- Lutron® LTEA2W Hi-Lume 1% 2-Wire LED driver (120V forward phase only)
- DMX512 RDM 0.1%

HOUSING

High quality die-casted collar with high strength stainless steel swing out lugs. Driver swivels 90° to accommodate tight spaces.

TRIM SPECIFICATION

Aiming with locking 35° vertical and 360° horizontal adjustment. High quality trims are die-cast using A380 aluminum with durable powder coat available in multiple finishes, black interior standard. Trim available in 1" regress for greater visual comfort or 1/2" regress for consistent look throughout space.

INSTALLATION

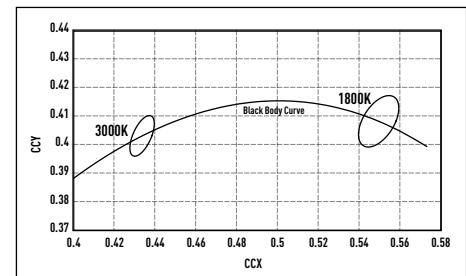
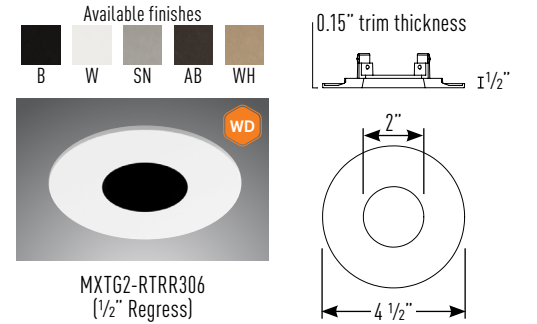
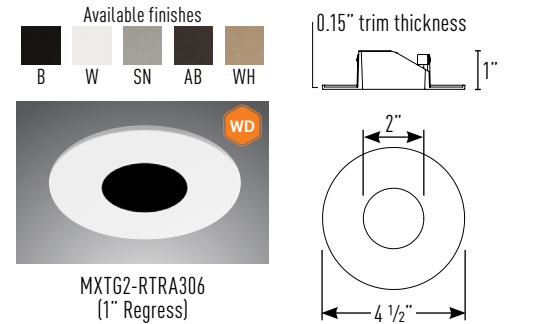
Housing installs from below the ceiling. Swing out lugs allow for installation in ceilings between 5/16" and 3/4". Max. ambient temperature: 131°F (55°C). Housing is Non-IC rated, must be kept at a minimum of 3" away from insulation.

ACCESSORIES

Luminaire will accommodate (2) accessories, accessory holder required, see page 2.

LISTING / WARRANTY

- 5-Year Intense LED Limited Warranty
- ETL listed to US and Canadian standards for damp locations



Housing Part Number (Example: MXRG2ARTR-NCWD1)

Housing	Installation Type	Wattage	Dimming	Voltage
MXRG2ARTR	-NC (Non-IC)	WD1 (13.5W)	DIM ¹ (Phase Dimming)	blank (120V Only)
		WD2 (16.5W)	D101 (0-10V Dimming 1%) ED10V1 (eldoLED 0-10V 1%) ED10V01 (eldoLED 0-10V 0.1%) LUT (Lutron® LDE1 EcoSystem 1%) LUT2 ¹ (Lutron® LTEA2W 2-Wire 1%) DMXR ² (DMX512 RDM 0.1%)	27 (277V Only)

Trim Part Number (Example: MXTG2-RTRA306W-SFWD1NF)

Trim	Finish	Wattage	Optic
MXTG2-RTRA306 (1" Regress)	B (Black)	WD1 (13.5W) WD2 (16.5W)	NF (24° Narrow Flood)
	W (White)		FL (30° Flood)
MXTG2-RTRR306 (1/2" Regress)	SN (Satin Nickel)	WD1 (13.5W) WD2 (16.5W)	WF (45° Wide Flood)
	AB (Antique Bronze)		
	WH (Wheat)		

- Notes:**
- Available in 120V only
 - Not available with WD1

MX AD JUSTABLE REMODEL L/M-116/19 P-7

INTENSE LIGHTING | 3340 E La Palma Ave, Anaheim, CA 92806 | tel 714 630-9877 | fax 714 630-9883

For Intense Lighting's limited product warranty, go to www.intenselight.com. For a printed copy of the warranty, you may call 800 961-5321.

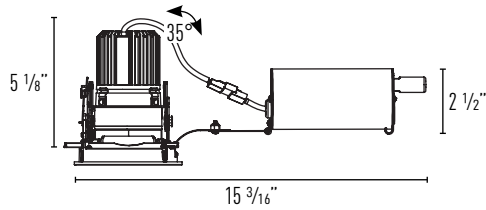
© 2019 Intense Lighting, LLC. All rights reserved. Note: This document is subject to change without notice.

MXRG2ARTR

3.5" MX G2 Warm Dim LED Pinhole with Remodel Housing

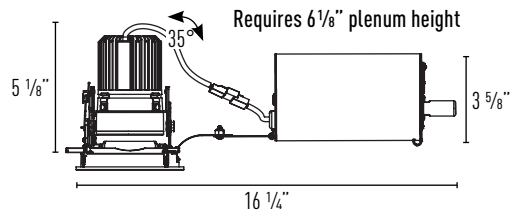
JOB NAME		CATALOG NUMBER	
NOTES		TYPE	

DRIVER: Non-Dimming / DELV / D10



Ceiling Cut Out: 4 1/8"
 Minimum Ceiling Thickness: 5/16"
 Maximum Ceiling Thickness: 3/4"

DRIVER: eldoLED / Lutron / DMX



Ceiling Cut Out: 4 1/8"
 Minimum Ceiling Thickness: 5/16"
 Maximum Ceiling Thickness: 3/4"

ACCESSORIES

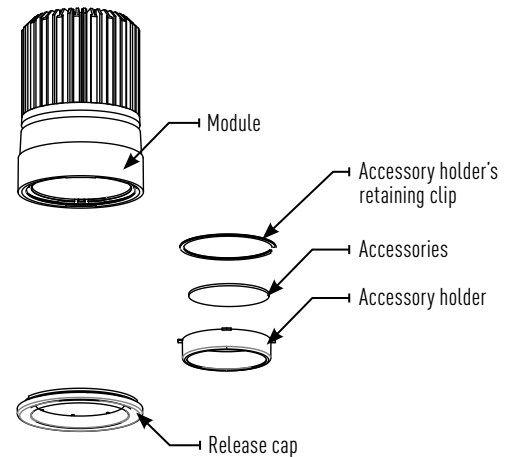
Luminaire will accommodate (2) accessories, accessory holder required.

INSTALLATION

1. Rotate release cap by turning counter clockwise.
2. Install accessories into accessory holder and replace accessory holder's retaining clip.
3. Place accessory holder and accessory flush against optic and replace release cap.

Accessories

LH47	(Accessory Holder, Black)
LH47W	(Accessory Holder, White)
PFLMB-47	(Hex Louver, Black)
PFL1-47	(Prismatic Spread Lens)
PFL2-47	(Linear Spread Lens)
PFL4-47	(Soft Focus Lens)

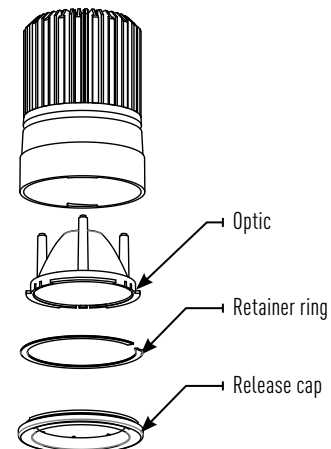


OPTICS REPLACEMENT

1. Rotate release cap by turning counter clockwise.
2. Install accessories into accessory holder and replace accessory holder's retaining clip.
3. Place accessory holder and accessory flush against optic and replace release cap.

Optics

IP-OP4724	(24° Narrow Flood)
IP-OP4736	(30° Flood)
IP-OP4750	(45° Wide Flood)



MX ADJUSTABLE REMODEL L/M-116-119 P-8

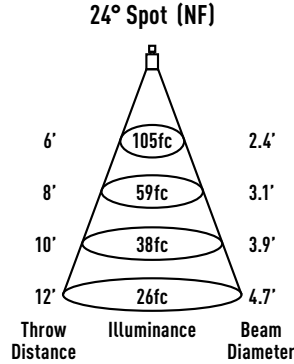
INTENSE LIGHTING | 3340 E La Palma Ave, Anaheim, CA 92806 | tel 714 630-9877 | fax 714 630-9883
 For Intense Lighting's limited product warranty, go to www.intenselighting.com. For a printed copy of the warranty, you may call 800 961-5321.
 © 2019 Intense Lighting, LLC. All rights reserved. Note: This document is subject to change without notice.

JOB NAME		CATALOG NUMBER	
NOTES		TYPE	

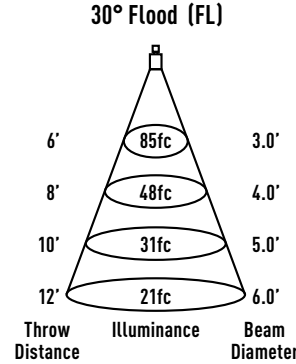
MXTG2-RTRA306WWD1

REPORT #:
 ILL20180913-12.001 (24)
 ILL20180917-3.001 (30)
 ILL20180919-3.001 (45)

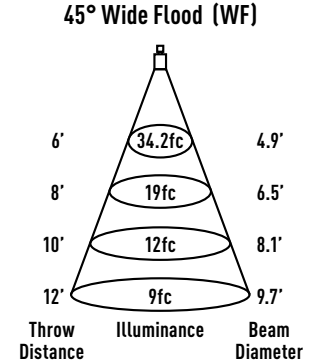
TRIM MULTIPLIERS:
 MXTG2-RTRD306 (x 1.00)
 MXTG2-RTRR306 (x 0.98)



Watts: 13.5
Lumens: 593
LPW: 44
CCT: 3000K



Watts: 13.5
Lumens: 767
LPW: 57
CCT: 3000K



Watts: 13.5
Lumens: 687
LPW: 51
CCT: 3000K

Intensity	
Degree	Candela
0°	3788
5°	3351
15°	894
25°	76
35°	9
45°	3

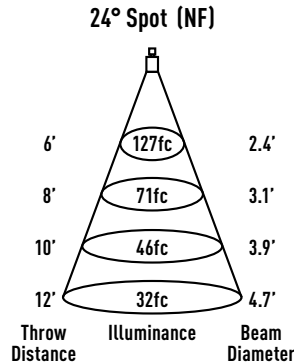
Intensity	
Degree	Candela
0°	3060
5°	2927
15°	1329
25°	270
35°	37
45°	3

Intensity	
Degree	Candela
0°	1233
5°	1208
15°	963
25°	458
35°	130
45°	12

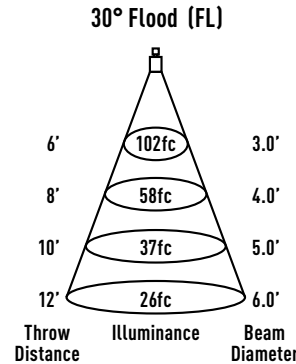
MXTG2-RTRA306WWD2

REPORT #:
 ILL20180913-12.002 (24)
 ILL20180917-3.002 (30)
 ILL20180919-3.002 (45)

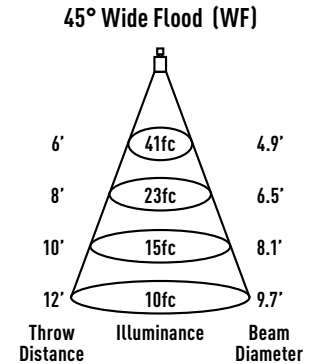
TRIM MULTIPLIERS:
 MXTG2-RTRD306 (x 1.00)
 MXTG2-RTRR306 (x 0.98)



Watts: 16.4
Lumens: 715
LPW: 44
CCT: 3000K



Watts: 16.4
Lumens: 960
LPW: 59
CCT: 3000K



Watts: 16.4
Lumens: 828
LPW: 50
CCT: 3000K

Intensity	
Degree	Candela
0°	4564
5°	4037
15°	1077
25°	91
35°	11
45°	4

Intensity	
Degree	Candela
0°	3687
5°	3527
15°	1601
25°	326
35°	44
45°	3

Intensity	
Degree	Candela
0°	1485
5°	1455
15°	1160
25°	552
35°	157
45°	15