

MXRG2DRTR

3.5" MX G2 Warm Dim LED Lensed Downlight with Remodel Housing - Wet Location

JOB NAME		CATALOG NUMBER	
NOTES		TYPE	

ELECTRICAL DATA

LED Light Engine	System	CCT / CRI	Delivered Lumens **
WD1	13.5W	3000K-1800K / 92 CRI	850lm
WD2	16.5W	3000K-1800K / 92 CRI	1000lm

* System Wattage includes driver and LED Module consumption.

** Delivered lumens will vary depending on trim, CCT, CRI, optic and ceiling thickness

FEATURES

- Halogen style profile that warms as it dims
- 3000K at full intensity to 1800K at lowest dim level
- Multiple architectural trim options available
- Field changeable optics: 24°, 30°, 45°

LED LIGHT ENGINE

- 3000K to 1800K programmable tuning at 92 CRI
- 50,000 hours L70 (rated life at 70% output)

ELECTRICAL SYSTEM

- 120V or 277V input; Power factor >.9 50/60Hz
- This product complies with IEEE C62.41 for surge endurance up to 2.5KV. Additional surge protection recommended. Damage from power surge is not covered by warranty.

DIMMING

- Phase dimming, forward 1% & reversed 5% (120V only)
- 0-10V Dimming 1%
- EldoLED 0-10V 0.1% or 1%
- Lutron® LDE1 Hi-Lume 1% EcoSystem LED driver with Soft-on, Fade-to-Black dimming technology
- Lutron® LTEA2W Hi-Lume 1% 2-Wire LED driver (120V forward phase only)
- DMX512 RDM 0.1%

HOUSING

High quality die-casted collar with high strength stainless steel swing out lugs. Driver swivels 90° to accommodate tight spaces.

TRIM SPECIFICATION

High quality die-cast A380 aluminum trims with durable powder coat finishes. Architectural, discrete self flange or painted white flange options available. Trim is available with solite, clear tempered or frosted lens, must specify. Trims available in 1 1/2" regress for greater visual comfort or 1/2" regress for consistent look throughout space.

INSTALLATION

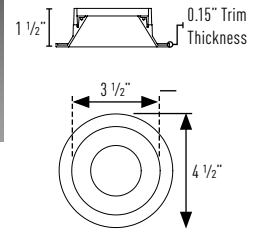
Frame-in installs from below the ceiling. Swing out lugs allow for installation in ceilings between 5/16" and 3/4". Max. ambient temperature: 131°F (55°C). Housing is Non-IC rated, must be kept at a minimum of 3" away from insulation.

LISTING / WARRANTY

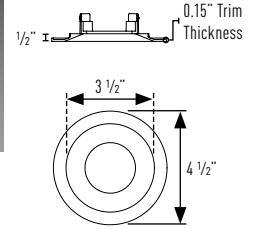
- 5-Year Intense LED Limited Warranty
- ETL listed to US and Canadian standards for damp locations



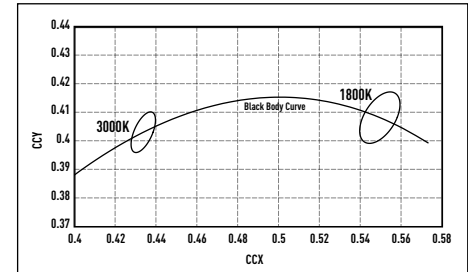
MXTG2-RTRD302
(1 1/2" Regress with Lens)



MXTG2-RTRR302
(1/2" Regress with Lens)



Available Trim Finishes



Housing Part Number (Example: MXRG2DRTR-NCWD1-DIM)

Housing	Installation Type	Wattage	Dimming	Voltage
MXRG2DRTR	-NC (Non-IC)	WD1 (13.5W)	DIM ¹	(Phase Dimming) blank (120V)
			D101	(0-10V Dimming 1%) 27 (277V)
		WD2 (16.5W)	ED10V1	(eldoLED 0-10V 1%)
			ED10V01	(eldoLED 0-10V 0.1%)
		LUT	(Lutron® LDE1 EcoSystem 1%)	
		LUT2 ¹	(Lutron® LTEA2W 2-Wire 1%)	
DMXR ²	(DMX512 RDM 0.1%)			

Trim Part Number (Example: MXTG2-RTRD302W-SFWD1NF-SL)

Trim	Finish	Wattage	Optic	Lens
MXTG2-RTRD302 (1 1/2" Regress)	B-SF	(Black / Self Flanged) WD1 (13.5W)	NF (24° Narrow Flood)	-SL (Solite)
	B-SFW	(Black / Self Flanged White) WD2 (16.5W)	FL (30° Flood)	-CR (Clear Tempered)
MXTG2-RTRR302 (1/2" Regress)	W-SF	(White / Self Flanged)	WF (45° Wide Flood)	-FR (Frosted)
	SN-SF	(Satin Nickel / Self Flanged)		
	SN-SFW ³	(Satin Nickel / Self Flanged White)		
	AB-SF	(Antique Bronze / Self Flanged)		
	AB-SFW ³	(Antique Bronze / Self Flanged White)		
WH-SF	(Wheat / Self Flanged)			
WH-SFW ³	(Wheat / Self Flanged White)			

Notes:

- Available in 120V only
- DMX512 RDM not available in WD1
- Consult factory for lead times

MX DOWNLIGHTING REMODEL L/M-111139 P-4

INTENSE LIGHTING | 3340 E La Palma Ave, Anaheim, CA 92806 | tel 714 630-9877 | fax 714 630-9883

For Intense Lighting's limited product warranty, go to www.intenselight.com. For a printed copy of the warranty, you may call 800 961-5321.

© 2019 Intense Lighting, LLC. All rights reserved. Note: This document is subject to change without notice.

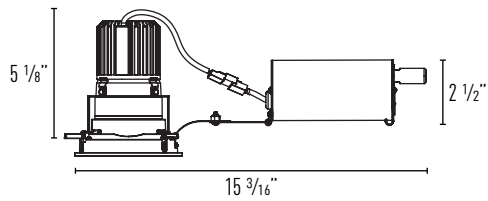


MXRG2DRTR

3.5" MX G2 Warm Dim LED Lensed Downlight with Remodel Housing - Wet Location

JOB NAME	CATALOG NUMBER
NOTES	TYPE

DRIVER: Phase / D10V

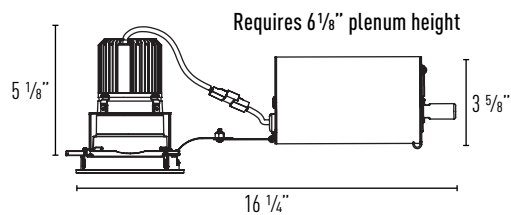


Ceiling Cut Out: 4 1/8"

Minimum Ceiling Thickness: 5/16"

Maximum Ceiling Thickness: 3/4"

DRIVER: eldoLED / Lutron / DMX



Ceiling Cut Out: 4 1/8"

Minimum Ceiling Thickness: 5/16"

Maximum Ceiling Thickness: 3/4"

OPTICS REPLACEMENT

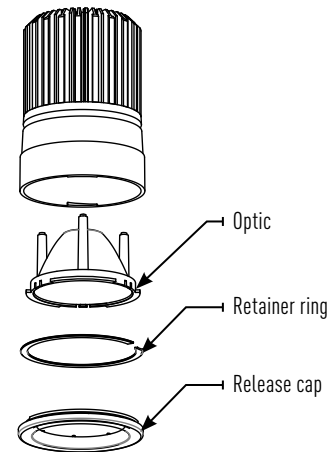
1. Rotate release cap by turning counter clockwise.
2. Install accessories into accessory holder and replace accessory holder's retaining clip.
3. Place accessory holder and accessory flush against optic and replace release cap.

Optics

IP-OP4724 (24° Narrow Flood)

IP-OP4736 (30° Flood)

IP-OP4750 (45° Wide Flood)



JOB NAME		CATALOG NUMBER	
NOTES		TYPE	

MXTG2-RTRD302WWD1-CR

REPORT #:

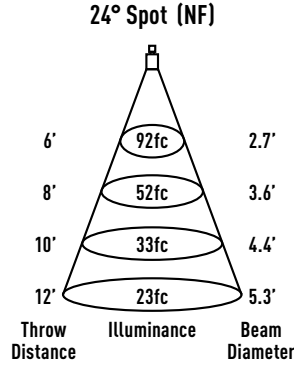
ILL20180913-11.001 (24)
ILL20180917-2.001 (30)
ILL20180919-2.001 (45)

TRIM MULTIPLIERS:

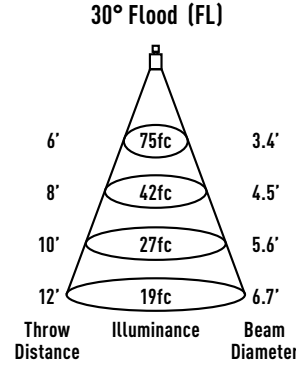
MXTG2-RTRD302 (x 1.00)
MXTG2-RTRR302 (x 0.90)

LENS MULTIPLIERS:

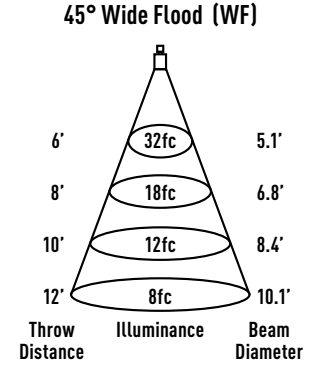
Solite (x 0.92)
Clear (x 1.00)
Frosted (x 0.92)



Watts: 13.5
Lumens: 768
LPW: 57
CCT: 3000K



Watts: 13.5
Lumens: 883
LPW: 65
CCT: 3000K



Watts: 13.5
Lumens: 752
LPW: 56
CCT: 3000K

Intensity	
Degree	Candela
0°	3296
5°	2937
15°	1229
25°	279
35°	26
45°	7

Intensity	
Degree	Candela
0°	2713
5°	2589
15°	1451
25°	409
35°	61
45°	9

Intensity	
Degree	Candela
0°	1156
5°	1130
15°	901
25°	491
35°	186
45°	49

MXTG2-RTRD302WWD2-CR

REPORT #:

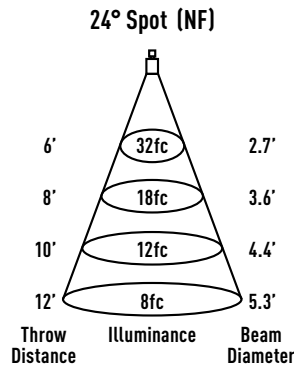
ILL20180913-11.002 (24)
ILL20180917-2.002 (30)
ILL20180919-2.002 (45)

TRIM MULTIPLIERS:

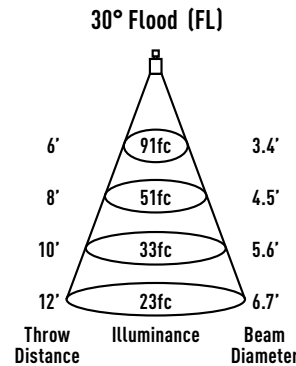
MXTG2-RTRD302 (x 1.00)
MXTG2-RTRR302 (x 0.90)

LENS MULTIPLIERS:

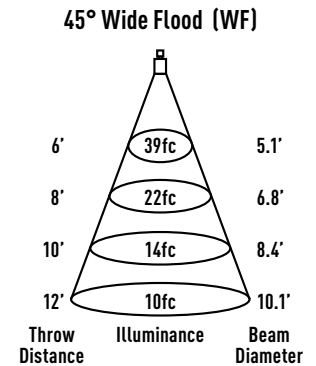
Solite (x 0.92)
Clear (x 1.00)
Frosted (x 0.92)



Watts: 16.4
Lumens: 925
LPW: 56
CCT: 3000K



Watts: 16.4
Lumens: 1064
LPW: 65
CCT: 3000K



Watts: 16.4
Lumens: 906
LPW: 55
CCT: 3000K

Intensity	
Degree	Candela
0°	1156
5°	1130
15°	901
25°	491
35°	186
45°	49

Intensity	
Degree	Candela
0°	3269
5°	3119
15°	1748
25°	493
35°	74
45°	11

Intensity	
Degree	Candela
0°	1393
5°	1361
15°	1086
25°	592
35°	224
45°	59