

# MXRG2DSTR

## 3.5" MX G2 LED Square Downlight with Remodel Housing

|          |  |                |  |
|----------|--|----------------|--|
| JOB NAME |  | CATALOG NUMBER |  |
| NOTES    |  | TYPE           |  |

### ELECTRICAL DATA

| LED Light Engine | System Wattage * | CCT / CRI      | Delivered Lumens ** | Lumens Per Watt |
|------------------|------------------|----------------|---------------------|-----------------|
| L0               | 10W              | 3000K / 82 CRI | 750lm               | 75              |
| L1               | 16W              | 3000K / 82 CRI | 1000lm              | 63              |
| L2               | 20W              | 3000K / 82 CRI | 1250lm              | 78              |
| L3               | 26W              | 3000K / 82 CRI | 1850lm              | 71              |

\*System Wattage include driver and LED Module consumption. \*\*Delivered lumens will vary depending on trim, CCT, CRI, optic and ceiling thickness

### FEATURES

- Multiple architectural trim options
- High center beam spot up to 22,600 CBCP
- Dedicated 9° with field changeable 12°, 24°, 36° & 50° optics

### LED LIGHT ENGINE

- 92 CRI & 82 CRI in 2700K, 3000K, 3500K or 4100K with ZSDCM binning
- >50,000 hours L70 (rated life at 70% output)

### ELECTRICAL SYSTEM

- Dedicated voltage options of 120V or 277V. Must be specified in catalog code
- Power factor >.95 50/60Hz This product complies with IEEE C62.41 for surge endurance up to 2.5KV. Additional surge protection recommended. Damage from power surge is not covered by warranty.

### DIMMING

- 0-10V Dimming 1%
- Forward/reverse dimming 1% (120V only)
- EldoLED 0-10V 0.1% or 1%
- Lutron® LDE1 Hi-Lume 1% EcoSystem LED driver with Soft-on, Fade-to-Black dimming technology
- DMX512 RDM 0.1%

### HOUSING

High quality die-casted collar with high strength stainless steel swing out lugs. Driver swivels 90° to accommodate tight spaces.

### TRIM SPECIFICATION

High quality die-cast A380 aluminum trims with durable powder coat finishes. Architectural, discrete self flange or painted white flange options available. Trims available in 1-1/2" regress for greater visual comfort or 1/2" regress for consistent look throughout space.

### INSTALLATION

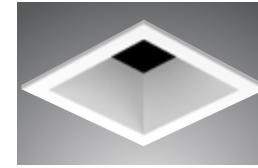
Frame-in installs from below the ceiling. Swing out lugs allow for installation in ceilings between 5/16" and 3/4". Max. ambient temperature: 95°F (35°C). Housing is Non-IC rated, must be kept at a minimum of 3" away from insulation.

### ACCESSORIES

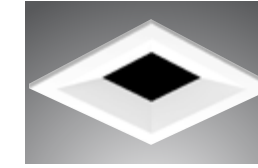
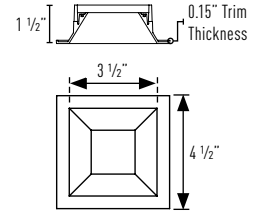
Luminaire will accommodate (2) accessories, accessory holder required, see page 2.

### LISTING / WARRANTY

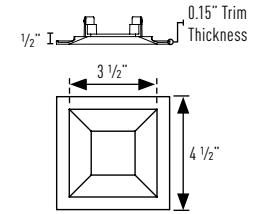
- 5-Year Intense LED Limited Warranty
- ETL listed to US and Canadian standards for damp locations
- ENERGY STAR® Qualified <sup>1</sup>
- Can be used to comply with 2016 Title 24, Part 6, JA8 high efficacy LED light source requirements <sup>2</sup>



**MXTG2-STRD300**  
(1-1/2" regress)



**MXTG2-STRR300**  
(1/2" Regress)



Housing Dimensions Are On Page 2

### Available Trim Finishes



### Housing Part Number (Example: MXRG2DSTR-NCL1)

| Housing   | Installation Type                            | Wattage  | Dimming                                   | Voltage      |
|-----------|--|----------|---|--------------|
| MXRG2DSTR | -NC (Non-IC)                                 | L0 (10W) | blank (Non-Dimming)                       | blank (120V) |
|           |  | L1 (16W) | DELV <sup>3</sup> (Phase Dimming)         | 27 (277V)    |
|           |  | L2 (20W) | D101 (0-10V Dimming 1%)                   |              |
|           |  | L3 (26W) | ED10V1 <sup>4</sup> (eldoLED 0-10V 1%)    |              |
|           |  |          | ED10V01 <sup>4</sup> (eldoLED 0-10V 0.1%) |              |
|           | LUT <sup>5</sup> (Lutron® LDE1 EcoSystem 1%) |          |   |              |
|           | DMXR <sup>6</sup> (DMX512 RDM 0.1%)          |          |   |              |

### Trim Part Number (Example: MXTG2-STRD300W-SFL13024)

| Trim                              | Finish  | Wattage              | CCT / CRI            | Optic                            |
|-----------------------------------|---|----------------------|----------------------|----------------------------------|
| MXTG2-STRD300<br>(1-1/2" regress) | W-SF (White / Self Flanged)                               | L0 (10W)             | 27 (2700K / 82 CRI)  | 09 <sup>8</sup> (9° Narrow Spot) |
|                                   | B-SF (Black / Self Flanged)                               | L1 (16W)             | 279 (2700K / 92 CRI) | 12 (12° Spot)                    |
| MXTG2-STRR300<br>(1/2" Regress)   | SN-SF (Satin Nickel / Self Flanged)                       | L2 (20W)             | 30 (3000K / 82 CRI)  | 24 (24° Narrow Flood)            |
|                                   | SN-SFW <sup>7</sup> (Satin Nickel / Self Flanged White)   | L3 (26W)             | 309 (3000K / 92 CRI) | 36 (36° Flood)                   |
|                                   | AB-SF (Antique Bronze / Self Flanged)                     |                      | 35 (3500K / 82 CRI)  | 50 (50° Wide Flood)              |
|                                   | AB-SFW <sup>7</sup> (Antique Bronze / Self Flanged White) |                      | 359 (3500K / 92 CRI) |                                  |
|                                   |   |                      | 41 (4100K / 82 CRI)  |                                  |
|                                   |   | 419 (4100K / 92 CRI) |                      |                                  |

### Notes:

- ENERGY STAR® Qualified (White reflectors only; Excludes: L2, L3, 92 CRI & 9° options)
- Excludes: L2, L3, 82 CRI & 9° options
- Available in 120V only
- Not Available in L3
- Not Available in L2 & L3
- DMX512 RDM not available in L0 & L1
- Consult factory for Lead times
- 9° NS available in 279 with L0 or L1 Only

MX DOWNLIGHTING REMODEL L/M-1005:23 P-17

INTENSE LIGHTING | 3340 E La Palma Ave, Anaheim, CA 92806 | tel 714 630-9877 | fax 714 630-9883

For Intense Lighting's limited product warranty, go to [www.intenselighting.com](http://www.intenselighting.com). For a printed copy of the warranty, you may call 800 961-5321.

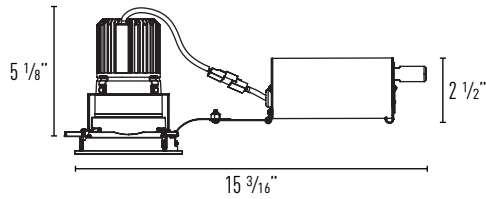
© 2023 Intense Lighting, LLC. All rights reserved. Note: This document is subject to change without notice.

# MXRG2DSTR

## 3.5" MX G2 LED Square Downlight with Remodel Housing

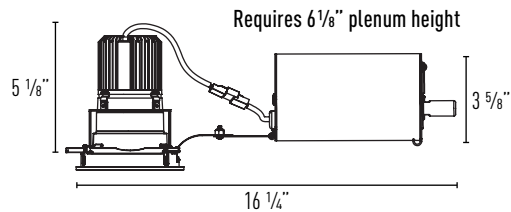
|          |  |                |  |
|----------|--|----------------|--|
| JOB NAME |  | CATALOG NUMBER |  |
| NOTES    |  | TYPE           |  |

**DRIVER:** Non-Dimming / DELV / D10



Ceiling Cut Out: 4 1/16" x 4 1/16"  
 Minimum Ceiling Thickness: 5/16"  
 Maximum Ceiling Thickness: 3/4"

**DRIVER:** eldoLED / Lutron / DMX



Ceiling Cut Out: 4 1/16" x 4 1/16"  
 Minimum Ceiling Thickness: 5/16"  
 Maximum Ceiling Thickness: 3/4"

### ACCESSORIES

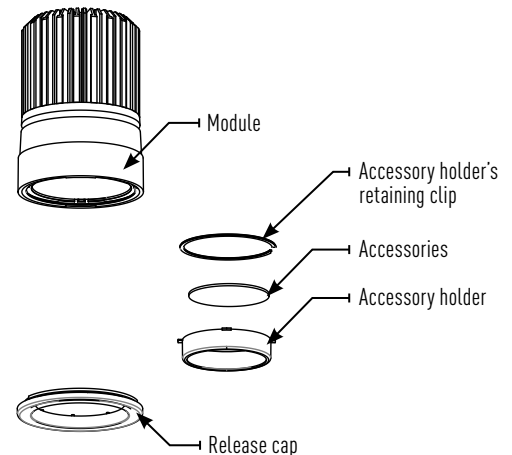
Luminaire will accommodate (2) accessories, accessory holder required.

### INSTALLATION

1. Rotate release cap by turning counter clockwise.
2. Install accessories into accessory holder and replace accessory holder's retaining clip.
3. Place accessory holder and accessory flush against optic and replace release cap.

#### Accessories

|                 |                           |
|-----------------|---------------------------|
| <b>LH47</b>     | (Accessory Holder, Black) |
| <b>LH47W</b>    | (Accessory Holder, White) |
| <b>PFLMB-47</b> | (Hex Louver, Black)       |
| <b>PFL1-47</b>  | (Prismatic Spread Lens)   |
| <b>PFL2-47</b>  | (Linear Spread Lens)      |
| <b>PFL4-47</b>  | (Soft Focus Lens)         |

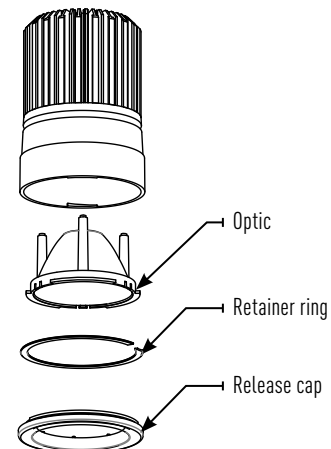


### OPTICS REPLACEMENT

1. Rotate release cap by turning counter clockwise.
2. Install accessories into accessory holder and replace accessory holder's retaining clip.
3. Place accessory holder and accessory flush against optic and replace release cap.

#### Optics

|                  |                    |
|------------------|--------------------|
| <b>IP-OP4712</b> | (12° Spot)         |
| <b>IP-OP4724</b> | (24° Narrow Flood) |
| <b>IP-OP4736</b> | (36° Flood)        |
| <b>IP-OP4750</b> | (50° Wide Flood)   |



MX DOWNLIGHTING REMODEL L/M-1005:23 P-18

INTENSE LIGHTING | 3340 E La Palma Ave, Anaheim, CA 92806 | tel 714 630-9877 | fax 714 630-9883

For Intense Lighting's limited product warranty, go to [www.intenselight.com](http://www.intenselight.com). For a printed copy of the warranty, you may call 800 961-5321.

© 2023 Intense Lighting, LLC. All rights reserved. Note: This document is subject to change without notice.

|          |  |                |  |
|----------|--|----------------|--|
| JOB NAME |  | CATALOG NUMBER |  |
| NOTES    |  | TYPE           |  |

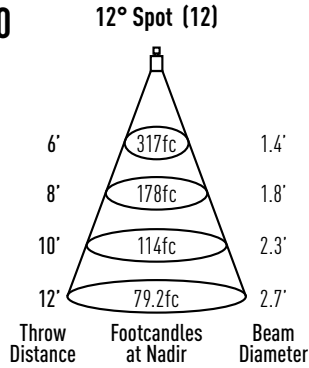
## MXTG2-STRD300WLO

Report #: ILL-02102016-10.1 (12)  
 ILL-02102016-09.1 (24)  
 ILL-02182016-03.1 (36)  
 ILL-02122016-05.1 (50)

**TRIM MULTIPLIER:**  
 MXTG2-STRR300 (x 0.93)

**CCT MULTIPLIERS:**

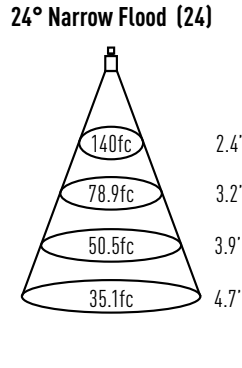
|       |               |               |
|-------|---------------|---------------|
|       | <b>82 CRI</b> | <b>92 CRI</b> |
| 2700K | (x 0.93)      | (x 0.76)      |
| 3000K | (x 1.00)      | (x 0.87)      |
| 3500K | (x 1.00)      | (x 0.87)      |
| 4100K | (x 1.00)      | (x 0.87)      |



Watts: 10  
 Lumens: 666  
 LPW: 67  
 CCT: 3000K

**Candelas at Nadir**

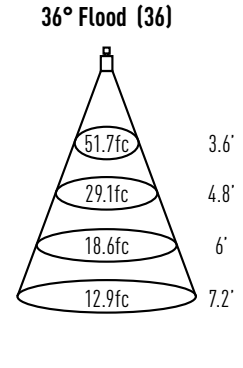
| Degree | CBCP  |
|--------|-------|
| 0°     | 11399 |
| 5°     | 6289  |
| 15°    | 419   |
| 25°    | 93    |
| 35°    | 34    |
| 45°    | 5     |



Watts: 10  
 Lumens: 768  
 LPW: 77  
 CCT: 3000K

**Candelas at Nadir**

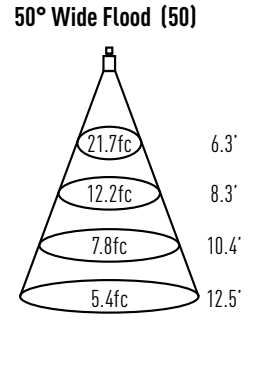
| Degree | CBCP |
|--------|------|
| 0°     | 5047 |
| 5°     | 4180 |
| 15°    | 1131 |
| 25°    | 142  |
| 35°    | 20   |
| 45°    | 3    |



Watts: 10  
 Lumens: 777  
 LPW: 78  
 CCT: 3000K

**Candelas at Nadir**

| Degree | CBCP |
|--------|------|
| 0°     | 1860 |
| 5°     | 1892 |
| 15°    | 1318 |
| 25°    | 473  |
| 35°    | 85   |
| 45°    | 7    |



Watts: 10  
 Lumens: 700  
 LPW: 70  
 CCT: 3000K

**Candelas at Nadir**

| Degree | CBCP |
|--------|------|
| 0°     | 780  |
| 5°     | 778  |
| 15°    | 727  |
| 25°    | 464  |
| 35°    | 193  |
| 45°    | 54   |

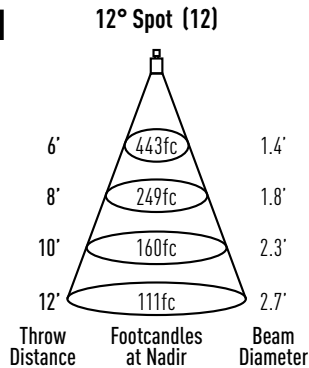
## MXTG2-STRD300WL1

Report #: ILL-02102016-10.2 (12)  
 ILL-02102016-09.2 (24)  
 ILL-02182016-03.2 (36)  
 ILL-02122016-05.2 (50)

**TRIM MULTIPLIER:**  
 MXTG2-STRR300 (x 0.93)

**CCT MULTIPLIERS:**

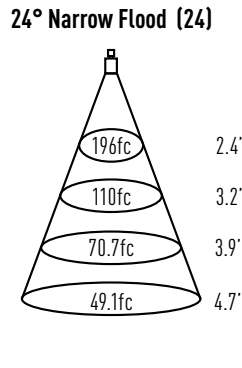
|       |               |               |
|-------|---------------|---------------|
|       | <b>82 CRI</b> | <b>92 CRI</b> |
| 2700K | (x 0.93)      | (x 0.76)      |
| 3000K | (x 1.00)      | (x 0.87)      |
| 3500K | (x 1.00)      | (x 0.87)      |
| 4100K | (x 1.00)      | (x 0.87)      |



Watts: 15.5  
 Lumens: 933  
 LPW: 60  
 CCT: 3000K

**Candelas at Nadir**

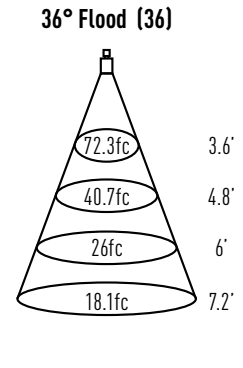
| Degree | CBCP  |
|--------|-------|
| 0°     | 15959 |
| 5°     | 8805  |
| 15°    | 587   |
| 25°    | 130   |
| 35°    | 48    |
| 45°    | 7     |



Watts: 15.4  
 Lumens: 1075  
 LPW: 70  
 CCT: 3000K

**Candelas at Nadir**

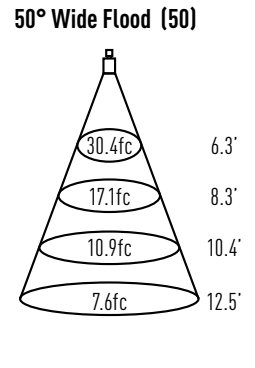
| Degree | CBCP |
|--------|------|
| 0°     | 7066 |
| 5°     | 5852 |
| 15°    | 1583 |
| 25°    | 199  |
| 35°    | 28   |
| 45°    | 4    |



Watts: 15.6  
 Lumens: 1087  
 LPW: 70  
 CCT: 3000K

**Candelas at Nadir**

| Degree | CBCP |
|--------|------|
| 0°     | 2605 |
| 5°     | 2648 |
| 15°    | 1845 |
| 25°    | 662  |
| 35°    | 120  |
| 45°    | 10   |



Watts: 15.5  
 Lumens: 980  
 LPW: 63  
 CCT: 3000K

**Candelas at Nadir**

| Degree | CBCP |
|--------|------|
| 0°     | 1093 |
| 5°     | 1090 |
| 15°    | 1018 |
| 25°    | 650  |
| 35°    | 271  |
| 45°    | 76   |

|          |  |                |  |
|----------|--|----------------|--|
| JOB NAME |  | CATALOG NUMBER |  |
| NOTES    |  | TYPE           |  |

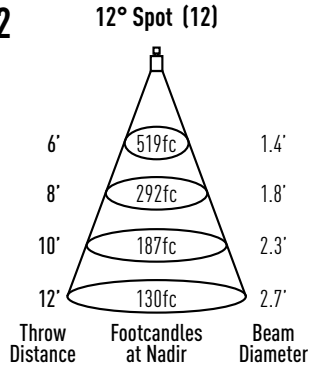
## MXTG2-STRD300WL2

Report #: ILL-02102016-10.1 (12)  
 ILL-02102016-09.1 (24)  
 ILL-02182016-03.1 (36)  
 ILL-02122016-05.1 (50)

**TRIM MULTIPLIER:**  
 MXTG2-STRD300 (x 0.93)

**CCT MULTIPLIERS:**

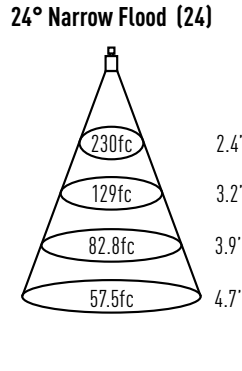
|       |               |               |
|-------|---------------|---------------|
|       | <b>82 CRI</b> | <b>92 CRI</b> |
| 2700K | (x 0.93)      | (x 0.76)      |
| 3000K | (x 1.00)      | (x 0.87)      |
| 3500K | (x 1.00)      | (x 0.87)      |
| 4100K | (x 1.00)      | (x 0.87)      |



Watts: 20.5  
 Lumens: 1093  
 LPW: 53  
 CCT: 3000K

**Candelas at Nadir**

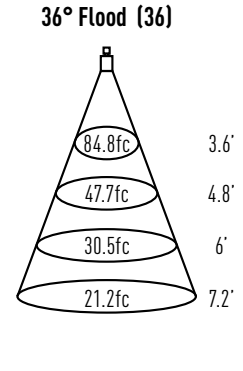
| Degree | CBCP  |
|--------|-------|
| 0°     | 18695 |
| 5°     | 10314 |
| 15°    | 687   |
| 25°    | 152   |
| 35°    | 56    |
| 45°    | 8     |



Watts: 20.5  
 Lumens: 1260  
 LPW: 61  
 CCT: 3000K

**Candelas at Nadir**

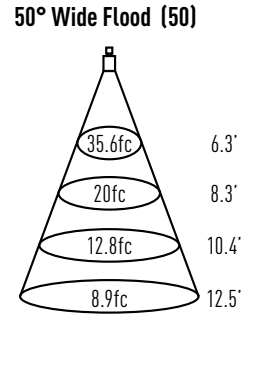
| Degree | CBCP |
|--------|------|
| 0°     | 8277 |
| 5°     | 6856 |
| 15°    | 1855 |
| 25°    | 233  |
| 35°    | 32   |
| 45°    | 5    |



Watts: 20.4  
 Lumens: 1274  
 LPW: 62  
 CCT: 3000K

**Candelas at Nadir**

| Degree | CBCP |
|--------|------|
| 0°     | 3051 |
| 5°     | 3102 |
| 15°    | 2161 |
| 25°    | 776  |
| 35°    | 140  |
| 45°    | 12   |



Watts: 20.4  
 Lumens: 1148  
 LPW: 56  
 CCT: 3000K

**Candelas at Nadir**

| Degree | CBCP |
|--------|------|
| 0°     | 1280 |
| 5°     | 1276 |
| 15°    | 1192 |
| 25°    | 762  |
| 35°    | 317  |
| 45°    | 89   |

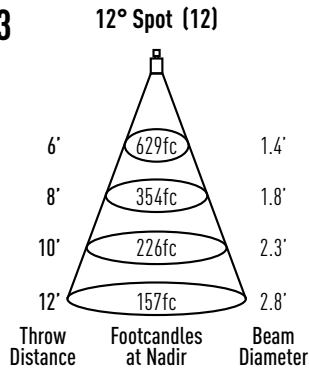
## MXTG2-STRD300WL3

Report #: ILL-02102016-10 (12)  
 ILL-02102016-09 (24)  
 ILL-02182016-03 (36)  
 ILL-02122016-05 (50)

**TRIM MULTIPLIER:**  
 MXTG2-STRD300 (x 0.93)

**CCT MULTIPLIERS:**

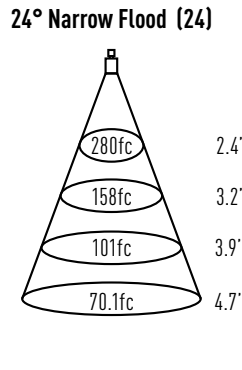
|       |               |               |
|-------|---------------|---------------|
|       | <b>82 CRI</b> | <b>92 CRI</b> |
| 2700K | (x 0.93)      | (x 0.76)      |
| 3000K | (x 1.00)      | (x 0.87)      |
| 3500K | (x 1.00)      | (x 0.87)      |
| 4100K | (x 1.00)      | (x 0.87)      |



Watts: 26.2  
 Lumens: 1332  
 LPW: 51  
 CCT: 3000K

**Candelas at Nadir**

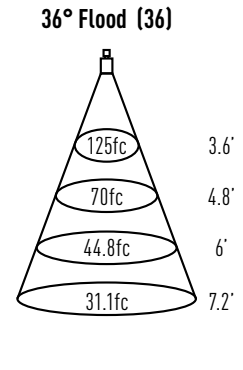
| Degree | CBCP  |
|--------|-------|
| 0°     | 22629 |
| 5°     | 12578 |
| 15°    | 838   |
| 25°    | 185   |
| 35°    | 68    |
| 45°    | 10    |



Watts: 26.3  
 Lumens: 1536  
 LPW: 58  
 CCT: 3000K

**Candelas at Nadir**

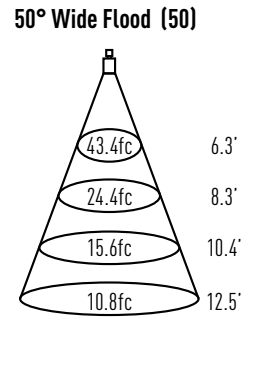
| Degree | CBCP  |
|--------|-------|
| 0°     | 10094 |
| 5°     | 8360  |
| 15°    | 5210  |
| 25°    | 284   |
| 35°    | 39    |
| 45°    | 6     |



Watts: 26.1  
 Lumens: 1872  
 LPW: 72  
 CCT: 3000K

**Candelas at Nadir**

| Degree | CBCP |
|--------|------|
| 0°     | 4483 |
| 5°     | 4558 |
| 15°    | 3175 |
| 25°    | 1140 |
| 35°    | 206  |
| 45°    | 17   |



Watts: 26.1  
 Lumens: 1400  
 LPW: 54  
 CCT: 3000K

**Candelas at Nadir**

| Degree | CBCP |
|--------|------|
| 0°     | 1561 |
| 5°     | 1556 |
| 15°    | 1454 |
| 25°    | 929  |
| 35°    | 387  |
| 45°    | 108  |