

# MXRG2DSTR

## 3.5" MX G2 LED Square Pinhole with Remodel Housing

JOB NAME		CATALOG NUMBER	
NOTES		TYPE	

### ELECTRICAL DATA

LED Light Engine	System Wattage *	CCT / CRI	Delivered Lumens **	Lumens Per Watt
L0	10W	3000K / 82 CRI	700lm	70
L1	16W	3000K / 82 CRI	1000lm	63
L2	20W	3000K / 82 CRI	1150lm	58
L3	26W	3000K / 82 CRI	1600lm	62

\*System Wattage include driver and LED Module consumption. \*\*Delivered lumens will vary depending on trim, CCT, CRI, optic and ceiling thickness

### FEATURES

- Multiple architectural trim options
- High center beam spot up to 21,700 CBCP
- Dedicated 9° with field changeable 12°, 24°, 36° & 50° optics

### LED LIGHT ENGINE

- 92 CRI & 82 CRI in 2700K, 3000K, 3500K or 4100K with ZSDCM binning
- >50,000 hours L70 (rated life at 70% output)

### ELECTRICAL SYSTEM

- Dedicated voltage options of 120V or 277V. Must be specified in catalog code
- Power factor >.95/60Hz This product complies with IEEE C62.41 for surge endurance up to 2.5KV. Additional surge protection recommended. Damage from power surge is not covered by warranty.

### DIMMING

- 0-10V Dimming 1%
- Forward/reverse dimming 1% (120V only)
- EldoLED 0-10V 0.1% or 1%
- Lutron® LDE1 Hi-Lume 1% EcoSystem LED driver with Soft-on, Fade-to-Black dimming technology
- DMX512 RDM 0.1%

### HOUSING

High quality die-casted collar with high strength stainless steel swing out lugs. Driver swivels 90° to accommodate tight spaces.

### TRIM SPECIFICATION

High quality trims are die-cast using A380 aluminum and finished with durable powder coat available in multiple finishes, black interior standard. Trims available in 1-1/2" regress for greater visual comfort or 1/2" regress for consistent look throughout space.

### INSTALLATION

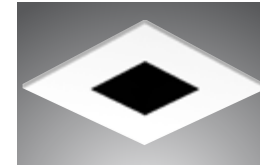
Frame-in installs from below the ceiling. Swing out lugs allow for installation in ceilings between 5/16" and 3/4". Max. ambient temperature: 95°F (35°C). Housing is Non-IC rated, must be kept at a minimum of 3" away from insulation.

### ACCESSORIES

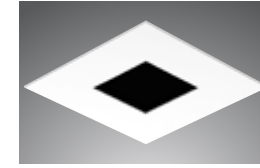
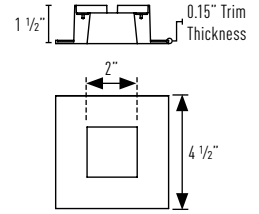
Luminaire will accommodate (2) accessories, accessory holder required, see page 2.

### LISTING / WARRANTY

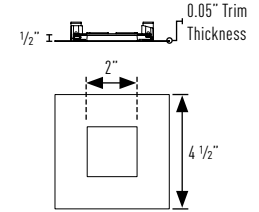
- 5-Year Intense LED Limited Warranty
- ETL listed to US and Canadian standards for damp locations
- ENERGY STAR® Qualified <sup>1</sup>
- Can be used to comply with 2016 Title 24, Part 6, JA8 high efficacy LED light source requirements <sup>2</sup>



**MXTG2-STRD306**  
(1-1/2" regress)



**MXTG2-SFRR306**  
(1/2" Flat Mount)



Housing Dimensions Are On Page 2

### Available Trim Finishes



### Housing Part Number (Example: MXRG2DSTR-NCL1)

Housing	Installation Type	Wattage	Dimming	Voltage
MXRG2DSTR	-NC (Non-IC)	L0 (10W)	blank (Non-Dimming)	blank (120V)
		L1 (16W)	DELV <sup>3</sup> (Phase Dimming)	27 (277V)
		L2 (20W)	D101 (0-10V Dimming 1%)	
		L3 (26W)	ED10V1 <sup>4</sup> (eldoLED 0-10V 1%)	
			ED10V01 <sup>4</sup> (eldoLED 0-10V 0.1%)	
			LUT <sup>5</sup> (Lutron® LDE1 EcoSystem 1%)	
		DMXR <sup>6</sup> (DMX512 RDM 0.1%)		

### Trim Part Number (Example: MXTG2-STRD306WL13024)

Trim	Finish	Wattage	CCT / CRI	Optic
MXTG2-STRD306 (1-1/2" regress)	W (White)	L0 (10W)	27 (2700K / 82 CRI)	09° (9° Narrow Spot)
	B (Black)	L1 (16W)	279 (2700K / 92 CRI)	12 (12° Spot)
MXTG2-SFRR306 (1/2" Flat Mount)	AB (Antique Bronze)	L2 (20W)	30 (3000K / 82 CRI)	24 (24° Narrow Flood)
		L3 (26W)	309 (3000K / 92 CRI)	36 (36° Flood)
			35 (3500K / 82 CRI)	50 (50° Wide Flood)
			359 (3500K / 92 CRI)	
			41 (4100K / 82 CRI)	
	419 (4100K / 92 CRI)			

### Notes:

- ENERGY STAR® Qualified (White reflectors only). Excludes: L2, L3, 92 CRI & 9° options
- L0 only. Excludes: 82 CRI & 9° options
- Available in 120V only
- Not Available in L3
- Not Available in L2 & L3
- DMX512 RDM not available in L0 & L1
- 9° NS available in 279 with L0 or L1 Only

MX DOWNLIGHTING REMODEL L/M-1005:23 P-25

INTENSE LIGHTING | 3340 E La Palma Ave, Anaheim, CA 92806 | tel 714 630-9877 | fax 714 630-9883

For Intense Lighting's limited product warranty, go to [www.intenselighting.com](http://www.intenselighting.com). For a printed copy of the warranty, you may call 800 961-5321.

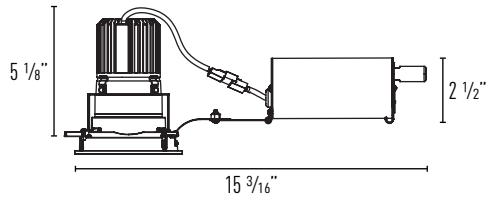
© 2023 Intense Lighting, LLC. All rights reserved. Note: This document is subject to change without notice.

# MXRG2DSTR

## 3.5" MX G2 LED Square Pinhole with Remodel Housing

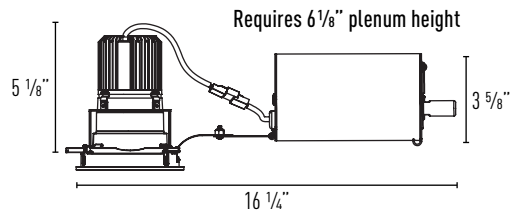
JOB NAME		CATALOG NUMBER	
NOTES		TYPE	

**DRIVER:** Non-Dimming / DELV / D10



Ceiling Cut Out: 4 1/16" x 4 1/16"  
 Minimum Ceiling Thickness: 5/16"  
 Maximum Ceiling Thickness: 3/4"

**DRIVER:** eldoLED / Lutron / DMX



Ceiling Cut Out: 4 1/16" x 4 1/16"  
 Minimum Ceiling Thickness: 5/16"  
 Maximum Ceiling Thickness: 3/4"

### ACCESSORIES

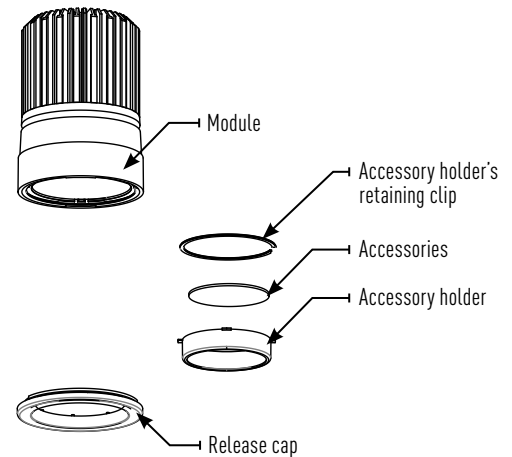
Luminaire will accommodate (2) accessories, accessory holder required.

### INSTALLATION

1. Rotate release cap by turning counter clockwise.
2. Install accessories into accessory holder and replace accessory holder's retaining clip.
3. Place accessory holder and accessory flush against optic and replace release cap.

#### Accessories

<b>LH47</b>	(Accessory Holder, Black)
<b>LH47W</b>	(Accessory Holder, White)
<b>PFLMB-47</b>	(Hex Louver, Black)
<b>PFL1-47</b>	(Prismatic Spread Lens)
<b>PFL2-47</b>	(Linear Spread Lens)
<b>PFL4-47</b>	(Soft Focus Lens)

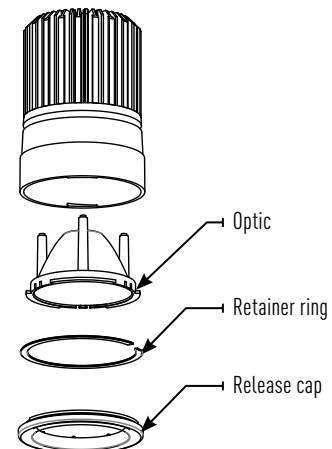


### OPTICS REPLACEMENT

1. Rotate release cap by turning counter clockwise.
2. Install accessories into accessory holder and replace accessory holder's retaining clip.
3. Place accessory holder and accessory flush against optic and replace release cap.

#### Optics

<b>IP-OP4712</b>	(12° Spot)
<b>IP-OP4724</b>	(24° Narrow Flood)
<b>IP-OP4736</b>	(36° Flood)
<b>IP-OP4750</b>	(50° Wide Flood)



MX DOWNLIGHTING REMODEL L/M-1005:23 P-26

**INTENSE LIGHTING** | 3340 E La Palma Ave, Anaheim, CA 92806 | tel 714 630-9877 | fax 714 630-9883

For Intense Lighting's limited product warranty, go to [www.intenselight.com](http://www.intenselight.com). For a printed copy of the warranty, you may call 800 961-5321.

© 2023 Intense Lighting, LLC. All rights reserved. Note: This document is subject to change without notice.

<b>JOB NAME</b>		<b>CATALOG NUMBER</b>	
<b>NOTES</b>		<b>TYPE</b>	

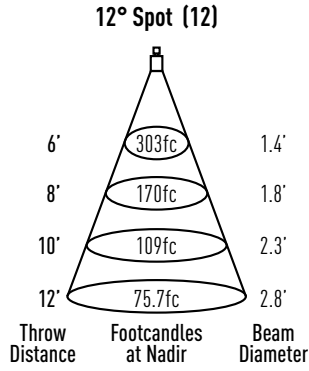
## MXTG2-STRD306LO

Report #: ILL-02122016-11.3 (12)  
 ILL-02122016-10.3 (24)  
 ILL-02162016-02.3 (36)  
 ILL-02122016-06.3 (50)

**TRIM MULTIPLIER:**  
 MXTG2-SFRR306 (x 1.00)

**CCT MULTIPLIERS:**

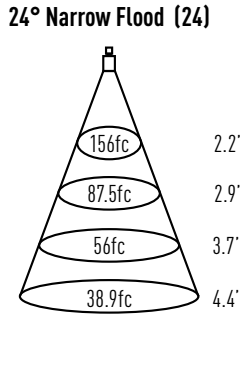
	<b>82 CRI</b>	<b>92 CRI</b>
2700K	(x 0.93)	(x 0.76)
3000K	(x 1.00)	(x 0.87)
3500K	(x 1.00)	(x 0.87)
4100K	(x 1.00)	(x 0.87)



Watts: 10  
 Lumens: 582  
 LPW: 58  
 CCT: 3000K

**Candelas at Nadir**

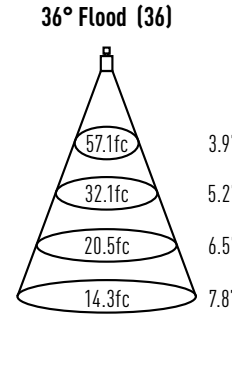
Degree	CBCP
0°	10895
5°	6333
15°	468
25°	43
35°	9
45°	2



Watts: 10  
 Lumens: 715  
 LPW: 72  
 CCT: 3000K

**Candelas at Nadir**

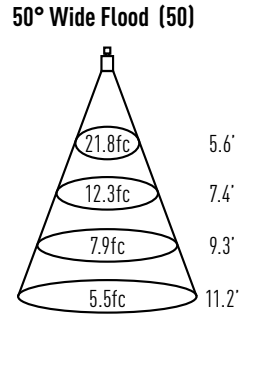
Degree	CBCP
0°	5600
5°	4829
15°	1002
25°	48
35°	4
45°	1



Watts: 10  
 Lumens: 689  
 LPW: 69  
 CCT: 3000K

**Candelas at Nadir**

Degree	CBCP
0°	2054
5°	2020
15°	1333
25°	380
35°	55
45°	1



Watts: 10  
 Lumens: 577  
 LPW: 58  
 CCT: 3000K

**Candelas at Nadir**

Degree	CBCP
0°	785
5°	785
15°	724
25°	383
35°	102
45°	4

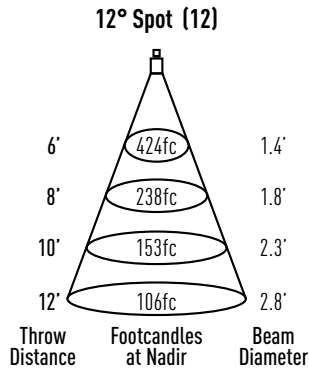
## MXTG2-STRD306LI

Report #: ILL-02122016-11.2 (12)  
 ILL-02122016-10.2 (24)  
 ILL-02162016-02.2 (36)  
 ILL-02122016-06.2 (50)

**TRIM MULTIPLIER:**  
 MXTG2-SFRR306 (x 1.00)

**CCT MULTIPLIERS:**

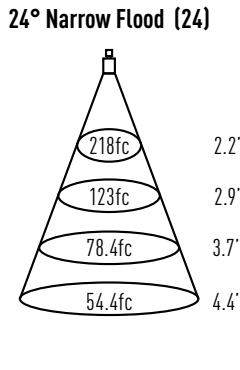
	<b>82 CRI</b>	<b>92 CRI</b>
2700K	(x 0.93)	(x 0.76)
3000K	(x 1.00)	(x 0.87)
3500K	(x 1.00)	(x 0.87)
4100K	(x 1.00)	(x 0.87)



Watts: 15.4  
 Lumens: 814  
 LPW: 53  
 CCT: 3000K

**Candelas at Nadir**

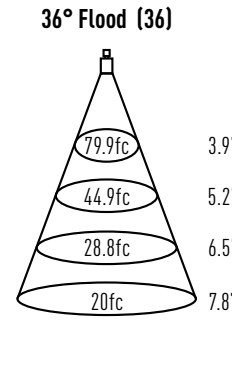
Degree	CBCP
0°	15253
5°	8866
15°	655
25°	60
35°	13
45°	2



Watts: 15.4  
 Lumens: 1001  
 LPW: 65  
 CCT: 3000K

**Candelas at Nadir**

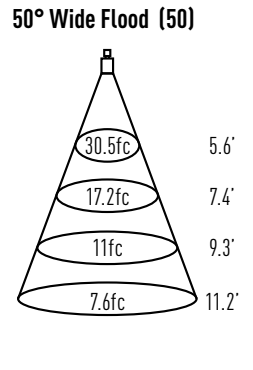
Degree	CBCP
0°	7841
5°	6760
15°	1402
25°	67
35°	6
45°	1



Watts: 15.4  
 Lumens: 964  
 LPW: 63  
 CCT: 3000K

**Candelas at Nadir**

Degree	CBCP
0°	2876
5°	2828
15°	1867
25°	532
35°	77
45°	1



Watts: 15.4  
 Lumens: 808  
 LPW: 52  
 CCT: 3000K

**Candelas at Nadir**

Degree	CBCP
0°	1099
5°	1099
15°	1013
25°	536
35°	143
45°	5

<b>JOB NAME</b>		<b>CATALOG NUMBER</b>	
<b>NOTES</b>		<b>TYPE</b>	

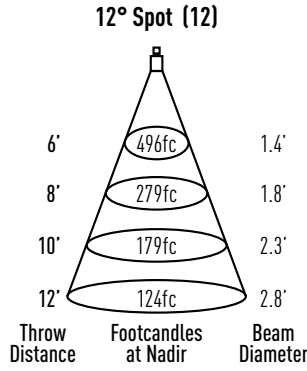
## MXTG2-STRD306L2

Report #: ILL-02122016-11.1 (12)  
 ILL-02122016-10.1 (24)  
 ILL-02162016-02.1 (36)  
 ILL-02122016-06.1 (50)

**TRIM MULTIPLIER:**  
 MXTG2-SFRR306 (x 1.00)

**CCT MULTIPLIERS:**

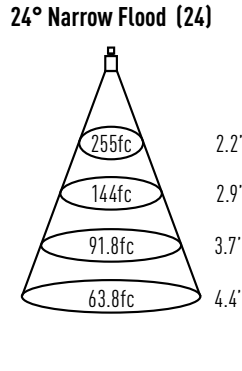
	<b>82 CRI</b>	<b>92 CRI</b>
2700K	(x 0.93)	(x 0.76)
3000K	(x 1.00)	(x 0.87)
3500K	(x 1.00)	(x 0.87)
4100K	(x 1.00)	(x 0.87)



Watts: 20.5  
 Lumens: 954  
 LPW: 47  
 CCT: 3000K

**Candelas at Nadir**

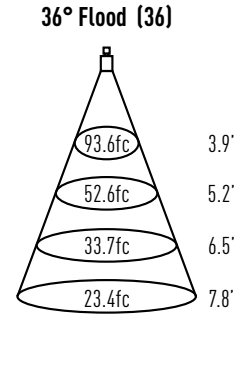
Degree	CBCP
0°	17868
5°	10385
15°	768
25°	70
35°	15
45°	3



Watts: 20.4  
 Lumens: 1173  
 LPW: 57  
 CCT: 3000K

**Candelas at Nadir**

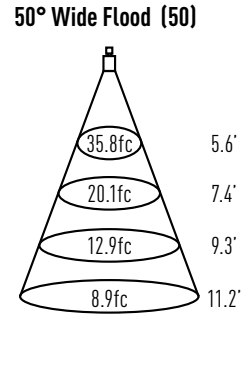
Degree	CBCP
0°	9185
5°	7919
15°	1642
25°	79
35°	7
45°	1



Watts: 20.5  
 Lumens: 1129  
 LPW: 55  
 CCT: 3000K

**Candelas at Nadir**

Degree	CBCP
0°	3369
5°	3313
15°	2187
25°	623
35°	90
45°	1



Watts: 20.5  
 Lumens: 946  
 LPW: 46  
 CCT: 3000K

**Candelas at Nadir**

Degree	CBCP
0°	1287
5°	1287
15°	1187
25°	628
35°	168
45°	6

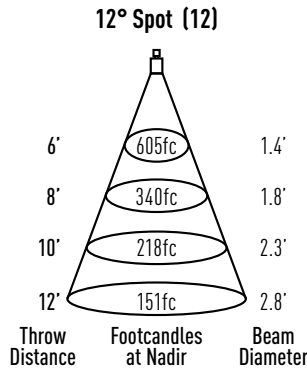
## MXTG2-STRD306L3

Report #: ILL-02122016-11 (12)  
 ILL-02122016-10 (24)  
 ILL-02162016-02 (36)  
 ILL-02122016-06 (50)

**TRIM MULTIPLIER:**  
 MXTG2-SFRR306 (x 1.00)

**CCT MULTIPLIERS:**

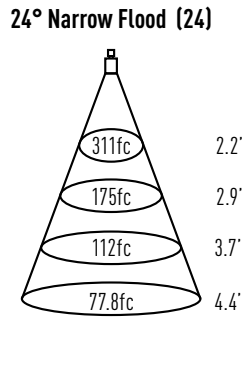
	<b>82 CRI</b>	<b>92 CRI</b>
2700K	(x 0.93)	(x 0.76)
3000K	(x 1.00)	(x 0.87)
3500K	(x 1.00)	(x 0.87)
4100K	(x 1.00)	(x 0.87)



Watts: 26.1  
 Lumens: 1163  
 LPW: 45  
 CCT: 3000K

**Candelas at Nadir**

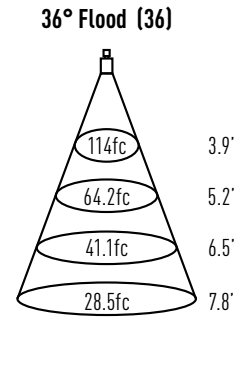
Degree	CBCP
0°	21791
5°	12665
15°	936
25°	86
35°	19
45°	3



Watts: 26.1  
 Lumens: 1430  
 LPW: 55  
 CCT: 3000K

**Candelas at Nadir**

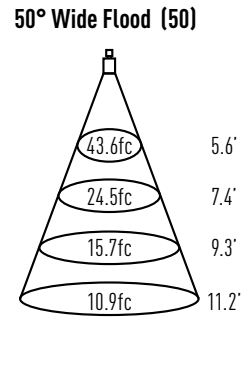
Degree	CBCP
0°	11201
5°	9657
15°	2003
25°	96
35°	9
45°	1



Watts: 26  
 Lumens: 1377  
 LPW: 53  
 CCT: 3000K

**Candelas at Nadir**

Degree	CBCP
0°	4109
5°	4040
15°	2667
25°	760
35°	109
45°	2



Watts: 26.1  
 Lumens: 1154  
 LPW: 44  
 CCT: 3000K

**Candelas at Nadir**

Degree	CBCP
0°	1570
5°	1570
15°	1447
25°	765
35°	205
45°	7