

# Two Circuit / Two Neutral Pro-Series TEK Track System - 120V

IPS4 / IPS8 / IPS12

|          |  |                |  |
|----------|--|----------------|--|
| JOB NAME |  | CATALOG NUMBER |  |
| NOTES    |  | TYPE           |  |

## DESCRIPTION

Superior performance for dimmed lighting, low life-cycle cost, and high power handling capacity make the Intense Professional Series track lighting an excellent choice. The 2 circuit / 2 neutral 120V track is ideal for dimming intensive applications. The independent neutrals guarantee that the two circuits are completely isolated. Cross-circuit interference and neutral harmonics are completely eliminated, essential for trouble-free dimming. The lack of harmonics ensures superior fixture performance and longer equipment life. Independent neutrals also offer twice the power handling capacity of ordinary common neutral track.

## FEATURES

- High quality, UL listed 2-CCT/2-Neutral
- Low profile, easy and flexible installation
- For use with specified Intense track luminaires
- Dimming feature available, see track luminaire for compatibility
- UL Listed for dry locations

## ELECTRICAL

- Voltage: 120V 60Hz
- Amperage: 20A Max. / 2400W each.
- Dimming: Reverse phase dimming must be specified by track luminaire

## CONSTRUCTION

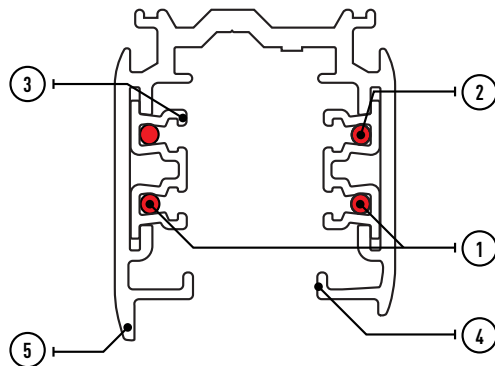
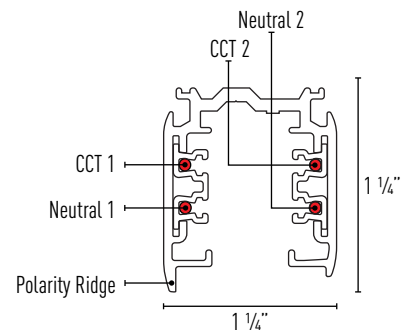
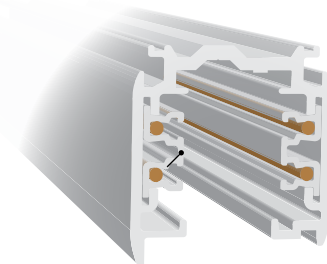
- Architectural grade extruded aluminum
- Polarity ridge is located on face of track to indicate position of track adapters
- Available in white, black or silver
- Field cuttable to desired lengths

## MOUNTING OPTIONS

Track can be surface, recessed, stem, threaded rod, cable or mounted to T-bar grid

## LISTING/WARRANTY

- UL Listed to US and Canadian Standards for dry locations.
- One (1) Year Limited Warranty



### 1) Independent Neutral

Enable greater power capacity (2x20A). Dimming capability to dim on two independent circuits without harmonics or interference on the neutral conductor.

### 2) Oversized Conductors

For higher operation safety and reduced overload potential.

### 3) Secure Bus Bar Insulation

Firmly crimped insulation secures both conductors and insulation for the life of the product.

### 4) Separate Mechanical Suspension Points

Provides superior weight bearing capacity; ensures electrical contact integrity and reduces likelihood of arcing.

### 5) Polarity Ridge

Takes the guesswork out of connector and track alignment during installation.

Track Part Number (Example: IPS8W)

| Track Length    | Finish      |
|-----------------|-------------|
| IPS4 (4 Feet)   | W (White)   |
| IPS8 (8 Feet)   | B (Black)   |
| IPS12 (12 Feet) | SV (Silver) |

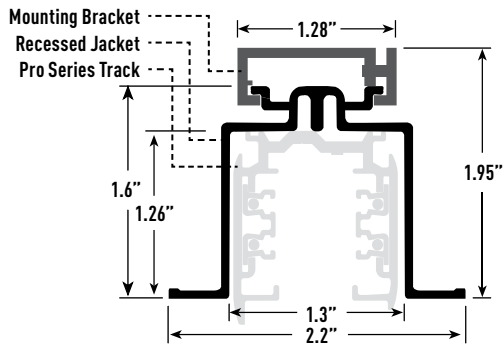
# Professional Series TEK Track Mounting Options

Two Circuit / Two Neutral

|          |  |                |  |
|----------|--|----------------|--|
| JOB NAME |  | CATALOG NUMBER |  |
| NOTES    |  | TYPE           |  |

## RECESSED MOUNT

For safe recessed mounting applications use a recessed jacket for each track section. Must order recessed jacket, mounting brackets and track separately.



| Recessed Jacket Dimensions | Catalog # | Nominal Length | Actual Length |
|----------------------------|-----------|----------------|---------------|
|                            | IPS4RJ    | 4'             | 51.5"         |
|                            | IPS8RJ    | 8'             | 99.5"         |
|                            | IPS12RJ   | 12'            | 147.5"        |

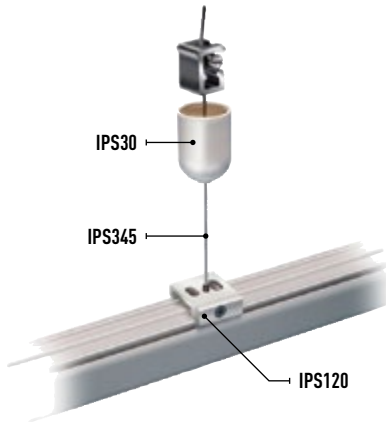
| Recessed Jacket Length                   | Finish           |
|--|------------------|
| IPS4RJ (4 Feet - requires two IPS120)    | <b>W</b> (White) |
| IPS8RJ (8 Feet - requires three IPS120)  | <b>B</b> (Black) |
| IPS12RJ (12 Feet - requires four IPS120) |                  |

| Mounting Bracket | Recessed Dead End                       |
|------------------|---|
| IPS120W (White)  | Pair of (2) Dead Ends (field-paintable) |
| IPS120B (Black)  | IPS213R (Raw / Unpainted)               |

## CABLE MOUNT

Must order ceiling cups, suspension cable and mounting brackets separately.



**Ceiling Cup**  
For cable or threaded rod

IPS30W (White)  
IPS30B (Black)

**Suspension Cable**

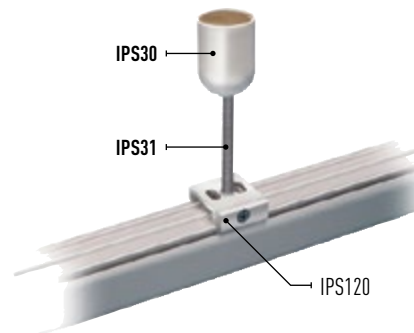
IPS345 (5' Cable)  
IPS349 (9' Cable)

**Mounting Bracket**

IPS120W (White)  
IPS120B (Black)

## THREADED ROD MOUNT

Must order ceiling cups, suspension cable and mounting brackets separately.



**Ceiling Cup**  
For cable or threaded rod

IPS30W (White)  
IPS30B (Black)

**Threaded Rod**  
Diameter: 1/4" / Length: 6'

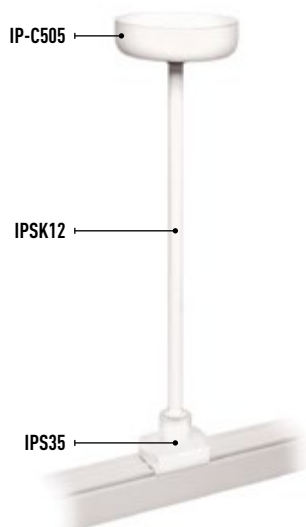
IPS31 (6' Threaded Rod)

**Mounting Bracket**

IPS120W (White)  
IPS120B (Black)

## STEM MOUNT

Must order canopies, stems and stem suspension points separately.



**Stems**  
Diameter: 3/8"      Finish

IPSK12 (12" Stem)      **W** (White)  
IPSK18 (18" Stem)      **B** (Black)  
IPSK24 (24" Stem)  
IPSK48 (48" Stem)

**Canopy**  
Diameter: 5" / Height: 1 1/2"

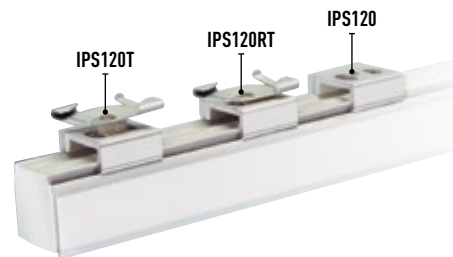
IP-C505-B (Black)  
IP-C505-W (White)

**Stem Suspension Point**  
Includes bracket and cover. Stem not included.

IPS35B (Black)  
IPS35W (White)

## T-BAR MOUNT

Must order T-Bar clamps and mounting brackets separately.



**T-Bar Ceiling Clamp**

IPS120TW (White)  
IPS120TB (Black)

**Recessed T-Bar Ceiling Clamp**

IPS120RTW (White)  
IPS120RTB (Black)

**Mounting Bracket**

IPS120W (White)  
IPS120B (Black)

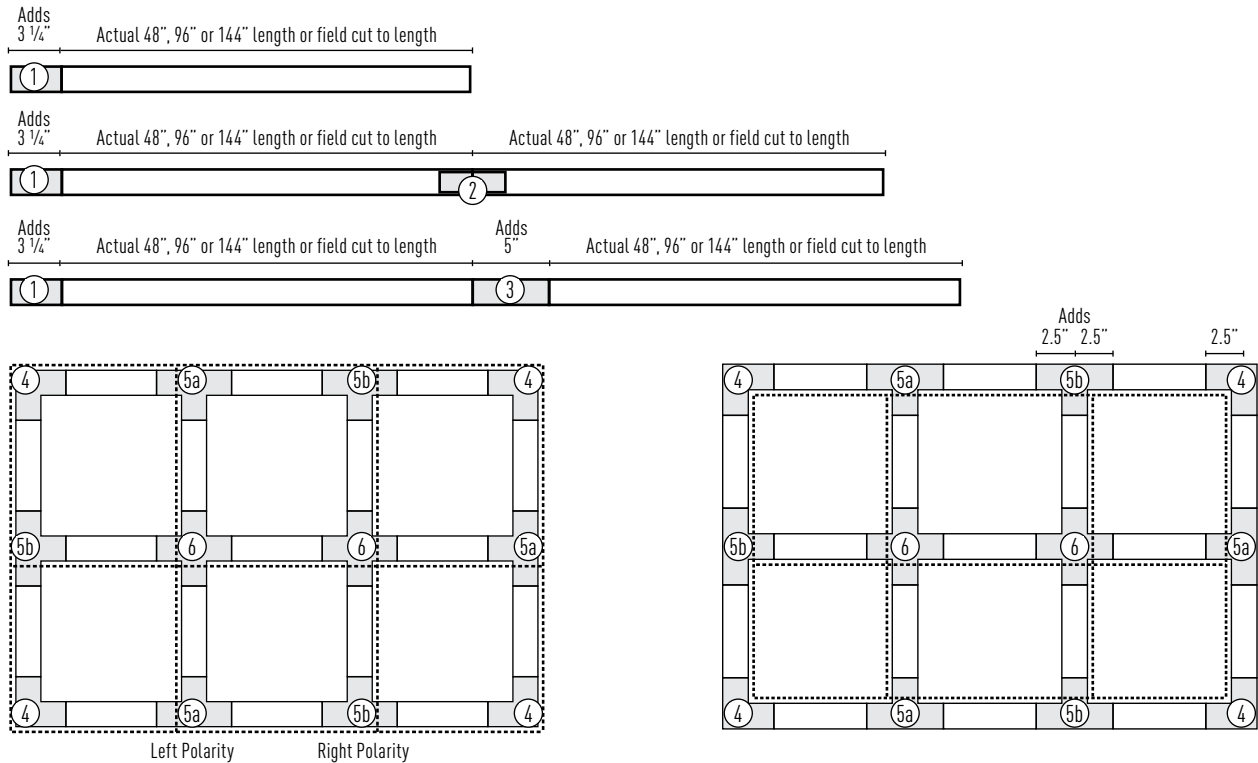
# Professional Series TEK Track Feeds / Connectors - 120V









Two Circuit / Two Neutral

|          |  |                |  |
|----------|--|----------------|--|
| JOB NAME |  | CATALOG NUMBER |  |
| NOTES    |  | TYPE           |  |

## TRACK CONFIGURATIONS

Professional series track is polarized and is manufactured with an identifying polarity ridge (dashed line on diagrams). Refer to these diagrams to ensure proper connector selection.



| <p>① <b>Live End Feed Connector - 120V</b><br/>Power feed added to end of track run. Adds 3 1/4" to the start of a run.</p>  <table border="1"> <thead> <tr> <th>Live End Feed</th> <th>Finish</th> </tr> </thead> <tbody> <tr> <td><b>IPS201</b> (Live End Feed)</td> <td><b>W</b> (White)</td> </tr> <tr> <td><b>IPS201R</b> (Reversed Polarity Live End Feed)</td> <td><b>B</b> (Black)</td> </tr> <tr> <td></td> <td><b>SV</b> (Silver)</td> </tr> </tbody> </table>         | Live End Feed           | Finish                  | <b>IPS201</b> (Live End Feed) | <b>W</b> (White) | <b>IPS201R</b> (Reversed Polarity Live End Feed) | <b>B</b> (Black) |                          | <b>SV</b> (Silver) | <p>② <b>Linear Coupler Connector</b><br/>To join two track sections end-to-end. Adds no length to track run.</p>  <table border="1"> <thead> <tr> <th>Linear Coupler</th> <th>Finish</th> </tr> </thead> <tbody> <tr> <td><b>IPS208W</b> (White)</td> <td><b>W</b> (White)</td> </tr> <tr> <td><b>IPS208B</b> (Black)</td> <td><b>B</b> (Black)</td> </tr> <tr> <td><b>IPS208SV</b> (Silver)</td> <td><b>SV</b> (Silver)</td> </tr> </tbody> </table>   | Linear Coupler | Finish          | <b>IPS208W</b> (White)         | <b>W</b> (White)  | <b>IPS208B</b> (Black)          | <b>B</b> (Black)     | <b>IPS208SV</b> (Silver) | <b>SV</b> (Silver)     | <p>③ <b>Straight Feed Connector - 120V</b><br/>To connect two track sections end-to-end. Can be used as a power feed.</p>  <table border="1"> <thead> <tr> <th>Straight Feed</th> <th>Finish</th> </tr> </thead> <tbody> <tr> <td><b>IPS203W</b> (White)</td> <td><b>W</b> (White)</td> </tr> <tr> <td><b>IPS203B</b> (Black)</td> <td><b>B</b> (Black)</td> </tr> <tr> <td><b>IPS203SV</b> (Silver)</td> <td><b>SV</b> (Silver)</td> </tr> </tbody> </table> | Straight Feed          | Finish                   | <b>IPS203W</b> (White) | <b>W</b> (White)     | <b>IPS203B</b> (Black) | <b>B</b> (Black)       | <b>IPS203SV</b> (Silver) | <b>SV</b> (Silver) |                         |                         |  |                         |                         |
|---|-------------------------|-------------------------|-------------------------------|------------------|--|------------------|--------------------------|--------------------|---|----------------|-----------------|--------------------------------|-------------------|---------------------------------|----------------------|--------------------------|------------------------|--|------------------------|--------------------------|------------------------|----------------------|------------------------|------------------------|--------------------------|--------------------|-------------------------|-------------------------|--|-------------------------|-------------------------|
| Live End Feed   | Finish                  |                         |                               |                  |  |                  |                          |                    |   |                |                 |                                |                   |                                 |                      |                          |                        |  |                        |                          |                        |                      |                        |                        |                          |                    |                         |                         |  |                         |                         |
| <b>IPS201</b> (Live End Feed)   | <b>W</b> (White)        |                         |                               |                  |  |                  |                          |                    |   |                |                 |                                |                   |                                 |                      |                          |                        |  |                        |                          |                        |                      |                        |                        |                          |                    |                         |                         |  |                         |                         |
| <b>IPS201R</b> (Reversed Polarity Live End Feed)  | <b>B</b> (Black)        |                         |                               |                  |  |                  |                          |                    |   |                |                 |                                |                   |                                 |                      |                          |                        |  |                        |                          |                        |                      |                        |                        |                          |                    |                         |                         |  |                         |                         |
|   | <b>SV</b> (Silver)      |                         |                               |                  |  |                  |                          |                    |   |                |                 |                                |                   |                                 |                      |                          |                        |  |                        |                          |                        |                      |                        |                        |                          |                    |                         |                         |  |                         |                         |
| Linear Coupler  | Finish                  |                         |                               |                  |  |                  |                          |                    |   |                |                 |                                |                   |                                 |                      |                          |                        |  |                        |                          |                        |                      |                        |                        |                          |                    |                         |                         |  |                         |                         |
| <b>IPS208W</b> (White)  | <b>W</b> (White)        |                         |                               |                  |  |                  |                          |                    |   |                |                 |                                |                   |                                 |                      |                          |                        |  |                        |                          |                        |                      |                        |                        |                          |                    |                         |                         |  |                         |                         |
| <b>IPS208B</b> (Black)  | <b>B</b> (Black)        |                         |                               |                  |  |                  |                          |                    |   |                |                 |                                |                   |                                 |                      |                          |                        |  |                        |                          |                        |                      |                        |                        |                          |                    |                         |                         |  |                         |                         |
| <b>IPS208SV</b> (Silver)  | <b>SV</b> (Silver)      |                         |                               |                  |  |                  |                          |                    |   |                |                 |                                |                   |                                 |                      |                          |                        |  |                        |                          |                        |                      |                        |                        |                          |                    |                         |                         |  |                         |                         |
| Straight Feed   | Finish                  |                         |                               |                  |  |                  |                          |                    |   |                |                 |                                |                   |                                 |                      |                          |                        |  |                        |                          |                        |                      |                        |                        |                          |                    |                         |                         |  |                         |                         |
| <b>IPS203W</b> (White)  | <b>W</b> (White)        |                         |                               |                  |  |                  |                          |                    |   |                |                 |                                |                   |                                 |                      |                          |                        |  |                        |                          |                        |                      |                        |                        |                          |                    |                         |                         |  |                         |                         |
| <b>IPS203B</b> (Black)  | <b>B</b> (Black)        |                         |                               |                  |  |                  |                          |                    |   |                |                 |                                |                   |                                 |                      |                          |                        |  |                        |                          |                        |                      |                        |                        |                          |                    |                         |                         |  |                         |                         |
| <b>IPS203SV</b> (Silver)  | <b>SV</b> (Silver)      |                         |                               |                  |  |                  |                          |                    |   |                |                 |                                |                   |                                 |                      |                          |                        |  |                        |                          |                        |                      |                        |                        |                          |                    |                         |                         |  |                         |                         |
| <p>④ <b>"L" Connector - 120V</b><br/>To connect two track sections in a 90° "L" shape. Can be used as a power feed. Adjustable polarity.</p>  <table border="1"> <thead> <tr> <th>"L" Connector</th> <th>Finish</th> </tr> </thead> <tbody> <tr> <td><b>IPS206W</b> (White)</td> <td><b>W</b> (White)</td> </tr> <tr> <td><b>IPS206B</b> (Black)</td> <td><b>B</b> (Black)</td> </tr> <tr> <td><b>IPS206SV</b> (Silver)</td> <td><b>SV</b> (Silver)</td> </tr> </tbody> </table> | "L" Connector           | Finish                  | <b>IPS206W</b> (White)        | <b>W</b> (White) | <b>IPS206B</b> (Black)                           | <b>B</b> (Black) | <b>IPS206SV</b> (Silver) | <b>SV</b> (Silver) | <p>⑤ <b>"T" Connector - 120V</b><br/>To connect three track sections in a "T" shape. Can be used as a power feed.</p>  <table border="1"> <thead> <tr> <th>"T" Connector</th> <th>Finish</th> </tr> </thead> <tbody> <tr> <td><b>IPS205L</b> (Left Polarity)</td> <td><b>W</b> (White)</td> </tr> <tr> <td><b>IPS205R</b> (Right Polarity)</td> <td><b>B</b> (Black)</td> </tr> <tr> <td></td> <td><b>SV</b> (Silver)</td> </tr> </tbody> </table>  | "T" Connector  | Finish          | <b>IPS205L</b> (Left Polarity) | <b>W</b> (White)  | <b>IPS205R</b> (Right Polarity) | <b>B</b> (Black)     |                          | <b>SV</b> (Silver)     | <p>⑥ <b>"X" Connector - 120V</b><br/>To connect four track sections in a "X" shape. Can be used as a power feed.</p>  <table border="1"> <thead> <tr> <th>"X" Connector</th> <th>Finish</th> </tr> </thead> <tbody> <tr> <td><b>IPS207W</b> (White)</td> <td><b>W</b> (White)</td> </tr> <tr> <td><b>IPS207B</b> (Black)</td> <td><b>B</b> (Black)</td> </tr> <tr> <td><b>IPS207SV</b> (Silver)</td> <td><b>SV</b> (Silver)</td> </tr> </tbody> </table>      | "X" Connector          | Finish                   | <b>IPS207W</b> (White) | <b>W</b> (White)     | <b>IPS207B</b> (Black) | <b>B</b> (Black)       | <b>IPS207SV</b> (Silver) | <b>SV</b> (Silver) |                         |                         |  |                         |                         |
| "L" Connector   | Finish                  |                         |                               |                  |  |                  |                          |                    |   |                |                 |                                |                   |                                 |                      |                          |                        |  |                        |                          |                        |                      |                        |                        |                          |                    |                         |                         |  |                         |                         |
| <b>IPS206W</b> (White)  | <b>W</b> (White)        |                         |                               |                  |  |                  |                          |                    |   |                |                 |                                |                   |                                 |                      |                          |                        |  |                        |                          |                        |                      |                        |                        |                          |                    |                         |                         |  |                         |                         |
| <b>IPS206B</b> (Black)  | <b>B</b> (Black)        |                         |                               |                  |  |                  |                          |                    |   |                |                 |                                |                   |                                 |                      |                          |                        |  |                        |                          |                        |                      |                        |                        |                          |                    |                         |                         |  |                         |                         |
| <b>IPS206SV</b> (Silver)  | <b>SV</b> (Silver)      |                         |                               |                  |  |                  |                          |                    |   |                |                 |                                |                   |                                 |                      |                          |                        |  |                        |                          |                        |                      |                        |                        |                          |                    |                         |                         |  |                         |                         |
| "T" Connector   | Finish                  |                         |                               |                  |  |                  |                          |                    |   |                |                 |                                |                   |                                 |                      |                          |                        |  |                        |                          |                        |                      |                        |                        |                          |                    |                         |                         |  |                         |                         |
| <b>IPS205L</b> (Left Polarity)  | <b>W</b> (White)        |                         |                               |                  |  |                  |                          |                    |   |                |                 |                                |                   |                                 |                      |                          |                        |  |                        |                          |                        |                      |                        |                        |                          |                    |                         |                         |  |                         |                         |
| <b>IPS205R</b> (Right Polarity)   | <b>B</b> (Black)        |                         |                               |                  |  |                  |                          |                    |   |                |                 |                                |                   |                                 |                      |                          |                        |  |                        |                          |                        |                      |                        |                        |                          |                    |                         |                         |  |                         |                         |
|   | <b>SV</b> (Silver)      |                         |                               |                  |  |                  |                          |                    |   |                |                 |                                |                   |                                 |                      |                          |                        |  |                        |                          |                        |                      |                        |                        |                          |                    |                         |                         |  |                         |                         |
| "X" Connector   | Finish                  |                         |                               |                  |  |                  |                          |                    |   |                |                 |                                |                   |                                 |                      |                          |                        |  |                        |                          |                        |                      |                        |                        |                          |                    |                         |                         |  |                         |                         |
| <b>IPS207W</b> (White)  | <b>W</b> (White)        |                         |                               |                  |  |                  |                          |                    |   |                |                 |                                |                   |                                 |                      |                          |                        |  |                        |                          |                        |                      |                        |                        |                          |                    |                         |                         |  |                         |                         |
| <b>IPS207B</b> (Black)  | <b>B</b> (Black)        |                         |                               |                  |  |                  |                          |                    |   |                |                 |                                |                   |                                 |                      |                          |                        |  |                        |                          |                        |                      |                        |                        |                          |                    |                         |                         |  |                         |                         |
| <b>IPS207SV</b> (Silver)  | <b>SV</b> (Silver)      |                         |                               |                  |  |                  |                          |                    |   |                |                 |                                |                   |                                 |                      |                          |                        |  |                        |                          |                        |                      |                        |                        |                          |                    |                         |                         |  |                         |                         |
| <p><b>Adjustable Connector</b><br/>To connect two track section at any angle up to 90°. Cannot be used as a power feed.</p>  <table border="1"> <thead> <tr> <th>Adjustable</th> <th>Finish</th> </tr> </thead> <tbody> <tr> <td><b>IPS204W</b> (White)</td> <td><b>W</b> (White)</td> </tr> <tr> <td><b>IPS204B</b> (Black)</td> <td><b>B</b> (Black)</td> </tr> <tr> <td><b>IPS204SV</b> (Silver)</td> <td><b>SV</b> (Silver)</td> </tr> </tbody> </table>                     | Adjustable              | Finish                  | <b>IPS204W</b> (White)        | <b>W</b> (White) | <b>IPS204B</b> (Black)                           | <b>B</b> (Black) | <b>IPS204SV</b> (Silver) | <b>SV</b> (Silver) | <p><b>Current Limiter End Feed - 120V</b><br/>Limits the amount of electrical load that can be placed on the circuit. (2) Self luminous ON/OFF breaker switches.</p>  <table border="1"> <thead> <tr> <th>Current Limiter</th> <th>Circuit 1 Breaker</th> <th>Circuit 2 Breaker</th> </tr> </thead> <tbody> <tr> <td><b>IPS225W</b> (White)</td> <td><b>-1A</b> (120W/1A)</td> <td><b>-1A</b> (120W/1A)</td> </tr> <tr> <td><b>IPS225B</b> (Black)</td> <td><b>-2A</b> (300W/2.5A)</td> <td><b>-2A</b> (300W/2.5A)</td> </tr> <tr> <td><b>IPS225SV</b> (Silver)</td> <td><b>-5A</b> (600W/5A)</td> <td><b>-5A</b> (600W/5A)</td> </tr> <tr> <td></td> <td><b>-7A</b> (900W/7.5A)</td> <td><b>-7A</b> (900W/7.5A)</td> </tr> <tr> <td></td> <td><b>-10A</b> (1200W/10A)</td> <td><b>-10A</b> (1200W/10A)</td> </tr> <tr> <td></td> <td><b>-12A</b> (1440W/12A)</td> <td><b>-12A</b> (1440W/12A)</td> </tr> </tbody> </table> |                | Current Limiter | Circuit 1 Breaker              | Circuit 2 Breaker | <b>IPS225W</b> (White)          | <b>-1A</b> (120W/1A) | <b>-1A</b> (120W/1A)     | <b>IPS225B</b> (Black) | <b>-2A</b> (300W/2.5A)   | <b>-2A</b> (300W/2.5A) | <b>IPS225SV</b> (Silver) | <b>-5A</b> (600W/5A)   | <b>-5A</b> (600W/5A) |                        | <b>-7A</b> (900W/7.5A) | <b>-7A</b> (900W/7.5A)   |                    | <b>-10A</b> (1200W/10A) | <b>-10A</b> (1200W/10A) |  | <b>-12A</b> (1440W/12A) | <b>-12A</b> (1440W/12A) |
| Adjustable  | Finish                  |                         |                               |                  |  |                  |                          |                    |   |                |                 |                                |                   |                                 |                      |                          |                        |  |                        |                          |                        |                      |                        |                        |                          |                    |                         |                         |  |                         |                         |
| <b>IPS204W</b> (White)  | <b>W</b> (White)        |                         |                               |                  |  |                  |                          |                    |   |                |                 |                                |                   |                                 |                      |                          |                        |  |                        |                          |                        |                      |                        |                        |                          |                    |                         |                         |  |                         |                         |
| <b>IPS204B</b> (Black)  | <b>B</b> (Black)        |                         |                               |                  |  |                  |                          |                    |   |                |                 |                                |                   |                                 |                      |                          |                        |  |                        |                          |                        |                      |                        |                        |                          |                    |                         |                         |  |                         |                         |
| <b>IPS204SV</b> (Silver)  | <b>SV</b> (Silver)      |                         |                               |                  |  |                  |                          |                    |   |                |                 |                                |                   |                                 |                      |                          |                        |  |                        |                          |                        |                      |                        |                        |                          |                    |                         |                         |  |                         |                         |
| Current Limiter   | Circuit 1 Breaker       | Circuit 2 Breaker       |                               |                  |  |                  |                          |                    |   |                |                 |                                |                   |                                 |                      |                          |                        |  |                        |                          |                        |                      |                        |                        |                          |                    |                         |                         |  |                         |                         |
| <b>IPS225W</b> (White)  | <b>-1A</b> (120W/1A)    | <b>-1A</b> (120W/1A)    |                               |                  |  |                  |                          |                    |   |                |                 |                                |                   |                                 |                      |                          |                        |  |                        |                          |                        |                      |                        |                        |                          |                    |                         |                         |  |                         |                         |
| <b>IPS225B</b> (Black)  | <b>-2A</b> (300W/2.5A)  | <b>-2A</b> (300W/2.5A)  |                               |                  |  |                  |                          |                    |   |                |                 |                                |                   |                                 |                      |                          |                        |  |                        |                          |                        |                      |                        |                        |                          |                    |                         |                         |  |                         |                         |
| <b>IPS225SV</b> (Silver)  | <b>-5A</b> (600W/5A)    | <b>-5A</b> (600W/5A)    |                               |                  |  |                  |                          |                    |   |                |                 |                                |                   |                                 |                      |                          |                        |  |                        |                          |                        |                      |                        |                        |                          |                    |                         |                         |  |                         |                         |
|   | <b>-7A</b> (900W/7.5A)  | <b>-7A</b> (900W/7.5A)  |                               |                  |  |                  |                          |                    |   |                |                 |                                |                   |                                 |                      |                          |                        |  |                        |                          |                        |                      |                        |                        |                          |                    |                         |                         |  |                         |                         |
|   | <b>-10A</b> (1200W/10A) | <b>-10A</b> (1200W/10A) |                               |                  |  |                  |                          |                    |   |                |                 |                                |                   |                                 |                      |                          |                        |  |                        |                          |                        |                      |                        |                        |                          |                    |                         |                         |  |                         |                         |
|   | <b>-12A</b> (1440W/12A) | <b>-12A</b> (1440W/12A) |                               |                  |  |                  |                          |                    |   |                |                 |                                |                   |                                 |                      |                          |                        |  |                        |                          |                        |                      |                        |                        |                          |                    |                         |                         |  |                         |                         |

# Professional Series TEK Track Accessories

Two Circuit / Two Neutral

|                 |  |                       |  |
|-----------------|--|-----------------------|--|
| <b>JOB NAME</b> |  | <b>CATALOG NUMBER</b> |  |
| <b>NOTES</b>    |  | <b>TYPE</b>           |  |

## Outlet Box Cover

Can be used on standard junction box.  
Compatible with IPS201, IPS203, IPS205, IPS206, IPS207



## Outlet Box Cover

- SMTC300-2** (Black)
- SMTC300-3** (White)

## Monopoint

Mounts permanently to junction box.



## Monopoint

- IPS217W** (White)
- IPS217B** (Black)
- IPS217SV** (Silver)

## Bending Tool

Tool is for bending conductors when track is cut in the field.



## Bending Tool

- IPS-BEND** (Bending Tool)

## Dead End

Mounts to the end of track section.



## Dead End

- IPS213W** (White)
- IPS213B** (Black)
- IPS213SV** (Silver)