

Two Circuit / Two Neutral Pro-Series HTEK Track System - 277V

IPS4-27 / IPS8-27 / IPS12-27

JOB NAME		CATALOG NUMBER	
NOTES		TYPE	

DESCRIPTION

The Intense Professional Series 2-cct/2-neutral 277V track system is well suited for larger retail and institutional applications where a number of HID Metal Halide or fluorescent fixtures are used. The 277V system offers twice the capacity of ordinary 120V track allowing for substantially longer runs with more fixtures between feed points. This translates into enhanced aesthetics and reduced installation costs. Fewer feed points mean fewer costly home runs to the panel box. The isolated neutrals mean that cross-circuit interference and neutral harmonics are completely eliminated, ensuring superior fixture performance and life. Independent neutrals also offer twice the power handling capacity of ordinary common neutral track.

FEATURES

- Over twice the capacity of standard 120V track
- Allows longer track runs with more fixtures
- Reduced installation costs
- Fewer feed points and home runs
- UL Listed for dry locations

ELECTRICAL

- Voltage: 277V 60Hz
- Amperage: 20A Max. / 5540W each.
- Dimming: Non-Dimmable

CONSTRUCTION

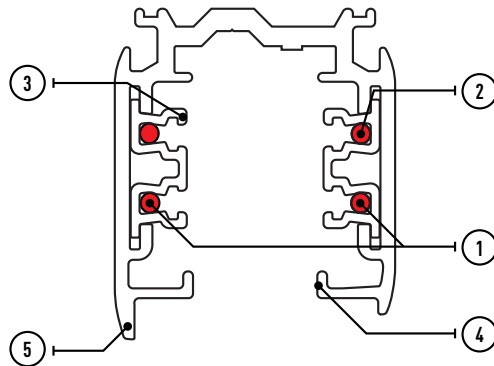
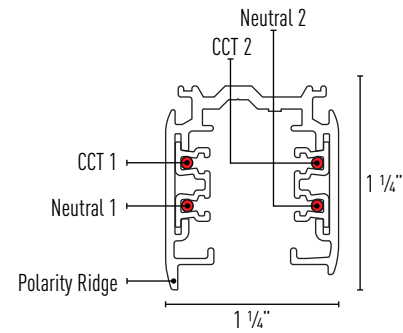
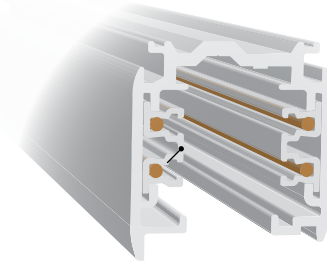
- Architectural grade extruded aluminum
- Polarity ridge is located on face of track to indicate position of track adapters
- Available in white, black or silver
- Field cuttable to desired lengths

MOUNTING OPTIONS

Track can be surface, recessed, stem, threaded rod, cable or mounted to T-bar grid

LISTING/WARRANTY

- UL Listed to US and Canadian Standards for dry locations.
- One (1) Year Limited Warranty



1) Independent Neutral

Enable greater power capacity (2x20A). Dimming capability to dim on two independent circuits without harmonics or interference on the neutral conductor.

2) Oversized Conductors

For higher operation safety and reduced overload potential.

3) Secure Bus Bar Insulation

Firmly crimped insulation secures both conductors and insulation for the life of the product.

4) Separate Mechanical Suspension Points

Provides superior weight bearing capacity; ensures electrical contact integrity and reduces likelihood of arcing.

5) Polarity Ridge

Takes the guesswork out of connector and track alignment during installation.

Track Part Number (Example: IPS8W-27)

Track Length	Finish	Voltage
IPS4 (4 Feet)	W (White)	-27 (277)
IPS8 (8 Feet)	B (Black)	
IPS12 (12 Feet)	SV (Silver)	

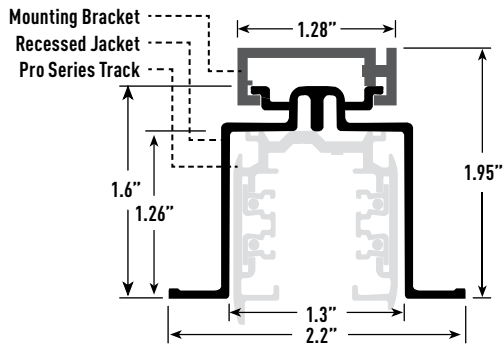
Professional Series HTEK Track Mounting Options

Two Circuit / Two Neutral

JOB NAME		CATALOG NUMBER	
NOTES		TYPE	

RECESSED MOUNT

For safe recessed mounting applications use a recessed jacket for each track section. Must order recessed jacket, mounting brackets and track separately.



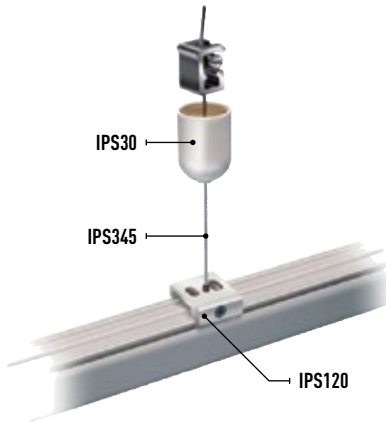
Recessed Jacket Dimensions	Catalog #	Nominal Length	Actual Length
	IPS4RJ	4'	51.5"
	IPS8RJ	8'	99.5"
	IPS12RJ	12'	147.5"

Recessed Jacket Length	Finish
IPS4RJ (4 Feet - requires two IPS120)	W (White)
IPS8RJ (8 Feet - requires three IPS120)	B (Black)
IPS12RJ (12 Feet - requires four IPS120)	

Mounting Bracket	Recessed Dead End
IPS120W (White)	Pair of (2) Dead Ends (field-paintable)
IPS120B (Black)	IPS213R (Raw / Unpainted)

CABLE MOUNT

Must order ceiling cups, suspension cable and mounting brackets separately.



Ceiling Cup
For cable or threaded rod

IPS30W (White)
IPS30B (Black)

Suspension Cable

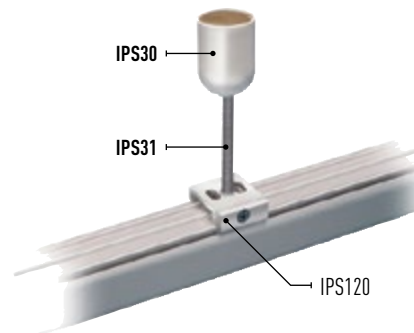
IPS345 (5' Cable)
IPS349 (9' Cable)

Mounting Bracket

IPS120W (White)
IPS120B (Black)

THREADED ROD MOUNT

Must order ceiling cups, suspension cable and mounting brackets separately.



Ceiling Cup
For cable or threaded rod

IPS30W (White)
IPS30B (Black)

Threaded Rod
Diameter: 1/4" / Length: 6'

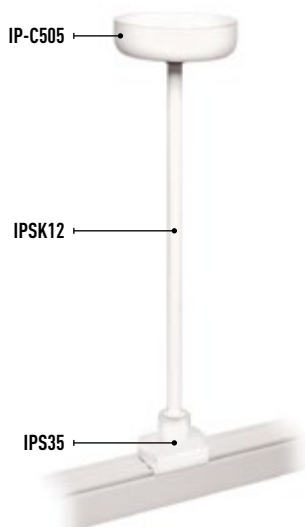
IPS31 (6' Threaded Rod)

Mounting Bracket

IPS120W (White)
IPS120B (Black)

STEM MOUNT

Must order canopies, stems and stem suspension points separately.



Stems
Diameter: 3/8" Finish

IPSK12 (12" Stem) W (White)
IPSK18 (18" Stem) B (Black)
IPSK24 (24" Stem)
IPSK48 (48" Stem)

Canopy
Diameter: 5" / Height: 1 1/2"

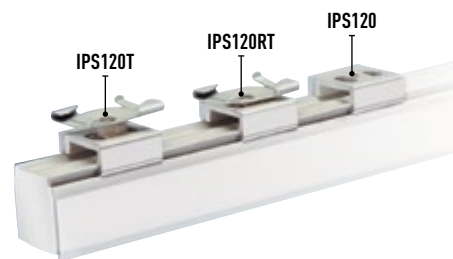
IP-C505-B (Black)
IP-C505-W (White)

Stem Suspension Point
Includes bracket and cover. Stem not included.

IPS35B (Black)
IPS35W (White)

T-BAR MOUNT

Must order T-Bar clamps and mounting brackets separately.



T-Bar Ceiling Clamp

IPS120TW (White)
IPS120TB (Black)

Recessed T-Bar Ceiling Clamp

IPS120RTW (White)
IPS120RTB (Black)

Mounting Bracket

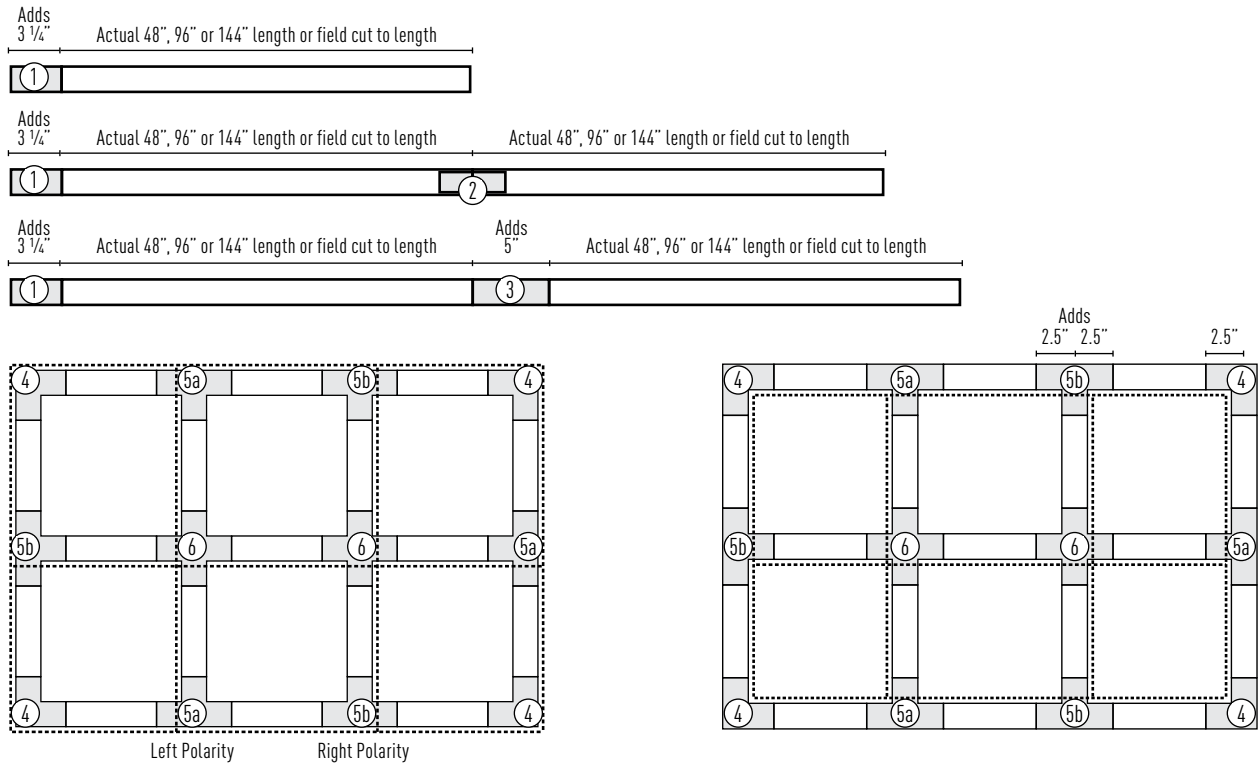
IPS120W (White)
IPS120B (Black)

Professional Series HTEK Track Feeds / Connectors -


JOB NAME		CATALOG NUMBER	
NOTES		TYPE	

TRACK CONFIGURATIONS

Professional series track is polarized and is manufactured with an identifying polarity ridge (dashed line on diagrams). Refer to these diagrams to ensure proper connector selection.




① **Live End Feed Connector - 277V**
Power feed added to end of track run. Adds 3 1/4" to the start of a run.




Live End Feed	Finish	Voltage
IPS201 (Live End Feed)	W (White)	-27 (-277V)
IPS201R (Reversed Polarity Live End Feed)	B (Black)	
	SV (Silver)	

② **Linear Coupler Connector**
To join two track sections end-to-end. Adds no length to track run.




Linear Coupler	Finish
IPS208W	(White)
IPS208B	(Black)
IPS208SV	(Silver)

③ **Straight Feed Connector - 277V**
To connect two track sections end-to-end. Can be used as a power feed.




Straight Feed	Finish	Voltage
IPS203W	(White)	-27 (-277V)
IPS203B	(Black)	
IPS203SV	(Silver)	

④ **"L" Connector - 277V**
To connect two track sections in a "L" shape. Can be used as a power feed. Adjustable polarity.




"L" Connector	Finish	Voltage
IPS206W	(White)	-27 (-277V)
IPS206B	(Black)	
IPS206SV	(Silver)	

⑤ **"T" Connector - 277V**
To connect three track sections in a "T" shape. Can be used as a power feed.




"T" Connector	Finish	Voltage
IPS205L (Left Polarity)	W (White)	-27 (-277V)
IPS205R (Right Polarity)	B (Black)	
	SV (Silver)	

⑥ **"X" Connector - 277V**
To connect four track sections in a "X" shape. Can be used as a power feed.



"X" Connector	Finish	Voltage
IPS207W	(White)	-27 (-277V)
IPS207B	(Black)	
IPS207SV	(Silver)	

Adjustable Connector - 277V
To connect two track section at any angle up to 90°. Cannot be used as a power feed.



Adjustable Connector	Finish
IPS204W	(White)
IPS204B	(Black)
IPS204SV	(Silver)

Professional Series HTEK Track Accessories

Two Circuit / Two Neutral

JOB NAME		CATALOG NUMBER	
NOTES		TYPE	

Outlet Box Cover

Can be used on standard junction box.
Compatible with IPS201, IPS203, IPS205, IPS206, IPS207



Outlet Box Cover

- SMTC300-2** (Black)
- SMTC300-3** (White)

Monopoint

Mounts permanently to junction box.



Monopoint

- IPS217W** (White)
- IPS217B** (Black)
- IPS217SV** (Silver)

Bending Tool

Tool is for bending conductors when track is cut in the field.



Bending Tool

- IPS-BEND** (Bending Tool)

Dead End

Mounts to the end of track section.



Dead End

- IPS213W** (White)
- IPS213B** (Black)
- IPS213SV** (Silver)