

MR16-MXGU10SRTRSQ4

MX MR16 LED GU10 Semi Recessed Multiple (4) Head 10" x 10"
with New Construction Frame-In

FEATURES

- Uses MX accessories with LED lamps
- Easy lamp access with quarter turn cap
- MX construction and quality finishes
- Up to 45° Vertical Adjustment
- 360° Horizontal Adjustment

LAMP (ORDERED SEPARATELY)

- 120V MR16 GU10 LED 15W max.
- 120V MR16 GU10 Halogen 35W max.

Lamp is secured in a GU10 ceramic twist and lock socket. Luminaire accommodates lamp diameter up to 1.97" (50.1mm) and MOL of 2.18" (55.3mm).

FRAME-IN (MUST ORDER SEPARATELY)

Frame-in types include IC Air-Tight, CCEA (Chicago Plenum), or Non-IC Rated (must specify). Non-IC rated housings must be kept at a minimum of 3" away from insulation. Frame-in is equipped with quick connect to trim assembly for easy installation. Junction box is accessible from below the ceiling.

INSTALLATION

Luminaire can accommodate up to 1" ceiling thickness. Luminaire is supplied with butterfly brackets to allow up-to 3" vertical adjustment. Compatible with C-channel, flat bar, wood joist bar and EMT. Bar hangers must be ordered separately. C-channel are recommended for T-bar ceilings. Consult lamp manufacturer for operating temperature.

TRIM ASSEMBLY

Trim assembly includes integral power supply for each individual head. Quick connection supplied for easy installation and wiring to frame-in. Ease of installation and maintenance with access to power supply. Mounts to frame-in via heavy duty torsion springs.

ACCESSORIES

Luminaire will accommodate (2) accessories per head, accessory holder required. Must order one accessory holder and accessory per head, see page 2.

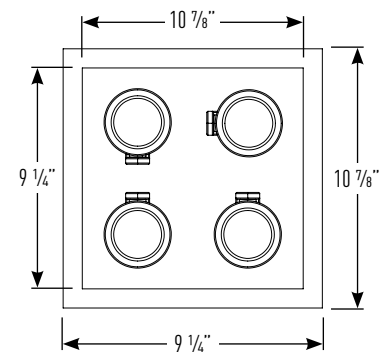
LISTING/WARRANTY

- ETL listed to US and Canadian standards for damp locations.
- (-IC Only) Air-Tight Certified ASTM E283
- (-IC Only) ETL listed for direct contact with insulation
- (-CP Only) CCEA Chicago Plenum



JOB NAME		CATALOG NUMBER	
NOTES		TYPE	

MX



Frame-in dimensions are on Page 2

Ceiling Cut Out: 10 1/4" x 10 1/4"

Horizontal Adjustability: 360°

Vertical Adjustability: 45°

Trim Example: MR16-MXGU10SRTRSQ4WW

Trim	Head Finish	Flange Finish	Option
MR16-MXGU10SRTRSQ4	<input type="checkbox"/> B (Black)	<input type="checkbox"/> B (Black)	<input type="checkbox"/> -S ¹ (Integral 1" Snoot)
	<input type="checkbox"/> W (White)	<input type="checkbox"/> W (White)	

Consult factory for special order finish

Frame-In Example: IP2-10FK-I200

Frame-In Type	Voltage	Options
<input type="checkbox"/> IP2-10FK (Non-IC)	<input type="checkbox"/> blank (120V)	<input type="checkbox"/> -1100 (C-Channel Bar Hangers)
<input type="checkbox"/> IP2-10FKIC (Air-Tight IC)		<input type="checkbox"/> -1200 (Flat Bar Hangers)
<input type="checkbox"/> IP2-10FKCP (Chicago Plenum)		<input type="checkbox"/> -1400 (Wood Joist Bar Hangers)

Notes:

1. Snoot is integral to fixture and factory installed. Snoot's interior is black and compatible with accessory holder, black accessory holder recommended.

MX MULTIPLES LJM-0525-16-P-9

Intense Lighting

3340 E La Palma Ave, Anaheim, CA 92806 | tel 714 630-9877 | fax 714 630-9883

©2016 Intense Lighting, LLC. All rights reserved. Subject to change without notice.

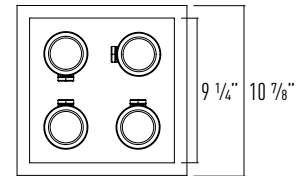
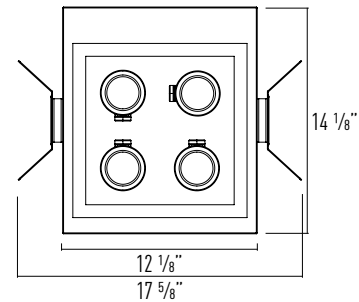
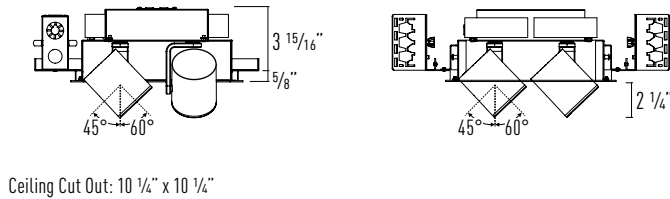
intense® a LEVITON® company
LIGHTING

MR16-MXGU10SRTRSQ4

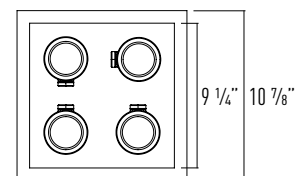
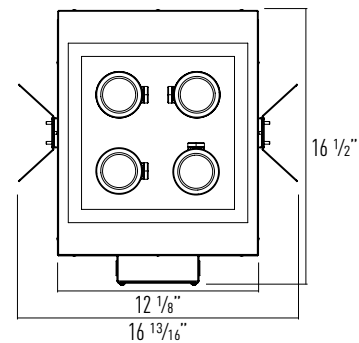
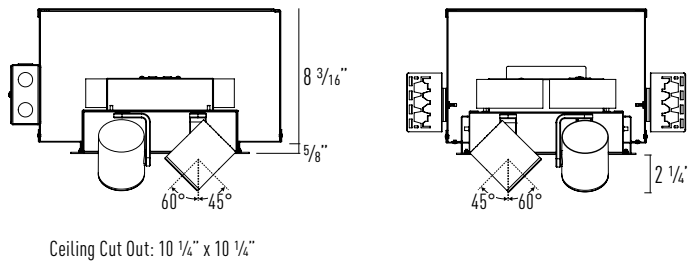
MX MR16 LED GU10 Semi Recessed Multiple (4) Head 10" x 10"
with New Construction Frame-In

JOB NAME		CATALOG NUMBER	
NOTES		TYPE	

NON-IC DIMENSIONS



AIR TIGHT IC & CCEA CHICAGO PLENUM DIMENSIONS



ACCESSORIES

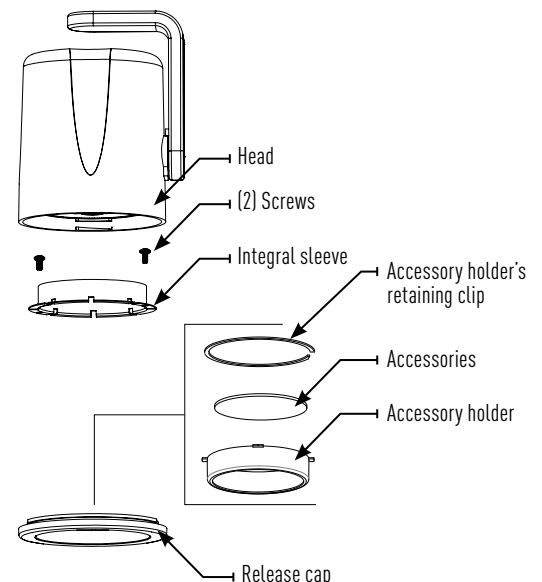
Luminaire will accommodate (2) accessories per head, accessory holder required.
Must order one accessory holder and accessory per head.

INSTALLATION

1. Rotate release cap by turning counter clockwise. Remove two screws on release cap to remove integral sleeve.
2. Install accessories into accessory holder and replace accessory holder's retaining clip.
3. Place accessory holder and accessory against release cap and replace integral sleeve with two screws.
4. Replace release cap.

Accessories

- LH47 (Accessory Holder, Black)
- LH47W (Accessory Holder, White)
- PFLMB-47 (Hex Louver, Black)
- PFL1-47 (Prismatic Spread Lens)
- PFL2-47 (Linear Spread Lens)
- PFL4-47 (Soft Focus Lens)



MX MULTIPLES I/M-0525-16-P-10

Intense Lighting

3340 E La Palma Ave, Anaheim, CA 92806 | tel 714 630-9877 | fax 714 630-9883
©2016 Intense Lighting, LLC. All rights reserved. Subject to change without notice.

intense® a LEVITON®
LIGHTING company