

# D100

## 4-inch LED Downlight Round

JOB NAME		CATALOG NUMBER	
NOTES		TYPE	

### ELECTRICAL DATA

System Wattage *	CCT	Nominal Delivered Lumens **
9W	3000K	800lm
13W	3000K	1100lm

\*System Wattage includes driver & LED Module consumption / \*\*Delivered Lumen output will vary depending on CCT, CRI & finish

### FEATURES

- Deep Recessed Trim With UGR Rating of <19
- Standard 90 CRI & 0-10V Dimming

### LED LIGHT ENGINE

- 90 CRI in 2700K, 3000K or 3500K
- 3 SDCM (3-Step MacAdam)
- 50,000 hours L80 (rated life at 80% output)

### ELECTRICAL SYSTEM

- Universal 120V-277V input
- This product complies with IEEE C62.41 for surge endurance up to 2.5KV
- Additional surge protection recommended
- Damage from power surge is not covered by warranty

### OPTICS

- 50° Flood

### DIMMING

- 0-10V Dimming

### TRIM & HOUSING ASSEMBLY

- Aluminum housing assembly with quick connect for easy installation.
- Fixture comes standard white trim. For matte and black trim finishes order separately.

### INSTALLATION

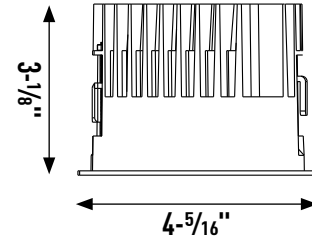
- Non-IC: Insulation should be kept minimum 3" away from all sides of fixture
- Accommodates ceilings with a maximum of 15/16" thickness
- Maximum ambient temperature 35°C (95°F)

### EMERGENCY BACKUP

Emergency backup option includes a remote test switch. Depending on the driver's selection, an external battery powers an LED load for 90 runtime minutes at a 5W or 10W. Service requires access from above the ceiling.

### LISTING

- ETL listed to US and Canadian standards for wet location
- 5-Year Intense LED Limited Warranty



Ceiling Cutout: 4"

### Trim Finishes



### Downlight Order Matrix: (Example: D100930-50)

Trim & Module	Trim Finish	CCT/CRI	Optic
D100 4-inch LED Downlight Round	blank (White Trim)	927 (2700K / 90 CRI)	-50 (50° Flood)
		930 (3000K / 90 CRI)	
		935 (3500K / 90 CRI)	

### Accessories: (Must Order Separately)

#### Frame In Kit

**D100-FLATFRAME**  
(Non-IC Frame In Kit)

#### Driver Kit & Emergency Backups

<b>D100-9W-DRIVER-A</b>	(9W / 800lm   Universal, 120V-277V   0-10V, 1%)
<b>D100-13W-DRIVER-A</b>	(13W / 1100lm   Universal, 120V-277V   0-10V, 1%)
<b>D100-9W-DRIVER-A-EM5</b>	(9W / 800lm   Universal, 120V-277V   0-10V, 1%   5W Emergency Backup)
<b>D100-13W-DRIVER-A-EM5</b>	(13W / 1100lm   Universal, 120V-277V   0-10V, 1%   5W Emergency Backup)
<b>D100-13W-DRIVER-A-EM10</b>	(13W / 1100lm   Universal, 120V-277V   0-10V, 1%   10W Emergency Backup)

#### Additional Trims

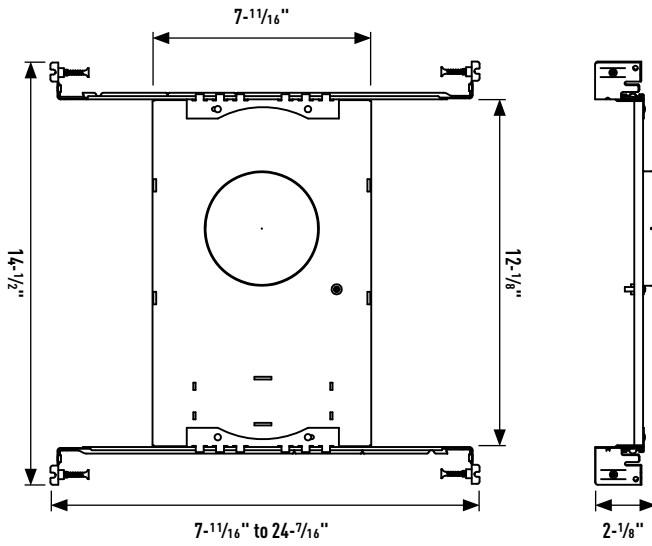
<b>D100-W</b>	(White Trim)
<b>D100-B</b>	(Black Trim)
<b>D100-M</b>	(Matte Trim)

# D100

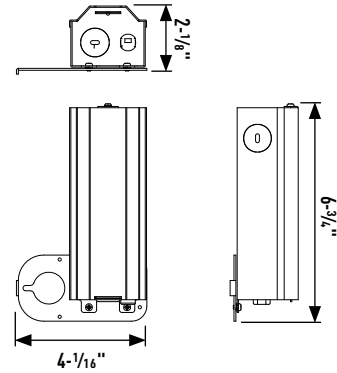
4-inch LED Downlight Round

JOB NAME		CATALOG NUMBER	
NOTES		TYPE	

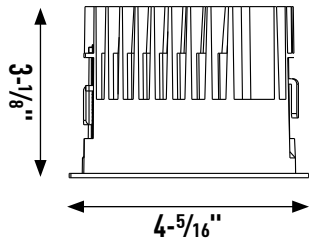
## Flat Frame



## Driver Box



## LED Module



## Emergency Backup

