

D150

6-inch LED Downlight Round

JOB NAME		CATALOG NUMBER	
NOTES		TYPE	

ELECTRICAL DATA

System Wattage *	CCT	Nominal Delivered Lumens **
18W	3000K	1600lm
25W	3000K	2400lm

*System Wattage includes driver & LED Module consumption / **Delivered Lumen output will vary depending on CCT, CRI & finish

FEATURES

- Deep Recessed Trim With UGR Rating of <19
- Standard 90 CRI & 0-10V Dimming

LED LIGHT ENGINE

- 90 CRI in 2700K, 3000K or 3500K
- 3 SDCM (3-Step MacAdam)
- 50,000 hours L80 (rated life at 80% output)

ELECTRICAL SYSTEM

- Universal 120V-277V input
- This product complies with IEEE C62.41 for surge endurance up to 2.5KV
- Additional surge protection recommended
- Damage from power surge is not covered by warranty

OPTICS

- 60° Wide Flood

DIMMING

- 0-10V Dimming

TRIM & HOUSING ASSEMBLY

- Aluminum housing assembly with quick connect for easy installation.
- Fixture comes standard white trim. For matte and black trim finishes order separately.

INSTALLATION

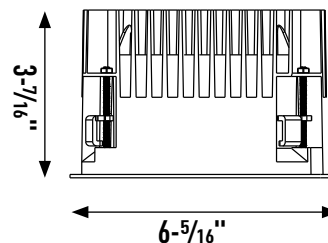
- Non-IC; insulation should be kept minimum 3" away from all sides of fixture
- Accommodates ceilings with a maximum of 15/16" thickness
- Maximum ambient temperature 35°C (95°F)

EMERGENCY BACKUP

Emergency backup option includes a remote test switch. Depending on the driver's selection, an external battery powers an LED load for 90 runtime minutes at 10W. Service requires access from above the ceiling.

LISTING

- ETL listed to US and Canadian standards for wet location
- 5-Year Intense LED Limited Warranty



Ceiling Cutout: 6"

Trim Finishes



Downlight Order Matrix: (Example: D150930-50)

Trim & Module	Trim Finish	CCT/CRI	Optic
D150 6-inch LED Downlight Round	blank (White Trim)	927 (2700K / 90 CRI)	-60 (60° Wide Flood)
		930 (3000K / 90 CRI)	
		935 (3500K / 90 CRI)	

Accessories: (Must Order Separately)

Frame In Kit

D150-FLATFRAME
(Non-IC Frame In Kit)

Driver Kit & Emergency Backups

D150-18W-DRIVER-A	(18W / 1600lm Universal, 120V-277V 0-10V, 1%)
D150-25W-DRIVER-A	(25W / 2400lm Universal, 120V-277V 0-10V, 1%)
D150-18W-DRIVER-A-EM10	(18W / 1600lm Universal, 120V-277V 0-10V, 1%) 10W Emergency Backup)
D150-25W-DRIVER-A-EM10	(25W / 2400lm Universal, 120V-277V 0-10V, 1%) 10W Emergency Backup)

Additional Trims

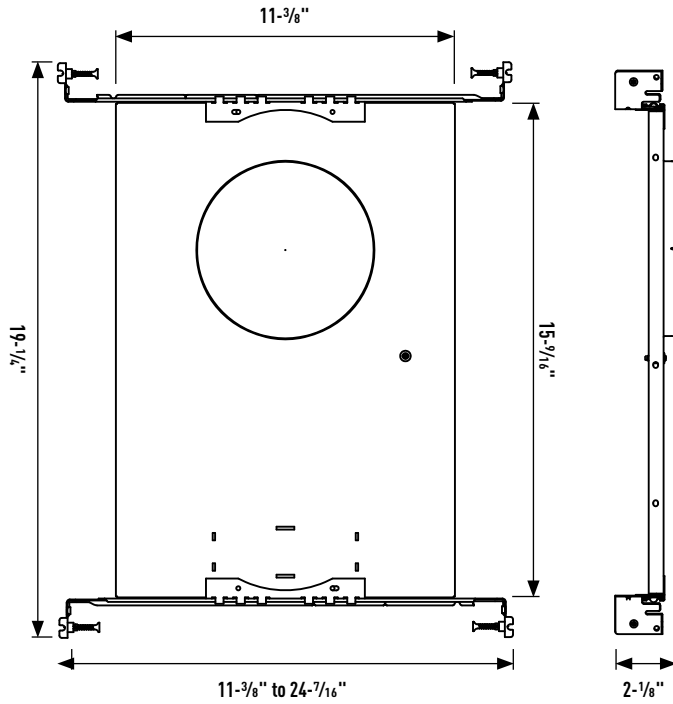
D150-W	(White Trim)
D150-B	(Black Trim)
D150-M	(Matte Trim)

D150

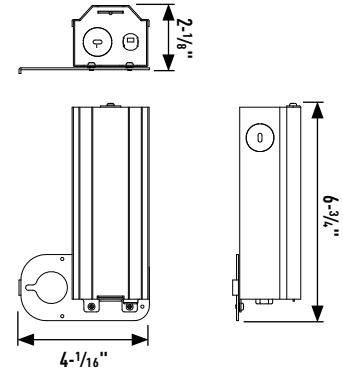
6-inch LED Downlight Round

JOB NAME		CATALOG NUMBER	
NOTES		TYPE	

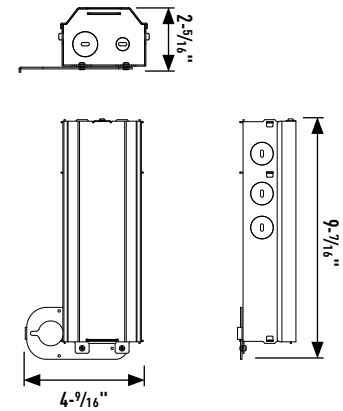
Flat Frame



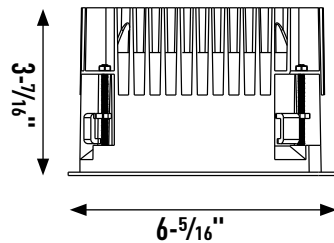
D150-18W Driver



D150-25W Driver



LED Module



Emergency Backup

