

LC22

Fundamentals 2' x 2' Recessed LED

JOB NAME		CATALOG NUMBER	
NOTES		TYPE	

ELECTRICAL DATA

LED Light Engine	Delivered Lumens *	System Wattage **
L1	3722lm @ 3500K / 80 CRI	33 Watts

- * Delivered lumen output will vary depending on CCT selection.
- ** System Wattage include driver and LED Module consumption.

FEATURES

- Exceptional efficacy over 110 lumens per watt
- Soft, uniform illumination without pixilation
- High quality, durable construction
- Modern look and high quality architectural finish
- Easy installation and maintenance with easy access to LED's
- Designed to last a minimum 50,000 hours at L85
- 0-10V standard
- DLC Listed
- 3 5/8" shallow depth

LED MODULE

80 CRI in 3500K; consult factory for additional CCT / CRI values and lead times

ELECTRICAL

- Universal 120-277V 50/60Hz
- Power Factor >0.9

DIMMING

- 0-10V dimming to 5% standard
- EldoLED SOLOdrive 0-10V 0.1%
- EldoLED ECOdrive 0-10V 1%
- Lutron® LDE1 Hi-Lume 1% EcoSystem LED driver with Soft-on, Fade-to-Black dimming technology
- Lutron® LTEA2W Hi-Lume 1% 2-Wire LED driver (120V forward phase only)

HOUSING

- Cold rolled steel
- High reflectance white powder coat

OPTICAL SYSTEM

High reflectance white powder coat reflector and high transmission diffuser lens provides soft, uniform indirect and direct light for even distribution. High transmission diffuser reduces glare and provides even illumination without pixilation. Diffuser is easily removed for access to the LEDs.

MOUNTING

Easily installs from below into a 2' x 2' T-bar ceiling with integrated T-Bar clips.

EMERGENCY BACKUP

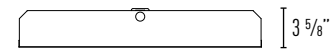
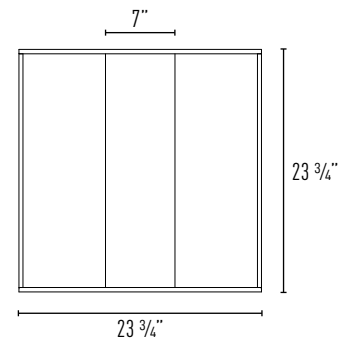
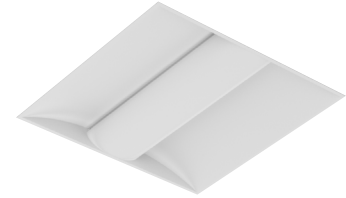
Integral test switch included. External battery operates LED load of up to 7W at a minimum of 775 lumens for 90 minutes. Servicing requires access above ceiling.

LISTING / WARRANTY

- ETL Listed to US and Canadian standards for damp locations
- 5-Year Intense LED Limited Warranty
- DLC Listed



fundamentals™



Part Number (Example: LC22L1835W-ED10V1)

Luminaire	Wattage	CCT / CRI ¹	Finish	Dimming	Option
LC22	L1 (33 Watts)	835 (3500K / 80 CRI)	W (White)	(blank) -ED10V1 (0-10V Dimming 5%) -ED10V01 (eldoLED 0-10V 1%) -LUT (Lutron® LDE1 EcoSystem 1%) -LUT2 (Lutron® LTEA2W 2-Wire 1%)	EM7T (7W Emergency Unit w/Integral Test Switch IOTA part #ILB-CP07)

2' x 2' LED Recessed

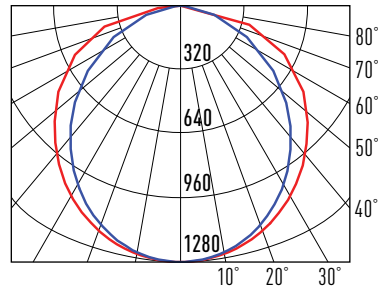
JOB NAME		CATALOG NUMBER	
NOTES		TYPE	

LC22L1835

Report #: s16040048c-01
 Luminaire Watts: 33W
 Luminaire Lumens: 3722lm
 Lumens Per Watt: 113
 Color Temperature: 3500K

Emergency Multiplier:
 7W Emergency (x 0.20)

Polar Curve



Zonal Lumen Summary

Zone	Lumens	% of Fixture
0-30°	986	27%
0-40°	1609	43%
0-60°	2847	77%
0-90°	3720	100%

Candelapower Summary

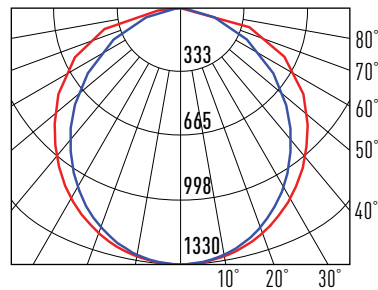
Degree	0°	90°
0°	1280	1280
5°	1274	1274
15°	1219	1230
25°	1111	1148
35°	960	1034
45°	778	901
55°	582	751
65°	384	580
75°	191	395
85°	37	99
90°	1	0

LC22L1840

Report #: s16040048d-01
 Luminaire Watts: 33W
 Luminaire Lumens: 3795lm
 Lumens Per Watt: 115
 Color Temperature: 4000K

Emergency Multiplier:
 7W Emergency (x 0.20)

Polar Curve



Zonal Lumen Summary

Zone	Lumens	% of Fixture
0-30°	1023	27%
0-40°	1667	44%
0-60°	2939	78%
0-90°	3790	100%

Candelapower Summary

Degree	0°	90°
0°	1330	1330
5°	1322	1324
15°	1262	1280
25°	1148	1194
35°	987	1071
45°	796	924
55°	590	775
65°	382	605
75°	183	410
85°	28	119
90°	0	1