

GC2WR

2" Gravity LED Wall Wash Cylinder

JOB NAME		CATALOG NUMBER	
NOTES		TYPE	

ELECTRICAL DATA

LED Light Engine	Nominal Delivered Lumens*	System Wattage**
L1	480lm @ 3000K / 82 CRI	10 Watts
L2	680lm @ 3000K / 82 CRI	15 Watts
L3	825lm @ 3000K / 82 CRI	20 Watts

*System Wattage include driver and LED Module consumption. / **Delivered lumens will vary depending on CCT, CRI and optic selection

FEATURES

- Uniform vertical & horizontal distribution
- High performance cylinder extruded from aluminum in durable powder coat finishes

LED LIGHT ENGINE

- 10W, 16W & 20W
- 2 SDCM, 82/92CRI in 2700K, 3000K, 3500K & 4000K
- Rated life of >50,000 hours L70 based on LED testing per LM-80-08 and projected values using IESNA TM21-11

OPTICS

- Uniform vertical & horizontal distribution

REFLECTOR

- Specification grade 1.0mm spun aluminum reflector
- Reflector available in White, Black or Haze finishes (consult factory for other finishes))

ELECTRICAL SYSTEM

- Universal 120-277V input; Power factor >.9, 50/60Hz
- This product complies with IEEE C62.41 for surge endurance up to 2.5KV. Additional surge protection recommended. Damage from power surge is not covered by warranty.

DIMMING

- Forward/reverse phase dimming 1% (120V only)
- 0-10V 1% Dimming 1%
- eldoLED SOL0drive 0-10V 0.1% (Remote)
- eldoLED ECOdrive 0-10V 1% (Remote)
- Lutron® LDE1 Hi-Lume 1% EcoSystem LED driver with Soft-on, Fade-to-Black dimming technology (Remote) (Remote)
- DMX512 RDM 0.1% with RJ45 Interface (Remote)

MOUNTING

- Fixtures mounts to recessed 3" or 4" octagon J-Box
- Cable mount option require remote driver box for 0-10V, eldoLED, Lutron® & DMXR dimming options)
- Pendant mount option is not field cuttable.

REMOTE BOX

- Remote box included when required by specification
- Galvanized steel construction
- Above ceiling access required for servicing
- Separate line voltage and low voltage wiring compartments
- 50ft remote distance maximum

LISTING / WARRANTY

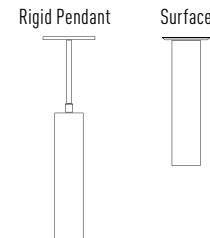
- 5-Year Intense LED Limited Warranty
- ETL Listed to US and Canadian standards for damp locations



Available Trim Finishes



Mounting Options



Cylinder Part Number (Example: GC2WR1L1279ED10V01SVWHTSSV)

Cylinder	Height	Wattage	CCT / CRI	Dimming	Cylinder Finish	Reflector Finish	Mounting Type
GC2WR	1 (6in)	L1 (10W)	27 (2700K / 82 CRI)	DIM ¹ (Phase Dimming 1%)	W (White)	W (White)	R12 (12" Rigid Pendant)
		L2 (16W)	279 (2700K / 92 CRI)	D101 (0-10V Dimming 1%)	B (Black)	B ⁵ (Black)	R24 (24" Rigid Pendant)
		L3 ² (20W)	30 (3000K / 82 CRI)	ED10V1 ² (eldoLED 0-10V 1%)	SV ⁵ (Silver)	HZ (Haze)	R36 ⁶ (36" Rigid Pendant)
		309 (3000K / 92 CRI)	ED10V01 ² (eldoLED 0-10V 0.1%)		R48 (48" Rigid Pendant)		
		35 (3500K / 82 CRI)	LUT ^{2,3} (Lutron® LDE1 EcoSystem 1%)		SW (Surface, White Canopy)		
		359 (3500K / 92 CRI)	DMXR ^{2,4} (DMX512 RDM 0.1%)		SB (Surface, Black Canopy)		
		40 (4000K / 82 CRI)			SSV (Surface, Silver Canopy)		
		409 (4000K / 92 CRI)					

Notes:

- Available in 120V only
- Remote driver box required (L3 lumen package, eldoLED, Lutron® & DMXR options)
- Lutron® not available in L3
- DMXR not available in L1 & L2
- Special order, consult factory for lead times
- Special order. Note: 36" Pendant is made with (1) 12" & 24" w/ coupler

GRAVITY LM-0202-23 P-10

Intense Lighting

3340 E La Palma Ave, Anaheim, CA 92806 | tel 714 630-9877 | fax 714 630-9883

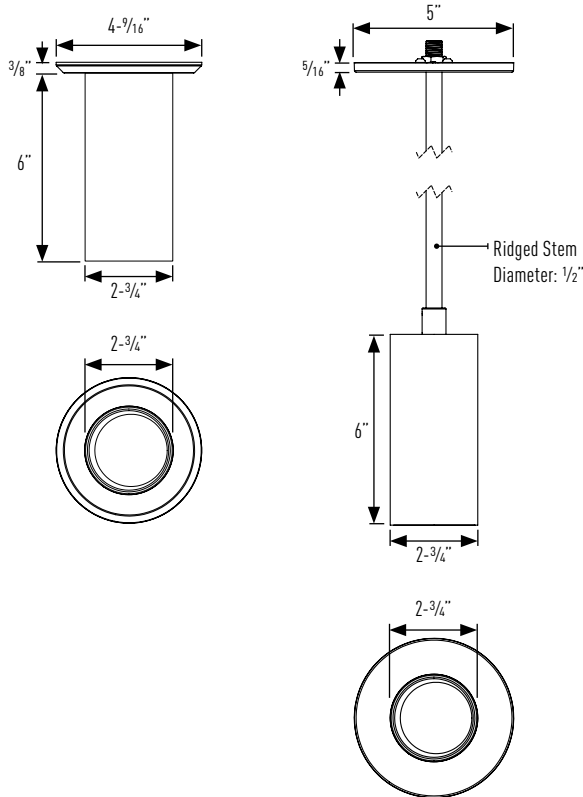
©2023 Intense Lighting, LLC. All rights reserved. Subject to change without notice.



GC2WR

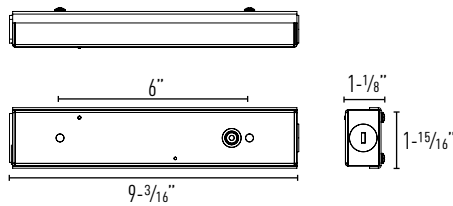
2" Gravity LED Wall Wash Cylinder

JOB NAME		CATALOG NUMBER	
NOTES		TYPE	



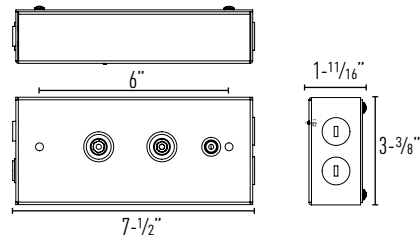
Remote Mounted Driver Options

Remote box included when required by specification



Remote driver box for cable mount option with 0-10V dimming

Note: Wires for class 2 LED driver require a minimum of 18 AWG wire at a maximum of 50 feet length per local and national electrical regulations. Above ceiling access required for servicing



Remote driver box for eldoLED and Lutron® dimming options

Note: Wires for class 2 LED driver require a minimum of 18 AWG wire at a maximum of 50 feet length per local and national electrical regulations. Above ceiling access required for servicing

GC2WR

2" Gravity LED Wall Wash Cylinder

JOB NAME		CATALOG NUMBER	
NOTES		TYPE	

GC2WRL3

Report #: ILL20181024-1.003
 Reflector Finish: White
 Luminaire Watts: 20W
 Luminaire Lumens: 982lm
 Lumens Per Watt: 49.1
 Color Temperature: 3000K
 Color Rendering Index: 82

LED PACKAGE MULTIPLIERS:

IRWT200WL1 (x 0.58)
 IRWT200WL2 (x 0.82)

CCT MULTIPLIERS:

	82 CRI	92 CRI
2700K	(x 0.93)	(x 0.76)
3000K	(x 1.00)	(x 0.87)
3500K	(x 1.00)	(x 0.87)
4000K	(x 1.00)	(x 0.87)

(A) Distance From Ceiling	2' From Wall On 2' Centers	3' From Wall On 2' Centers	3' From Wall On 3' Centers
	□ 2' □	□ 2' □	□ 3' □
1'	12 12 12	4 4 4	3 3 3
2'	34 35 34	11 11 11	8 8 8
3'	43 43 43	21 22 21	15 15 15
4'	34 35 34	26 27 26	19 19 19
5'	24 24 24	24 25 24	18 18 18
6'	16 27 16	20 20 20	15 15 15
7'	11 12 11	15 15 15	12 12 12
8'	8 8 8	11 12 11	9 10 9
9'	6 6 6	9 9 9	7 7 7
10'	4 4 4	7 7 7	6 6 6
11'	3 3 3	5 5 5	4 5 4
12'	3 3 3	4 4 4	4 4 4

Example: Two luminaires located 2' from wall and spaced 2' on center, the illumination on the wall 3' down from ceiling will be 11fc beneath units and 12fc between units

