

GC4DR

4" Gravity TunableWhite LED Downlight Cylinder

JOB NAME		CATALOG NUMBER	
NOTES		TYPE	

ELECTRICAL DATA

LED Light Engine	Nominal Delivered Lumen*	System Wattage**
TW1	1000LM @ 3500K / 92CRI	12W
TW2	1500LM @ 3500K / 92CRI	18W
TW3	2000LM @ 3500K / 92CRI	24W
TW4	2500LM @ 3500K / 92CRI	32W
TW5	3000LM @ 3500K / 92CRI	39W

* Delivered lumen output will vary depending on CCT, CRI, optic and reflector finish | ** System Wattage includes driver and LED Module consumption.

FEATURES

- High performance cylinder extruded from aluminum in durable powder coat finishes.

LED LIGHT ENGINE

- Wattage: 12W to 44W
- Rated life of >50,000 hours L70 based on LED testing per LM-80-08 and projected values using IESNA TM21-11

DIMMING

- eldoLED Dual Drive 2CH 0-10V 0.1%
- Lutron T-Series 1% 2CH tunable white driver
- DMX512 RDM 8-bit 0.1%
- eldoLED Dual Drive DALI DT6 0.1%
- eldoLED Dual Drive DALI DT8 0.1%

OPTICS

- 20° Spot, 30° Narrow Flood, 40° Flood and 50° Wide Flood
- Optics and filter media are field customizable

ELECTRICAL SYSTEM

- 120V/277V Power factor >.9, 50/60Hz
- This product complies with IEEE C62.41 for surge endurance up to 2.5KV. Additional surge protection recommended. Damage from power surge is not covered by warranty.

REFLECTOR

Specification grade reflector with 1.5mm thickness. Reflector available in haze, white, clear or black finish. Consult factory for other colors. Architectural, discrete polished self flange standard. Meets RP-1 requirements with controlled light distribution at a 55° cut off.

MOUNTING

- Surface mount for direct installation to 3" or 4" Octagonal J-Box.
- 144" Aircraft cable is supplied with canopy assembly.
- Aircraft cable with DMX dimming, supplied with smart canopy.
- Wall mount bracket for installation to 4" Octagonal J-Box.
- Pendant stems supplied with complete canopy assembly.
- Supplied aircraft cables and slope pendant stems are cuttable and can be modified in the field.

ACCESSORIES

Luminaire will accommodate (2) accessories, accessory holder required.

LISTING / WARRANTY

- ETL Listed to US and Canadian standards for damp locations
- 5-Year Intense LED Limited Warranty



Gravity™



Dimension are on Page 2

Accessories

LH63	(Black Accessory Holder)
LH63W	(White Accessory Holder)
PFL2-63	(Linear Spread Lens)
PFL4-63	(Solite Soft Focus Lens)
PFLMB-63	(Black Hex Louver)

Replacement Optics

IP-OP63SP	(20° Spot Optic)
IP-OP63NF	(30° Narrow Flood Optic)
IP-OP63FL	(40° Flood Optic)
IP-OP63WF	(50° Wide Flood Optic)

Cylinder Part Number (Example: GC4DRTW1LUTT-SPWWP12)

Cylinder	Wattage	CCT / CRI	Dimming	Voltage	Optic
GC4DR	TW1 (12W)	blank (TunableWhite)	-ED10V01 (eldoLED Dual Drive 2CH 0-10V 0.1%)	blank (120V/277V)	-SP (20° Spot)
	TW2 (18W)	2700K-6500K / 92 CRI)	-LUTT (Lutron® T Series 1%)		-NF (30° Narrow Flood)
	TW3 (24W)		-DMXR (DMX512 RDM 0.1%)		-FL (40° Flood)
	TW4 (32W)		-DALI6 (eldoLED Dual Drive DALI DT6 0.1%)		-WF (50° Wide Flood)
	TW5 (39W)		-DALI8 (eldoLED Dual Drive DALI DT8 0.1%)		

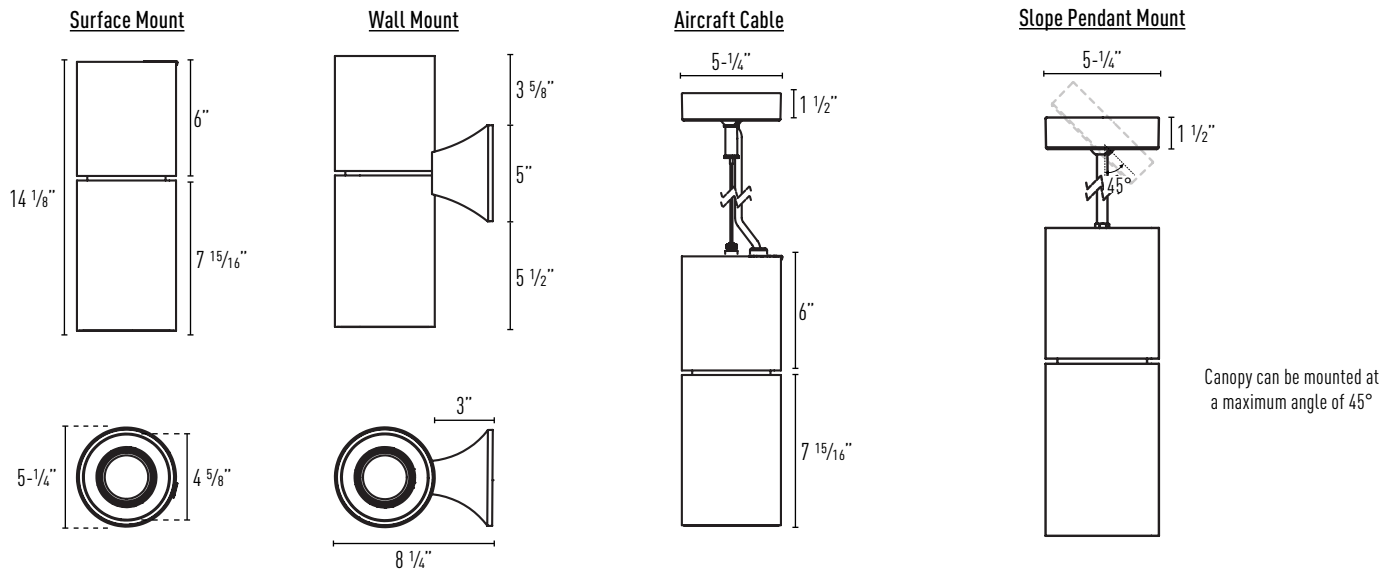
Cylinder Finish	Reflector Finish	Mounting
W (White)	HZ (Haze)	C144 (144" Aircraft Cable)
B (Black)	W (White)	P12 (12" Slope Pendant)
SV (Silver)	C (Clear)	P24 (24" Slope Pendant)
	B¹ (Black)	P36 (36" Slope Pendant)
		P48 (48" Slope Pendant)
		P96 (96" Slope Pendant)
		WB (Wall Bracket)
		S (Surface)

Notes:
1. Special order, consult factory for lead times

GC4DR

4" Gravity TunableWhite LED Downlight Cylinder

JOB NAME		CATALOG NUMBER	
NOTES		TYPE	



ELECTRICAL DATA TABLE

Lumen Package	CCT	120V	277V
TW1	2700K	14W	16W
	3500K	12W	14W
	6500K	12W	14W
TW2	2700K	22W	23W
	3500K	18W	19W
	6500K	17W	19W
TW3	2700K	29W	30W
	3500K	24W	25W
	6500K	23W	24W
TW4	2700K	40W	40W
	3500K	32W	34W
	6500K	30W	31W
TW5	2700K	50W	49W
	3500K	39W	41W
	6500K	41W	39W

*Notes: System Wattage includes driver and LED Module consumption