

# GD2DR

## 2" Gravity LED Downlight

<b>JOB NAME</b>		<b>CATALOG NUMBER</b>	
<b>NOTES</b>		<b>TYPE</b>	

### ELECTRICAL DATA

LED Light Engine	Nominal Delivered Lumens*	System Wattage**
L1	850lm @ 3000K / 82CRI	10 Watts
L2	1200lm @ 3000K / 82CRI	15 Watts
L3	1500lm @ 3000K / 82CRI	20 Watts

\* Delivered Lumens will vary depending on CCT, CRI, optic and reflector finish.

\*\* System Wattage includes driver and LED Module consumption.

### FEATURES

- Field changeable 16° to 60° Optics
- Integral field changeable accessory holder
- In-field adjustable module height accommodates 1/2" to 1-1/4" ceiling thickness

### LED LIGHT ENGINE

- 10W, 15W & 20W
- 16° to 60° Optics: 2 SDCM, 82/92CRI in 2700K, 3000K, 3500K & 4000K
- Rated life of >50,000 hours L70 based on LED testing per LM-80-08 and projected values using IESNA TM21-11

### OPTICS

- Field changeable 16° Spot, 24° Narrow Flood, 36° Flood, 48° Wide Flood and 60° Very Wide Flood
- Accepts (2) field changeable filter media

### ELECTRICAL SYSTEM

- 120V/277V input; Power factor >.9, 50/60Hz
- This product complies with IEEE C62.41 for surge endurance up to 2.5KV. Additional surge protection recommended. Damage from power surge is not covered by warranty.

### HOUSING

- Heavy duty black powder coated 18 gauge steel frame
- Accommodates 1/2" to 1-1/4" Ceilings
- Integral driver compartment with below ceiling access

### EMERGENCY BACKUP

- Remote test switch included. External Battery operates LED load @ 7-25 nominal delivered Lumens. Servicing requires above ceiling access.
- Available with IC and AIC housings only.

### INSTALLATION

- IC and Non-IC Rated housing types, must specify. (Remodel housings are Non-IC only) Non-IC rated housings must be kept at a minimum of 3" away from insulation
- Remodel housings requires 5-1/2" of plenum space for installation and serviceing.
- Adjustable (10-3/4" to 25") joist/grid ceiling bar hangers included (Hanger bars does not allow for height adjustments)

### REFLECTOR

- Specification grade 1.0mm spun aluminum reflector
- Deep cone option for maximum visual comfort and 15° of adjustability
- Reflector available in black, white or haze finishes (Consult factory for other finishes)
- Architectural, discrete polished self flange (**Note:** Not available with trimless trims)

### DIMMING

- Phase dimming, Forward 1% & Reversed 5% (120V only)
- 0-10V 1% Dimming 1%
- EldoLED SOLOdrive 0-10V 0.1%
- EldoLED ECOdrive 0-10V 1%
- Lutron® LDE1 Hi-Lume 1% EcoSystem LED driver with Soft-on, Fade-to-Black dimming technology

### REMOTE BOX

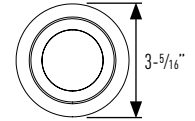
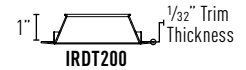
- Remote box included when required by specification (eldoLED or Lutron dimming option). Available with IC and AIC housings only.
- Above ceiling access required for servicing
- Galvanized steel construction with separate line voltage and low voltage wiring compartments
- 50ft remote distance maximum

### LISTING / WARRANTY

- 5-Year Intense LED Limited Warranty
- ETL Listed to US and Canadian standards for damp locations
- (-IC / -AIC Only) ETL listed for direct contact w/insulation
- (-AIC Only) Air-Tight Certified ASTM E283.
- (-AIC Only) Can be used to comply with Title 24, Part 6, JA8 high efficacy LED light source requirements

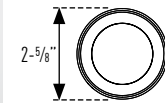
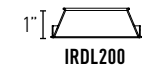


### Trimmed Reflectors

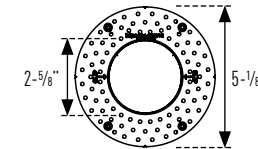


Ceiling Cutout: 2-7/8"

### Trimless Reflectors



Ceiling Cutout: 2-7/8"



**Trimless Mud Flanged:** Perforated collar for seamless and trimless mounting. Must be ordered separately and can only be used in conjunction with trimless trims.

### Available Trim Finishes



### Housing Part Number: (Example: GD2DRNCL1279DIMSP)

Housing	Installation Type	Wattage	CCT / CRI	Dimming	Voltage	Optic	Options
GD2DR	NC (New Cons Non-IC) NIC <sup>1</sup> (New Cons IC-Rated) NAIC <sup>1</sup> (New Cons Air-Tight IC) RC (Remodel Non-IC)	L1 (10W)	27 (2700K / 82CRI)	DIM <sup>2</sup> (Phase Dimming) D101 (0-10V Dimming 1%) ED10V1 <sup>1,3</sup> (eldoLED 0-10V 1%) ED10V01 <sup>1,3</sup> (eldoLED 0-10V 0.1%) LUT <sup>1,3</sup> (Lutron® LDE1 EcoSystem 1%)	blank (120V) 27 (277V)	SP (16° SP) NF (24° NFL) FL (36° FL) WF (48° WFL) VF (60° VFL)	EM7 <sup>1,3,4</sup> (7W Emergency Backup IOTA part #ILB-CP07-A)
		L2 (15W)	279 (2700K / 92CRI)				
		L3 (20W)	30 (3000K / 82CRI)				
			309 (3000K / 92CRI)				
			35 (3500K / 82CRI)				
			359 (3500K / 92CRI)				
			40 (4000K / 82CRI)				
			409 (4000K / 92CRI)				

### Reflector Part Number: (Example: IRDT200W-SF)

Reflector	Reflector Finish	Trim	Optional Accessory
IRDT200 (1" Regress Trim)	W (White)	-SF (Self Flanged)	GD2R-MR <sup>5</sup> Round Trimless Mud Ring
IRDL200 <sup>5</sup> (1" Regress Trimless)	B <sup>6</sup> (Black)	blank <sup>5</sup> (Trimless)	Filter Media
	HZ (Haze)		PFL2-45 Hex Louver
			PFL4-45 Soft Focus Film
			PFL-LS-45 Linear Spread

### Notes:

- Not available with L3
- Available in 120V only
- Remote driver box required for eldoLED, Lutron and EM back up. Compatible with IC and AIC rated housings only.
- Emergency backup available with IC and AIC housings only
- Trimless options are for use with mud ring accessory only
- Consult factory for lead times

GRAVITY LM-0906.23 P-1

### Intense Lighting

3340 E La Palma Ave, Anaheim, CA 92806 | tel 714 630-9877 | fax 714 630-9883

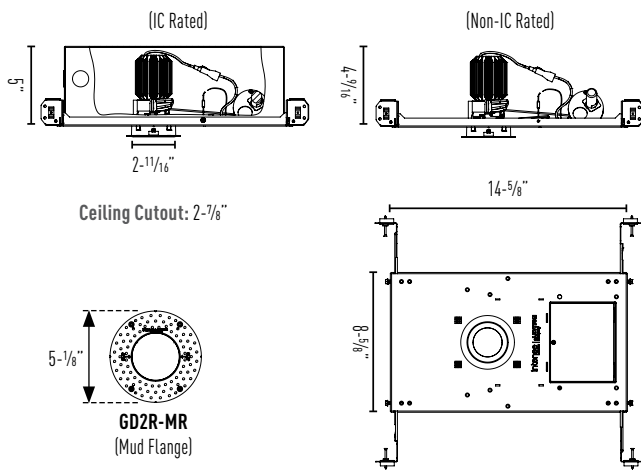
©2023 Intense Lighting, LLC. All rights reserved. Subject to change without notice.

# GD2DR

## 2" Gravity LED Downlight

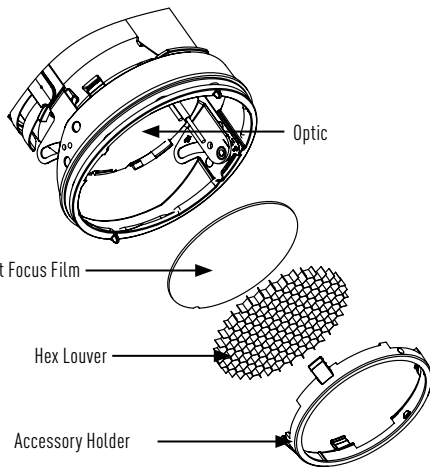
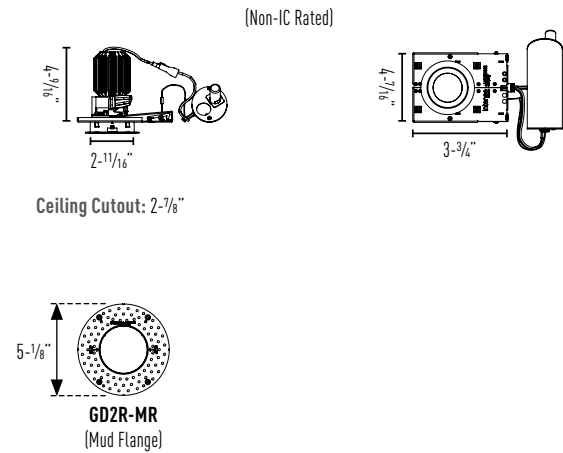
<b>JOB NAME</b>		<b>CATALOG NUMBER</b>	
<b>NOTES</b>		<b>TYPE</b>	

### New Construction Dimension (IC & Non-IC):



### Remodel Dimension (Non-IC):

Remodel housings requires 5-1/2" of plenum space for installation and servicing.



### Optics

Field changeable 16° to 60° Optics

- IP-OP45SP (16° Spot)
- IP-OP45NF (24° Narrow Flood)
- IP-OP45FL (36° Flood)
- IP-OP45WF (48° Wide Flood)
- IP-OP45VF (60° Very Wide Flood)

### Accessories

- PFL2-45 Hex Louver
- PFL4-45 Soft Focus Film
- PFL-LS-45 Linear Spread

### Remote Mounted Driver

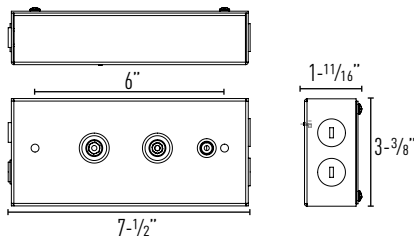
(For use with IC/AIC housings with eldoLED or Lutron dimming option)

- Remote box included when required by specification (eldoLED or Lutron dimming option). Available with IC and AIC housings only.
- Above ceiling access required for servicing
- Galvanized steel construction with separate line voltage and low voltage wiring compartments
- 50ft remote distance maximum

### Remote Driver Box For Dimming Options

- eldoLED 0-10V 1%
- eldoLED 0-10V 0.1%
- Lutron® LDE1 EcoSystem 1%
- Lutron® LTEA2W 2-Wire 1%

**Note:** Wires for class 2 LED driver require a minimum of 18 awg wire at a maximum of 50 feet length per local and national electrical regulations.



# GD2DR

## 2" Gravity LED Downlight

JOB NAME		CATALOG NUMBER	
NOTES		TYPE	

### IRDT200WL3

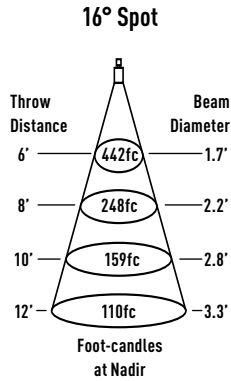
Report #: ILL-20190114-1 (16)  
 ILL-20190114-1 (24)  
 ILL-20190114-1 (36)  
 ILL-20190114-1 (48)  
 ILL-20190114-1 (60)

LED PACKAGE MULTIPLIERS:  
 IRDT200WL1 (x 0.58)  
 IRDT200WL2 (x 0.82)

IRRT200 (% REGRESS)  
 Trim Multiplier (x 0.99)

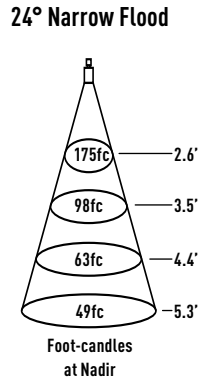
#### CCT MULTIPLIERS:

	82CRI	92CRI
2700K	(x 0.93)	(x 0.76)
3000K	(x 1.00)	(x 0.87)
3500K	(x 1.00)	(x 0.87)
4000K	(x 1.00)	(x 0.87)



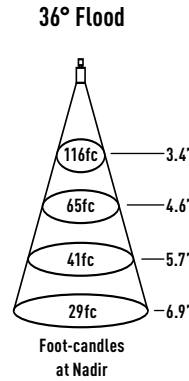
Watts: 20 LPW: 79.4  
 Lumens: 1589 CCT: 3000K

Intensity	
Degree	CBCP
0°	15914
5°	13019
15°	1498
25°	276
35°	44
45°	13



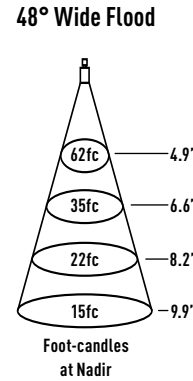
Watts: 20 LPW: 76  
 Lumens: 1527 CCT: 3000K

Intensity	
Degree	CBCP
0°	6324
5°	5589
15°	2374
25°	607
35°	148
45°	25



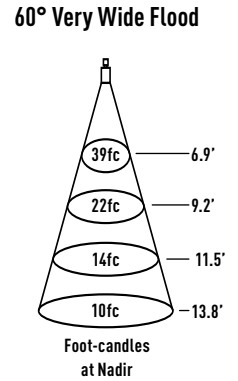
Watts: 20 LPW: 74  
 Lumens: 1497 CCT: 3000K

Intensity	
Degree	CBCP
0°	4199
5°	3903
15°	2274
25°	789
35°	233
45°	44



Watts: 20 LPW: 69  
 Lumens: 1390 CCT: 3000K

Intensity	
Degree	CBCP
0°	2246
5°	2166
15°	1676
25°	924
35°	385
45°	103



Watts: 20 LPW: 66  
 Lumens: 1333 CCT: 3000K

Intensity	
Degree	CBCP
0°	1435
5°	1393
15°	1242
25°	921
35°	504
45°	170