

GD2WR

2" Gravity LED Wall Wash

ELECTRICAL DATA

LED Light Engine	Nominal Delivered Lumens*	System Wattage**
L1	480lm @ 3000K / 82CRI	10 Watts
L2	680lm @ 3000K / 82CRI	15 Watts
L3	825lm @ 3000K / 82CRI	20 Watts

* Delivered Lumens will vary depending on CCT, CRI, optic and reflector finish.

** System Wattage includes driver and LED Module consumption.

FEATURES

- Toolless adjustability with 360° of rotation
- In-field adjustable module height accommodates 1/2" to 1-1/4" ceiling thickness
- Uniform vertical and horizontal distribution

LED LIGHT ENGINE

- 10W, 15W & 20W
- 2 SDCM, 82/92CRI in 2700K, 3000K, 3500K & 4000K
- Rated life of >50,000 hours L70 based on LED testing per LM-80-08 and projected values using IESNA TM21-11

OPTICS

- Uniform vertical and horizontal distribution

ELECTRICAL SYSTEM

- 120V/277V input; Power factor >.9, 50/60Hz
- This product complies with IEEE C62.41 for surge endurance up to 2.5KV. Additional surge protection recommended. Damage from power surge is not covered by warranty.

HOUSING

- Heavy duty black powder coated 18 gauge steel frame
- Accommodates 1/2" to 1-1/4" Ceilings
- Integral driver compartment with below ceiling access

EMERGENCY BACKUP

- Remote test switch included. External Battery operates LED load @ 725 nominal delivered Lumens. Servicing requires above ceiling access.
- Available with IC and AIC housings only.

INSTALLATION

- IC and Non-IC Rated housing types, must specify. (Remodel housings are Non-IC only) Non-IC rated housings must be kept at a minimum of 3" away from insulation
- Remodel housings requires 5-1/2" of plenum space for installation and servicing.
- Adjustable (10-3/4" to 25") joist/grid ceiling bar hangers included (Hanger bars does not allow for height adjustments)

REFLECTOR

- Specification grade 1.0mm spun aluminum reflector
- Reflector available in black, white or haze finishes (Consult factory for other finishes)
- Architectural, discrete polished self flange (**Note:** Not available with trimless trims)
- High performance wall wash with asymmetric distribution provides uniform vertical illumination

DIMMING

- Phase dimming, Forward 1% & Reversed 5% (120V only)
- 0-10V 1% Dimming 1%
- EldoLED SOLdrive 0-10V 0.1%
- EldoLED ECOdrive 0-10V 1%
- Lutron® LDE1 Hi-Lume 1% EcoSystem LED driver with Soft-on, Fade-to-Black dimming technology

REMOTE BOX

- Remote box included when required by specification (eldoLED or Lutron dimming option). Available with IC and AIC housings only.
- Above ceiling access required for servicing
- Galvanized steel construction with separate line voltage and low voltage wiring compartments
- 50ft remote distance maximum

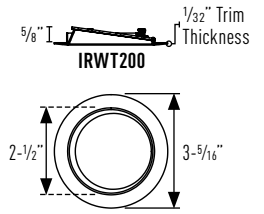
LISTING / WARRANTY

- 5-Year Intense LED Limited Warranty
- ETL Listed to US and Canadian standards for damp locations
- (-IC / -AIC Only) ETL listed for direct contact w/insulation
- (-AIC Only) Air-Tight Certified ASTM E283.
- (-AIC Only) Can be used to comply with Title 24, Part 6, JA8 high efficacy LED light source requirements



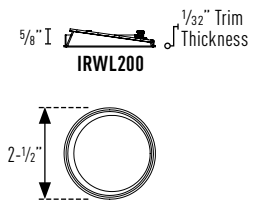
JOB NAME	CATALOG NUMBER
NOTES	TYPE

Trimmed Reflectors

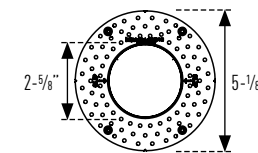


Ceiling Cutout: 2-7/8"

Trimless Reflectors



Ceiling Cutout: 2-7/8"



Trimless Mud Flanged:
Perforated collar for seamless and trimless mounting. Must be ordered separately and can only be used in conjunction with trimless trims.

Available Trim Finishes



Housing Part Number: (Example: GD2WRNCL1279DIMSP)

Housing	Installation Type	Wattage	CCT / CRI	Dimming	Voltage	Options
GD2WR	NC (New Cons Non-IC) NIC¹ (New Cons IC-Rated) NAIC¹ (New Cons Air-Tight IC) RC (Remodel Non-IC)	L1 (10W)	27 (2700K / 82CRI)	DIM² (Phase Dimming) D101 (0-10V Dimming 1%) ED10V1^{1,3} (eldoLED 0-10V 1%) ED10V01^{1,3} (eldoLED 0-10V 0.1%) LUT^{1,3,3} (Lutron® LDE1 EcoSystem 1%)	blank (120V) 27 (277V)	EM7^{1,3,4} (7W Emergency Backup IOTA part #ILB-CP07-A)
		L2 (15W)	279 (2700K / 92CRI)			
		L3 (20W)	30 (3000K / 82CRI)			
			309 (3000K / 92CRI)			
			35 (3500K / 82CRI)			
			359 (3500K / 92CRI)			
			40 (4000K / 82CRI)			
			409 (4000K / 92CRI)			

Reflector Part Number: (Example: IRWT200W-SF)

Reflector	Reflector Finish	Trim	Optional Accessory
IRWT200 (5/8" Regress Trim)	W (White)	-SF (Self Flanged)	GD2R-MR⁵ Round Trimless Mud Ring
IRWL200⁵ (5/8" Regress Trimless)	B⁶ (Black)	blank ⁵ (Trimless)	
	HZ (Haze)		

Notes:

1. Not available with L3
2. Available in 120V only
3. Remote driver box required for eldoLED, Lutron and EM back up. Compatible with IC and AIC rated housings only.
4. Emergency backup available with IC and AIC housings only
5. Trimless options are for use with mud ring accessory only
6. Consult factory for lead times

GRAVITY L/M-0901:23 P-1

Intense Lighting

3340 E La Palma Ave, Anaheim, CA 92806 | tel 714 630-9877 | fax 714 630-9883

©2023 Intense Lighting, LLC. All rights reserved. Subject to change without notice.

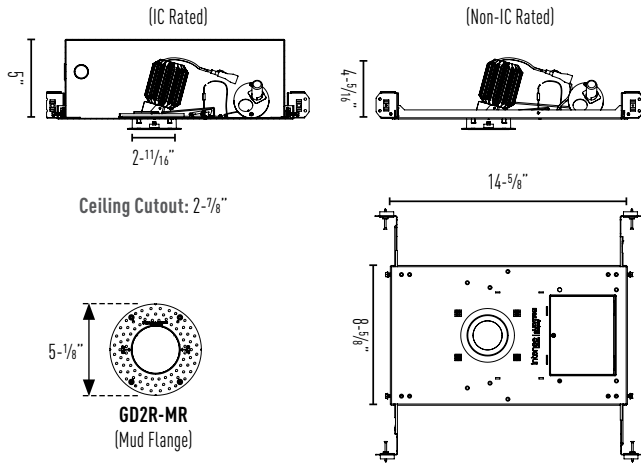
intense® | a LEVITON® company

GD2WR

2" Gravity LED Wall Wash

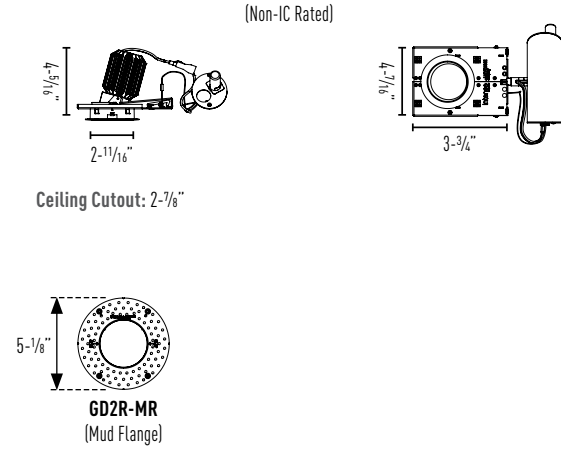
JOB NAME		CATALOG NUMBER	
NOTES		TYPE	

New Construction Dimension (IC & Non-IC):



Remodel Dimension (Non-IC):

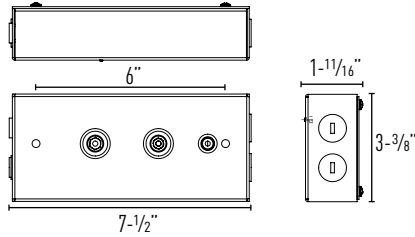
Remodel housings requires 5-1/2" of plenum space for installation and servicing.



Remote Mounted Driver

(For use with IC/AIC housings with eldoLED or Lutron dimming option)

- Remote box included when required by specification (eldoLED or Lutron dimming option). Available with IC and AIC housings only.
- Above ceiling access required for servicing
- Galvanized steel construction with separate line voltage and low voltage wiring compartments
- 50ft remote distance maximum



Remote Driver Box For Dimming Options

- eldoLED 0-10V 1%
- eldoLED 0-10V 0.1%
- Lutron® LDE1 EcoSystem 1%
- Lutron® LTEA2W 2-Wire 1%

Note: Wires for class 2 LED driver require a minimum of 18 awg wire at a maximum of 50 feet length per local and national electrical regulations.

GD2WR

2" Gravity LED Wall Wash

JOB NAME		CATALOG NUMBER	
NOTES		TYPE	

IRWT200WL3

Report #: ILL-20190114-1
 Reflector Finish: White
 Luminaire Watts: 20W
 Luminaire Lumens: 825lm
 Lumens Per Watt: 41.25
 Color Temperature: 3000K
 Color Rendering Index: 82

LED PACKAGE MULTIPLIERS:

IRWT200WL1 (x 0.58)
 IRWT200WL2 (x 0.82)

CCT MULTIPLIERS:

	82CRI	92CRI
2700K	(x 0.93)	(x 0.76)
3000K	(x 1.00)	(x 0.87)
3500K	(x 1.00)	(x 0.87)
4000K	(x 1.00)	(x 0.87)

(A) Distance From Ceiling	2' From Wall On 2' Centers	3' From Wall On 2' Centers	3' From Wall On 3' Centers
	□ 2' □	□ 2' □	□ 3' □
1'	18 18 18	7 7 7	5 5 5
2'	31 32 31	14 14 14	11 11 11
3'	33 35 33	17 18 17	14 14 14
4'	29 30 29	18 19 18	15 15 15
5'	22 23 22	17 18 17	14 15 14
6'	16 16 16	15 16 15	13 13 13
7'	11 12 11	13 13 13	11 11 11
8'	8 8 8	10 10 10	9 9 9
9'	6 6 6	8 8 8	7 7 7
10'	4 4 4	6 6 6	6 6 6
11'	3 3 3	5 5 5	5 5 5
12'	3 3 3	4 4 4	4 4 4

Example: Two luminaires located 2' from wall and spaced 2' on center, the illumination on the wall 3' down from ceiling will be 11fc beneath units and 12fc between units

