

GD4AS / ISA400

4" Gravity TunableWhite LED Square Adjustable

JOB NAME		CATALOG NUMBER	
NOTES		TYPE	

ELECTRICAL DATA

LED Light Engine	Nominal Delivered Lumen*	System Wattage**
TW1	1000lm @ 3500K / 92CRI	13W
TW2	1500lm @ 3500K / 92CRI	19W
TW3	2000lm @ 3500K / 92CRI	25W
TW4	2500lm @ 3500K / 92CRI	33W
TW5	3000lm @ 3500K / 92CRI	40W

* Delivered lumen output will vary depending on CCT, CRI, optic and reflector finish | ** System Wattage includes driver and LED Module consumption.

FEATURES

- Tuning range from 2700K-6500K at a minimum of 92 CRI
- 3 SDCM binning options for both warm white (2700K) and cool white (6500K)
- Zero cut off up to 40° vertical adjustment ensures high delivered lumens through precise center beam optics
- Fixed collar accepts up to 1-1/4" ceiling via hanger bar notches

LED LIGHT ENGINE

- Wattage: 13W to 40W
- Rated life of >50,000 hours L70 based on LED testing per LM-80-08 and projected values using IESNA TM21-11

DIMMING

- eldoLED Dual Drive 2CH 0-10V 0.1%
- Lutron T-Series 1% 2CH tunable white driver
- DMX512 RDM 8-bit 0.1%
- eldoLED Dual Drive DALI DT6 0.1%
- eldoLED Dual Drive DALI DT8 0.1%

OPTICS

- 20° Spot, 30° Narrow Flood, 40° Flood and 50° Wide Flood
- Optics and filter media are field customizable

ELECTRICAL SYSTEM

- 120V/277V Power factor >.9, 50/60Hz
- This product complies with IEEE C62.41 for surge endurance up to 2.5KV. Additional surge protection recommended. Damage from power surge is not covered by warranty.

FRAME CONSTRUCTION

Constructed from 16 and 18 gauge heavy duty powder coated cold rolled steel frame with a large access junction box. ETL listed for through wiring. LED light engine and driver are accessible from above or below ceiling. Horizontal rotation on 90° turns and accommodates ±15° horizontal aiming adjustment off center.

REFLECTOR

Specification grade reflector with 1.5mm thickness. Reflector available in haze, white, clear, black or wheat finish. Consult factory for other colors. Architectural, discrete polished self flange standard. Optional painted white flange is available.

INSTALLATION

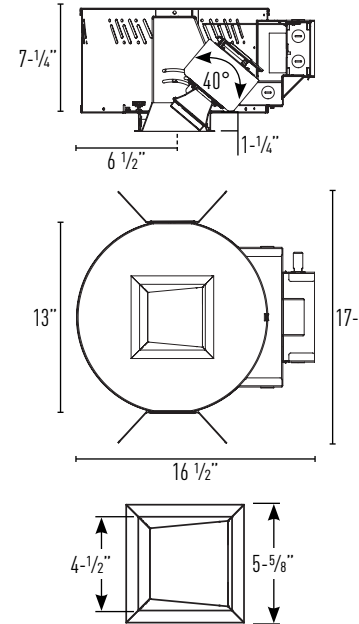
The luminaire is type Non-IC. Insulation must be kept at a minimum of 3" away from fixture. Accommodates ceiling thickness from 1/2" to 1-1/4". Universal mounting brackets included. Compatible with C-channel, flat bar, wood joist bar hanger and EMT. Bar hangers must be ordered separately. C-channel is recommended for T-bar ceilings. Max. ambient temperature: 95°F (35°C).

ACCESSORIES

Luminaire will accommodate (2) accessories, accessory holder required.

LISTING / WARRANTY

- ETL Listed to US and Canadian standards for damp locations
- 5-Year Intense LED Limited Warranty



Ceiling Cut Out: 5-1/4" x 5-1/4"
 Maximum Ceiling Thickness: 1-1/4"
 Minimum Ceiling Thickness: 1/2"

Housing Part Number: (Example: GD4ASTW1-ED10V01-NF)

Housing	Wattage	CCT / CRI	Dimming	Voltage	Optic
GD4AS	TW1 (13W)	blank (TunableWhite)	-ED10V01 (eldoLED Dual Drive 2CH 0-10V 0.1%)	blank (120V)	-SP (20° Spot)
	TW2 (19W)	2700K-6500K / 92 CRI)	-LUTT (Lutron® T Series 1%)	27 (277V)	-NF (30° Narrow Flood)
	TW3 (25W)		-DMXR (DMX512 RDM 0.1%)		-FL (40° Flood)
	TW4 (33W)		-DALI6 (eldoLED Dual Drive DALI DT6 0.1%)		-WF (50° Wide Flood)
	TW5 (40W)		-DALI8 (eldoLED Dual Drive DALI DT8 0.1%)		

Reflector Part Number: (Example: ISA400HZ-SF)

Reflector	Reflector Finish	Trim
ISA400	HZ (Haze)	-SF (Self Flanged)
	W (White)	-SFW (Self Flanged White)
	C (Clear)	
	B' (Black)	
	WHT' (Wheat)	

Accessories

LH63	(Black Accessory Holder)
LH63W	(White Accessory Holder)
PFL2-63	(Linear Spread Lens)
PFL4-63	(Solite Soft Focus Lens)
PFLMB-63	(Black Hex Louver)
I100	(C-Channel Bar Hangers)
I200	(Flat Bar Hangers)
I400	(Wood Joist Bar Hangers)

Replacement Optics

IP-OP63SP	(20° Spot Optic)
IP-OP63NF	(30° Narrow Flood Optic)
IP-OP63FL	(40° Flood Optic)
IP-OP63WF	(50° Wide Flood Optic)

Notes:
 1. Consult factory for lead times

GRAVITY LM-0730-20 P-5

INTENSE LIGHTING | 3340 E La Palma Ave, Anaheim, CA 92806 | tel 714 630-9877 | fax 714 630-9883

For Intense Lighting's limited product warranty, go to www.intenselighting.com. For a printed copy of the warranty, you may call 800 961-5321.

© 2020 Intense Lighting, LLC. All rights reserved. Note: This document is subject to change without notice.

GD4AS / ISA400

4" Gravity TunableWhite LED Square Adjustable

JOB NAME		CATALOG NUMBER	
NOTES		TYPE	

ELECTRICAL DATA TABLE

Lumen Package	CCT	120V	277V
TW1	2700K	15W	18W
	3500K	13W	16W
	6500K	13W	16W
TW2	2700K	23W	25W
	3500K	19W	21W
	6500K	18W	21W
TW3	2700K	30W	32W
	3500K	25W	27W
	6500K	24W	26W
TW4	2700K	41W	42W
	3500K	33W	36W
	6500K	31W	33W
TW5	2700K	51W	51W
	3500K	40W	43W
	6500K	42W	41W

*Notes: System Wattage includes driver and LED Module consumption