

GD4DR / IRD400

4" Gravity Warm Dim Downlight

JOB NAME		CATALOG NUMBER	
NOTES		TYPE	

ELECTRICAL DATA

LED Light Engine	Delivered Lumens *	System Wattage **
WD3	1800lm @ 3000K-1800K / 92 CRI	27 Watts
WD4	2300lm @ 3000K-1800K / 92 CRI	34 Watts
WD5	2700lm @ 3000K-1800K / 92 CRI	43 Watts

* Delivered lumens output will vary depending on CCT, CRI, optic and reflector finish.

** System Wattage include driver and LED Module consumption.

FEATURES

- High delivered lumens maintained in ceiling from 1/2" to 2-1/4" using patent pending design
- Future proof luminaire with easy module install via twist-to-lock mounting and driver access through raised junction box

LED LIGHT ENGINE

- 3000K to 1800K Dimming at 92 CRI
- Rated life of >50,000 hours L70 based on LED testing per LM-80-08 and projected values using IESNA TM21-11

DIMMING

- Forward/reverse phase dimming (120V only)
- 0-10V 1% Dimming
- EldoLED SOLdrive 0-10V 0.1%
- EldoLED ECOdrive 0-10V 1%
- Lutron® LDE1 Hi-Lume 1% EcoSystem LED driver with Soft-on, Fade-to-Black dimming technology
- Lutron® LTEAZW Hi-Lume 1% 2-Wire LED driver (120V forward phase only)

ELECTRICAL SYSTEM (120V OR 277V)

- Power factor >.9, 50/60Hz
- This product complies with IEEE C62.41 for surge endurance up to 2.5KV. Additional surge protection recommended. Damage from power surge is not covered by warranty.

FRAME CONSTRUCTION

Constructed from 16 and 18 gauge heavy duty powder coated cold rolled steel frame with a large access junction box. ETL listed for through wiring. LED light engine and driver are accessible from above or below ceiling. Innovative collar is field selectable for ceiling thicknesses from 1/2" to 2-1/4" without reducing delivered lumens.

OPTICS

- 20° Spot, 30° Narrow Flood, 40° Flood & 50° Wide Flood
- Optics and filter media are field customizable

REFLECTOR

Specification grade reflector with 1.5mm thickness. Reflector available in clear, haze, white, wheat or black finish. Consult factory for other colors. Architectural, discrete polished self flange standard. Optional painted white flange is available. Meets RP-1 requirements with controlled light distribution at a 55° cut off.

INSTALLATION

The luminaire is type Non-IC. Insulation must be kept at a minimum of 3" away from fixture. Accommodates ceiling thickness from 1/2" to 2-1/4". Universal mounting brackets included. Compatible with C-channel, flat bar, wood joist bar hanger and EMT. Bar hangers must be ordered separately. C-channel is recommended for T-bar ceilings. Max. ambient temperature: 131°F (55°C).

EMERGENCY BACKUP

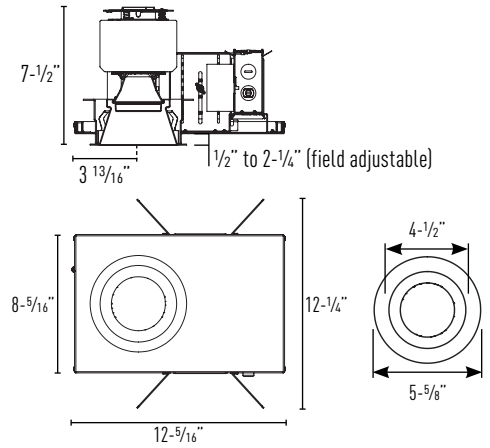
Remote test switch included. External battery operates LED load of up to 7W for 90 minutes (EM7), or 20W for 90 minutes (EM20).

ACCESSORIES

Luminaire will accommodate (2) accessories, accessory holder required.

LISTING / WARRANTY

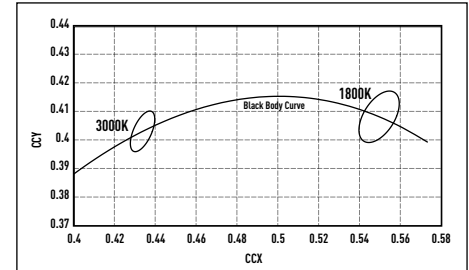
- ETL Listed to US and Canadian standards for damp locations
- 5-Year Intense LED Limited Warranty
- This product is covered by U.S. Pat. No. 10,274,148.



Ceiling Cut Out: 5-1/4"

Maximum Ceiling Thickness: 2-1/4"

Minimum Ceiling Thickness: 1/2"



Housing Part Number: (Example: GD4DRWD3-D101-NF)

Housing	Wattage	Dimming	Voltage	Optic	Options
GD4DR	WD3 (27 Watts)	-DIM ¹ (Phase Dimming)	blank (120V)	-SP (20° Spot)	EM7 (7W Emergency Backup IOTA part #ILB-CP07-A)
	WD4 (34 Watts)	-D101 (0-10V Dimming 1%)	27 (277V)	-NF (30° Narrow Flood)	EM20 (20W Emergency Backup w/ Remote Test Switch IOTA ILB-CP20-HE-S)
	WD5 (43 Watts)	-ED10V1 (eldoLED 0-10V 1%)		-FL (40° Flood)	I100 (C-Channel Bar Hangers)
		-ED10V01 (eldoLED 0-10V 0.1%)		-WF (50° Wide Flood)	I200 (Flat Bar Hangers)
		-LUT (Lutron® LDE1 EcoSystem 1%)			I400 (Wood Joist Bar Hangers)
		-LUT2 ¹ (Lutron® LTEAZW 2-Wire 1%)			
		-DMXR (DMX512 RDM 0.1%)			

Reflector Part Number: (Example: IRD400HZ-SF)

Reflector	Reflector Finish	Trim
IRD400	B ² (Black)	-SF (Self Flanged)
	C (Clear)	-SFW (Self Flanged White)
	HZ (Haze)	
	W (White)	
	WHT ² (Wheat)	

Accessories

LH63	(Black Accessory Holder)
PFL4-63	(Solite Soft Focus Lens)
PFLMB-63	(Black Hex Louver)

Notes:

- Available in 120V only
- Consult factory for lead times

GRAVITY LMB19.22 P-1

INTENSE LIGHTING | 3340 E La Palma Ave, Anaheim, CA 92806 | tel 714 630-9877 | fax 714 630-9883

For Intense Lighting's limited product warranty, go to www.intenselighting.com. For a printed copy of the warranty, you may call 800 961-5321.

© 2022 Intense Lighting, LLC. All rights reserved. Note: This document is subject to change without notice.

JOB NAME		CATALOG NUMBER	
NOTES		TYPE	

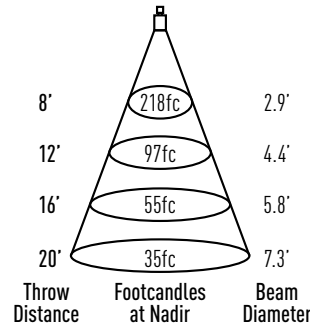
GD4DRWD5 / IRD400HZ

Report #: ILL201903011-1.001 (-20)
 ILL20190311-4.001 (-30)
 ILL20190315-3.001 (-40)
 ILL20190311-10.001 (-50)

LED Package Multipliers:

IRD400WD3 (x 0.67)
 IRD400WD4 (x 0.83)

20° Spot (-20)

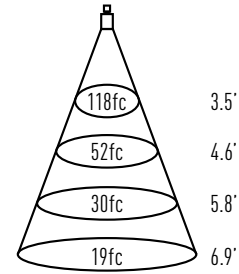


Watts: 43
 Lumens: 2918
 LPW: 68
 CCT: 3000K

Candelas at Nadir

Degree	CBCP
0°	13979
5°	12187
15°	3541
25°	1423
35°	194
45°	81

30° Narrow Flood (-30)

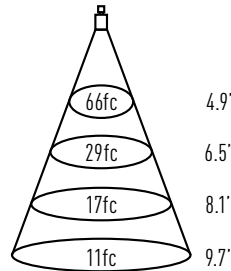


Watts: 43
 Lumens: 2953
 LPW: 68
 CCT: 3000K

Candelas at Nadir

Degree	CBCP
0°	7548
5°	6984
15°	4070
25°	1916
35°	327
45°	95

40° Flood (-40)

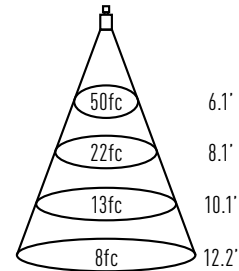


Watts: 43
 Lumens: 2612
 LPW: 60
 CCT: 3000K

Candelas at Nadir

Degree	CBCP
0°	4237
5°	4085
15°	3017
25°	1744
35°	600
45°	173

50° Wide Flood (-50)



Watts: 43
 Lumens: 2626
 LPW: 61
 CCT: 3000K

Candelas at Nadir

Degree	CBCP
0°	3203
5°	3126
15°	2575
25°	1783
35°	798
45°	272