

GD4DR / IRD402

4" Gravity Warm Dim Lensed Downlight - Wet Location

JOB NAME		CATALOG NUMBER	
NOTES		TYPE	

ELECTRICAL DATA

LED Light Engine	Delivered Lumens *	System Wattage **
WD3	1700lm @ 3000K-1800K / 92 CRI	27 Watts
WD4	2200lm @ 3000K-1800K / 92 CRI	34 Watts
WD5	2600lm @ 3000K-1800K / 92 CRI	43 Watts

* Delivered lumens output will vary depending on CCT, CRI, optic and reflector finish.

** System Wattage include driver and LED Module consumption.

FEATURES

- High delivered lumens maintained in ceiling from 1/2" to 2-1/4" using patent pending design
- Future proof luminaire with easy module install via twist-to-lock mounting and driver access through raised junction box

LED LIGHT ENGINE

- 3000K to 1800K dimming at 92 CRI
- Rated life of >50,000 hours L70 based on LED testing per LM-80-08 and projected values using IESNA TM21-11

DIMMING

- Forward/reverse phase dimming (120V only)
- 0-10V 1% Dimming
- EldoLED SOLoDrive 0-10V 0.1%
- EldoLED ECOdrive 0-10V 1%
- Lutron® LDE1 Hi-Lume 1% EcoSystem LED driver with Soft-on, Fade-to-Black dimming technology
- Lutron® LTEA2W Hi-Lume 1% 2-Wire LED driver (120V forward phase only)

ELECTRICAL SYSTEM (120V OR 277V)

- Power factor >.9, 50/60Hz
- Multiple dimming drivers available
- This product complies with IEEE C62.41 for surge endurance up to 2.5KV. Additional surge protection recommended. Damage from power surge is not covered by warranty.

FRAME CONSTRUCTION

Constructed from 16 and 18 gauge heavy duty powder coated cold rolled steel frame with a large access junction box. ETL listed for through wiring. LED light engine and driver are accessible from above or below ceiling. Innovative collar is field selectable for ceiling thicknesses from 1/2" to 2-1/4" without reducing delivered lumens.

OPTICS

- 20° Spot, 30° Narrow Flood, 40° Flood & 50° Wide Flood
- Optics are field customizable

REFLECTOR

Specification grade reflector with 1.5mm thickness. Reflector available in clear, haze, white, wheat or black finish. Consult factory for other colors. Regressed lens available in two lens types; Clear Tempered or Solite. Architectural, discrete polished self flange standard. Optional painted white flange is available. Meets RP-1 requirements with controlled light distribution at a 55° cut off.

INSTALLATION

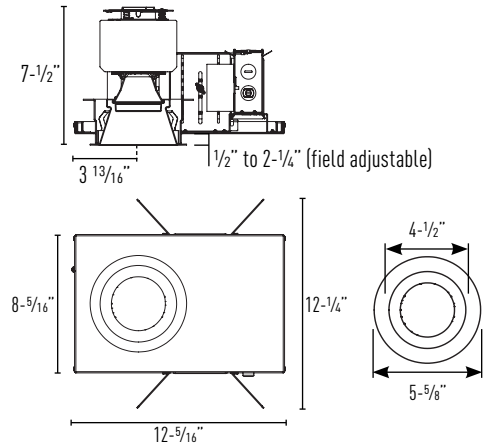
The luminaire is type Non-IC. Insulation must be kept at a minimum of 3" away from fixture. Accommodates ceiling thickness from 1/2" to 2-1/4". Universal mounting brackets included. Compatible with C-channel, flat bar, wood joist bar hanger and EMT. Bar hangers must be ordered separately. C-channel is recommended for T-bar ceilings. Max. ambient temperature: 131°F (55°C).

EMERGENCY BACKUP

Remote test switch included. External battery operates LED load of up to 7W for 90 minutes (EM7), or 20W for 90 minutes (EM20).

LISTING / WARRANTY

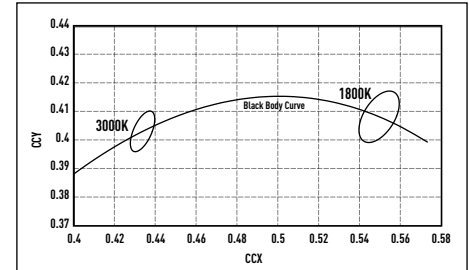
- ETL Listed to US and Canadian standards for wet locations
- 5-Year Intense LED Limited Warranty
- This product is covered by U.S. Pat. No. 10,274,148.



Ceiling Cut Out: 5-1/4"

Maximum Ceiling Thickness: 2-1/4"

Minimum Ceiling Thickness: 1/2"



Housing Part Number: (Example: GD4DRWD3-D101-NF)

Housing	Wattage	Dimming	Voltage	Optic	Options
GD4DR	WD3 (27 Watts)	-DIM ¹ (Phase Dimming)	blank (120V)	-SP (20° Spot)	EM7 (7W Emergency Backup IOTA part #ILB-CP07-A)
	WD4 (34 Watts)	-D101 (0-10V Dimming 1%)	27 (277V)	-NF (30° Narrow Flood)	EM20 (20W Emergency Backup w/ Remote Test Switch IOTA ILB-CP20-HE-S)
	WD5 (43 Watts)	-ED10V1 (eldoLED 0-10V 1%)		-FL (40° Flood)	I100 (C-Channel Bar Hangers)
		-ED10V01 (eldoLED 0-10V 0.1%)		-WF (50° Wide Flood)	I200 (Flat Bar Hangers)
		-LUT (Lutron® LDE1 EcoSystem 1%)			I400 (Wood Joist Bar Hangers)
		-LUT2 ¹ (Lutron® LTEA2W 2-Wire 1%)			
		-DMXR (DMX512 RDM 0.1%)			

Reflector Part Number: (Example: IRD402HZ-SF-CR)

Reflector	Reflector Finish	Trim	Lens Type
IRD402	B ² (Black)	-SF (Self Flanged)	-CR (Clear Tempered)
	C (Clear)	-SF ^W (Self Flanged White)	-SL (Solite)
	HZ (Haze)		
	W (White)		
	WHT ² (Wheat)		

Notes:

- Available in 120V only
- Consult factory for lead times

GRAVITY L/M819/22 P-3

INTENSE LIGHTING | 3340 E La Palma Ave, Anaheim, CA 92806 | tel 714 630-9877 | fax 714 630-9883

For Intense Lighting's limited product warranty, go to www.intenselighting.com. For a printed copy of the warranty, you may call 800 961-5321.

© 2022 Intense Lighting, LLC. All rights reserved. Note: This document is subject to change without notice.

JOB NAME		CATALOG NUMBER	
NOTES		TYPE	

GD4DRWD5 / IRD402HZ-CR

Report #: ILL20190311-3.001 (-20)
 ILL20190311-5.001 (-30)
 ILL20190315-4.001 (-40)
 ILL20190311-10.001 (-50)

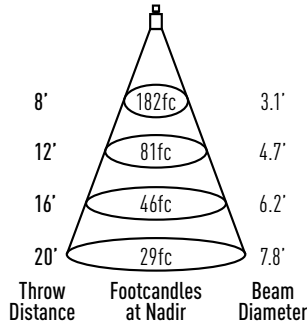
LED Package Multipliers:

IRD402WD3 (x 0.67)
 IRD402WD4 (x 0.83)

Lens Multiplier:

Solite Lens (x 0.92)
 Clear (x 1.00)

20° Spot (-20)

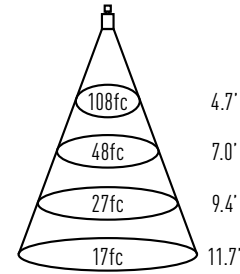


Watts: 43
 Lumens: 2731
 LPW: 64
 CCT: 3000K

Candelas at Nadir

Degree	CBCP
0°	12746
5°	11129
15°	3286
25°	1345
35°	201
45°	81

30° Narrow Flood (-30)

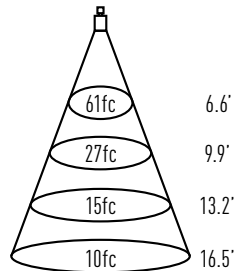


Watts: 43
 Lumens: 2777
 LPW: 64
 CCT: 3000K

Candelas at Nadir

Degree	CBCP
0°	6884
5°	6391
15°	3771
25°	1790
35°	332
45°	100

40° Flood (-40)

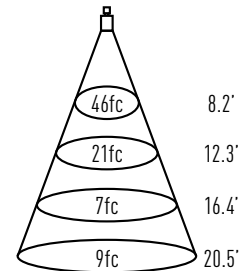


Watts: 43
 Lumens: 2472
 LPW: 57
 CCT: 3000K

Candelas at Nadir

Degree	CBCP
0°	3891
5°	3755
15°	2793
25°	1642
35°	594
45°	178

50° Wide Flood (-50)



Watts: 43
 Lumens: 2486
 LPW: 57
 CCT: 3000K

Candelas at Nadir

Degree	CBCP
0°	2966
5°	2896
15°	2397
25°	1677
35°	769
45°	271