

GD6WS / ISW600

6" Gravity Square LED Wall Wash

JOB NAME		CATALOG NUMBER	
NOTES		TYPE	

ELECTRICAL DATA: (Data Based On 3000K/82CRI Configuration)

LED Light Engine	Nominal Delivered Lumens *	System Wattage **	Efficacy	LED Light Engine	Nominal Delivered Lumens *	System Wattage **	Efficacy
L3	2000lm	23W	87 lm/W	L7	4000lm	50W	80 lm/W
L4	2500lm	30W	83 lm/W	L8	4500lm	75W	61 lm/W
L5	3000lm	43W	70 lm/W	L10	6000lm	87W	69 lm/W
L6	3500lm	49W	71 lm/W				

* Delivered lumen output will vary depending on CCT, CRI, optic and reflector finish. | ** System Wattage include driver and LED Module consumption.

LED LIGHT ENGINE

- 82/92 CRI, 2000K, 2500K, 3000K, 3500K, 4000K, 4500K, 6000K
- 2 Step MacAdam (2 SDCM)
- Rated life of >50,000 hours L70 based on LED testing per LM-80-08 and projected values using IESNA TM21-11

DIMMING

- Forward/Reverse Phase Dimming 5% (120V only)
- 0-10V Dimming 1%
- elDoLED 0-10V 0.1% or 1%
- Lutron® LDE1 Hi-Lume 1% EcoSystem LED driver with Soft-on, Fade-to-Black dimming technology
- DMX512 RDM 0.1%

FRAME CONSTRUCTION

Constructed from 16 gauge and 18 gauge heavy duty powder coated cold rolled steel frame with a large access junction box. ETL listed for through wiring. LED light engine and driver are accessible from above or below ceiling.

ELECTRICAL SYSTEM

- 120/277V Power factor >.9, 50/60Hz
- 347V available, consult factory
- Multiple dimming drivers available
- This product complies with IEEE C62.41 for surge endurance up to 2.5KV. Additional surge protection recommended. Damage from power surge is not covered by warranty.

REFLECTOR

Subtle diffuse spread lens provides uniform illumination and distribution. Specification grade reflector with 1.5mm thickness. Reflector available in black, clear, haze or white finish. Consult factory for other colors. Architectural, discrete polished self flange standard. Optional painted white flange is available.

INSTALLATION

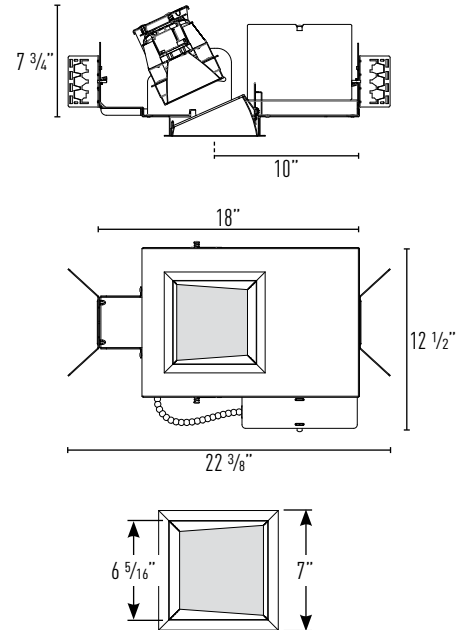
The luminaire is type Non-IC. Insulation must be kept at a minimum of 3" away from fixture. Accommodates up to 1 1/4" ceiling thickness. Universal mounting brackets included. Compatible with C-channel, flat bar, wood joist bar hanger and EMT. Bar hangers must be ordered separately. C-channel is recommended for T-bar ceilings. Max. ambient temperature: 95°F (35°C).

EMERGENCY BACKUP

Remote test switch included. External battery operates LED load of up to 20W at a minimum of 1500 lumens @ 3000K for 90 minutes (EM20).

LISTING / WARRANTY

- ETL Listed to US and Canadian standards for damp locations
- 5-Year Intense LED Limited Warranty



Ceiling Cut Out: 6 1/2" x 6 1/2"
Maximum Ceiling Thickness: 1 1/4"

Housing Part Number: (Example: GD6WSL327-DIMEM7)

Housing	Wattage	CCT / CRI	Dimming	Voltage	Options
GD6WS	L3 (23W)	27 (2700K / 82 CRI)	-DIM ¹ (Phase Dimming 5%)	blank (120V)	EM20 (20W Emergency Backup w/ Remote Test Switch IOTA ILB-CP20-HE-S)
	L4 (30W)	279 (2700K / 92 CRI)	-D101 (0-10V Dimming 1%)	27 (277V)	
	L5 (43W)	30 (3000K / 82 CRI)	-ED10V1 ² (elDoLED 0-10V 1%)	34 ⁴ (347V)	
	L6 (49W)	309 (3000K / 92 CRI)	-ED10V01 ² (elDoLED 0-10V 0.1%)		
	L7 (50W)	35 (3500K / 82 CRI)	-LUT ³ (Lutron® LDE1 EcoSystem 1%)		
	L8 (74W)	359 (3500K / 92 CRI)	-DMXR (DMX512 RDM 0.1%)		
	L10 (87W)	40 (4000K / 82 CRI)			
		409 (4000K / 92 CRI)			

Reflector Part Number: (Example: ISW600HZ-SF)

Reflector Reflector Finish

ISW600	HZ-SF	(Haze, Self-Flanged)
	HZ-SFW	(Haze, Self-Flanged White)
	W-SF	(White, Self-Flanged)
	C-SF	(Clear, Self-Flanged)
	C-SFW	(Clear, Self-Flanged White)
	B-SF ¹¹	(Black, Self-Flanged)

Accessories

1100	(C-Channel Bar Hangers)
1200	(Flat Bar Hangers)
1400	(Wood Joist Bar Hangers)

Notes:

- Available in 120V only and Not available with L10
- elDoLED dimming available with L3-L8
- Lutron® dimming available with L3-L5
- Consult factory for lead times

6" Gravity LED Wall Wash Photometrics

JOB NAME		CATALOG NUMBER	
NOTES		TYPE	

GD6WSM130 / ISW600HZ

Report #: ILL10132016-01.6

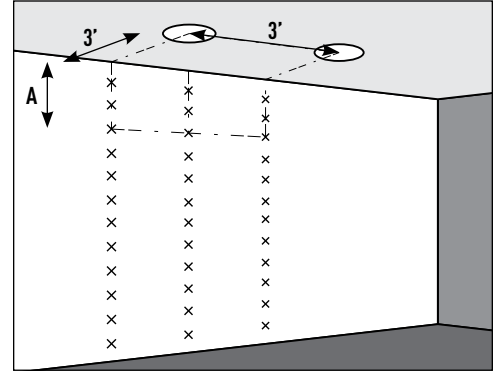
Reflector Finish: Haze
 Luminaire Watts: 12W
 Luminaire Lumens: 878lm
 Lumens Per Watt: 73
 Color Temperature: 3000K
 Color Rendering Index: 82

Emergency Multipliers:

7W Emergency (x 0.51)
 20W Emergency (x 1.65)

(A) Distance From Ceiling	3' From Wall On 3' Centers	4' From Wall On 3' Centers	4' From Wall On 4' Centers
	□ 3' □	□ 3' □	□ 4' □
1'	1 1 1	0 0 0	0 0 0
2'	2 2 2	1 1 1	1 1 1
3'	8 9 8	2 2 2	2 2 2
4'	18 19 18	6 7 6	5 5 5
5'	21 22 21	11 12 11	9 10 9
6'	19 20 19	13 15 13	11 12 11
7'	15 16 15	13 14 13	12 12 12
8'	12 13 12	12 13 12	10 11 10
9'	9 10 9	10 11 10	9 10 9
10'	7 8 7	9 9 9	8 8 8
11'	6 6 6	7 8 7	6 7 6
12'	5 5 5	6 6 6	5 6 5

Example: Two luminaires located 3' from wall and spaced 3' on center, the illumination on the wall 3' down from ceiling will be 8fc beneath units and 9fc between units



GD6WSM230 / ISW600HZ

Report #: ILL10132016-01.5

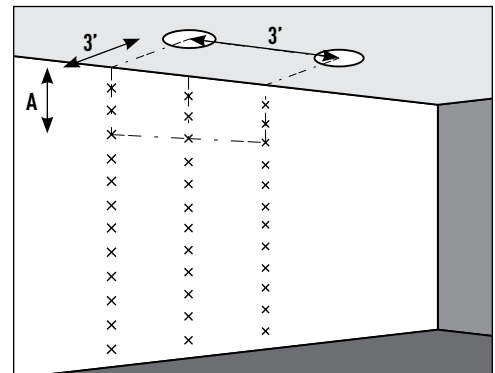
Reflector Finish: Haze
 Luminaire Watts: 24W
 Luminaire Lumens: 1697lm
 Lumens Per Watt: 71
 Color Temperature: 3000K
 Color Rendering Index: 82

Emergency Multipliers:

7W Emergency (x 0.29)
 20W Emergency (x 0.85)

(A) Distance From Ceiling	3' From Wall On 3' Centers	4' From Wall On 3' Centers	4' From Wall On 4' Centers
	□ 3' □	□ 3' □	□ 4' □
1'	2 2 2	1 1 1	0 1 0
2'	5 5 5	2 2 2	1 2 1
3'	16 18 16	4 4 4	4 4 4
4'	36 36 36	11 13 11	9 10 9
5'	40 42 40	21 23 21	18 19 18
6'	36 38 36	26 28 26	22 23 22
7'	30 31 30	26 28 26	22 23 22
8'	23 25 23	23 25 23	20 21 20
9'	18 19 18	20 22 20	18 19 18
10'	14 15 14	17 18 17	15 16 15
11'	11 12 11	14 15 14	12 13 12
12'	9 9 9	11 12 11	10 11 10

Example: Two luminaires located 3' from wall and spaced 3' on center, the illumination on the wall 3' down from ceiling will be 16fc beneath units and 18fc between units



GD6WSL130 / ISW600HZ

Report #: ILL10132016-01.4

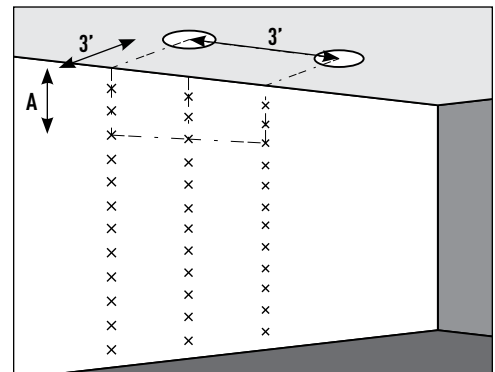
Reflector Finish: Haze
 Luminaire Watts: 35W
 Luminaire Lumens: 2224lm
 Lumens Per Watt: 64
 Color Temperature: 3000K
 Color Rendering Index: 82

Emergency Multipliers:

7W Emergency (x 0.22)
 20W Emergency (x 0.65)

(A) Distance From Ceiling	3' From Wall On 3' Centers	4' From Wall On 3' Centers	4' From Wall On 4' Centers
	□ 3' □	□ 3' □	□ 4' □
1'	2 2 2	1 1 1	1 1 1
2'	6 6 6	2 3 2	2 2 2
3'	21 24 21	5 6 5	5 5 5
4'	47 48 47	14 17 14	12 13 12
5'	52 54 52	27 30 27	24 24 24
6'	47 49 47	34 37 34	29 30 29
7'	39 41 39	34 37 34	29 30 29
8'	31 32 31	30 33 30	27 28 27
9'	24 25 24	26 28 26	23 24 23
10'	19 20 19	22 23 22	19 21 19
11'	15 15 15	18 19 18	16 17 16
12'	11 12 11	15 16 15	13 14 13

Example: Two luminaires located 3' from wall and spaced 3' on center, the illumination on the wall 3' down from ceiling will be 21fc beneath units and 24fc between units



Multipliers: 2700K / 82 CRI (x 0.93); 2700K / 92 CRI (x 0.74); 3000K / 82 CRI (x 1.00); 3000K / 92 CRI (x 0.79); 3500K / 82 CRI (x 1.03); 4100K / 82 CRI (x 1.04)

6" Gravity LED Wall Wash Photometrics

JOB NAME		CATALOG NUMBER	
NOTES		TYPE	

GD6WSL230 / ISW600HZ

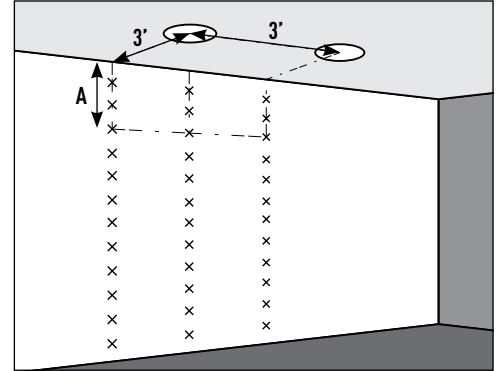
Report #: ILL10132016-01.3
 Reflector Finish: Haze
 Luminaire Watts: 45W
 Luminaire Lumens: 2927lm
 Lumens Per Watt: 65
 Color Temperature: 3000K
 Color Rendering Index: 82

Emergency Multipliers:

7W Emergency (x 0.17)
 20W Emergency (x 0.50)

(A) Distance From Ceiling	3' From Wall On 3' Centers	4' From Wall On 3' Centers	4' From Wall On 4' Centers
	□ 3' □	□ 3' □	□ 4' □
1'	3 3 3	1 1 1	1 1 1
2'	8 8 8	3 3 3	3 3 3
3'	28 31 28	7 8 7	6 6 6
4'	61 63 61	18 22 18	16 17 16
5'	69 72 69	35 39 35	31 32 31
6'	62 64 62	44 48 44	38 40 38
7'	51 54 51	44 48 44	38 40 38
8'	40 43 40	40 43 40	35 37 35
9'	31 33 31	34 37 34	30 32 30
10'	24 26 24	29 31 29	26 27 26
11'	19 20 19	24 25 24	21 23 21
12'	15 16 15	20 21 20	18 19 18

Example: Two luminaires located 3' from wall and spaced 3' on center, the illumination on the wall 3' down from ceiling will be 28fc beneath units and 31fc between units



GD6WSL330 / ISW600HZ

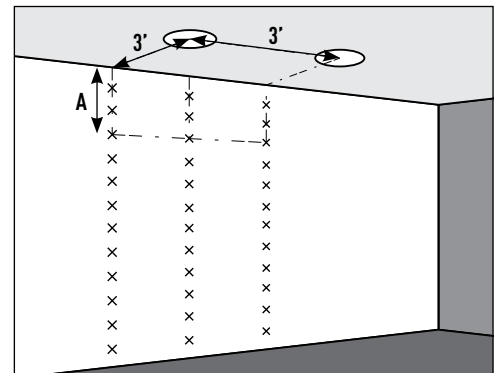
Report #: ILL10132016-01.2
 Reflector Finish: Haze
 Luminaire Watts: 61W
 Luminaire Lumens: 4390lm
 Lumens Per Watt: 72
 Color Temperature: 3000K
 Color Rendering Index: 82

Emergency Multipliers:

7W Emergency (x 0.11)
 20W Emergency (x 0.33)

(A) Distance From Ceiling	3' From Wall On 3' Centers	4' From Wall On 3' Centers	4' From Wall On 4' Centers
	□ 3' □	□ 3' □	□ 4' □
1'	4 4 4	1 2 1	1 1 1
2'	12 12 12	4 5 4	4 4 4
3'	42 46 42	11 11 11	10 9 10
4'	92 94 92	27 33 27	24 26 24
5'	103 107 103	53 59 53	46 48 46
6'	93 97 93	66 72 66	57 59 57
7'	76 81 76	66 72 66	57 60 57
8'	60 64 60	60 65 60	52 55 52
9'	47 50 47	51 56 51	45 48 45
10'	37 39 37	43 46 43	38 40 38
11'	29 30 29	36 38 36	32 34 32
12'	23 24 23	29 31 29	26 28 26

Example: Two luminaires located 3' from wall and spaced 3' on center, the illumination on the wall 3' down from ceiling will be 42fc beneath units and 46fc between units



GD6WSL430 / ISW600HZ

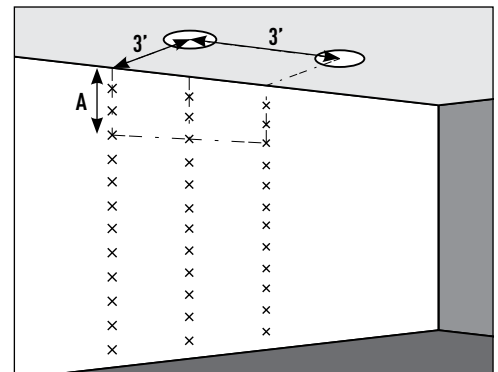
Report #: ILL10132016-01.1
 Reflector Finish: Haze
 Luminaire Watts: 77W
 Luminaire Lumens: 5314lm
 Lumens Per Watt: 69
 Color Temperature: 3000K
 Color Rendering Index: 82

Emergency Multipliers:

7W Emergency (x 0.09)
 20W Emergency (x 0.27)

(A) Distance From Ceiling	3' From Wall On 3' Centers	4' From Wall On 3' Centers	4' From Wall On 4' Centers
	□ 3' □	□ 3' □	□ 4' □
1'	5 5 5	2 2 2	1 2 1
2'	14 14 14	5 6 5	5 5 5
3'	51 56 51	13 14 13	12 11 12
4'	110 113 110	33 39 33	29 31 29
5'	124 129 124	63 71 63	56 58 56
6'	111 117 111	81 87 81	69 71 69
7'	92 97 92	82 86 82	69 72 69
8'	72 77 72	75 78 75	63 66 63
9'	56 60 56	65 67 65	54 57 54
10'	44 47 44	54 56 54	46 49 46
11'	34 36 34	45 46 45	38 41 38
12'	27 29 27	37 37 37	32 34 32

Example: Two luminaires located 3' from wall and spaced 3' on center, the illumination on the wall 3' down from ceiling will be 51fc beneath units and 56fc between units



Multipliers: 2700K / 82 CRI (x 0.93); 2700K / 92 CRI (x 0.74); 3000K / 82 CRI (x 1.00); 3000K / 92 CRI (x 0.79); 3500K / 82 CRI (x 1.03); 4100K / 82 CRI (x 1.04)

GRAVITY™

6" Gravity LED Wall Wash Photometrics

JOB NAME		CATALOG NUMBER	
NOTES		TYPE	

GD6WSL530 / ISW600HZ

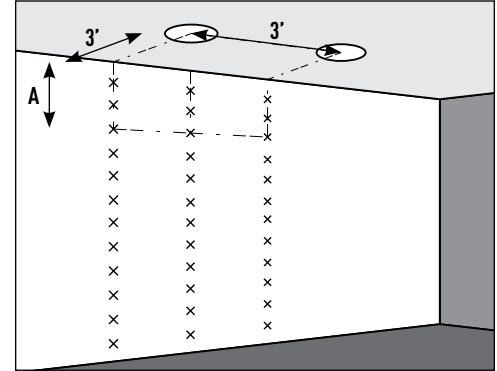
Report #: ILL10132016-01
 Reflector Finish: Haze
 Luminaire Watts: 90W
 Luminaire Lumens: 5853lm
 Lumens Per Watt: 65
 Color Temperature: 3000K
 Color Rendering Index: 82

Emergency Multipliers:

7W Emergency (x 0.09)
 20W Emergency (x 0.25)

(A) Distance From Ceiling	3' From Wall On 3' Centers	4' From Wall On 3' Centers	4' From Wall On 4' Centers
	□ 3' □	□ 3' □	□ 4' □
1'	5 5 5	2 2 2	2 2 2
2'	16 16 16	6 7 6	5 6 5
3'	56 62 56	14 15 14	13 12 13
4'	122 125 122	36 43 36	32 35 32
5'	138 143 138	71 79 71	62 64 62
6'	124 130 124	88 96 88	76 79 76
7'	102 107 102	89 96 89	77 80 77
8'	80 85 80	80 87 80	70 73 70
9'	63 66 63	68 74 68	60 64 60
10'	49 52 49	57 62 57	51 54 51
11'	38 41 38	48 51 48	43 45 43
12'	30 32 30	39 41 39	35 37 35

Example: Two luminaires located 3' from wall and spaced 3' on center, the illumination on the wall 3' down from ceiling will be 56fc beneath units and 62fc between units



Multipliers: 2700K / 82 CRI (x 0.93); 2700K / 92 CRI (x 0.74); 3000K / 82 CRI (x 1.00); 3000K / 92 CRI (x 0.79); 3500K / 82 CRI (x 1.03); 4100K / 82 CRI (x 1.04)