

# GDS2DS

## 2" Gravity LED Square Shallow Downlight

<b>JOB NAME</b>		<b>CATALOG NUMBER</b>	
<b>NOTES</b>		<b>TYPE</b>	

### ELECTRICAL DATA

LED Light Engine	Nominal Delivered Lumens*	System Wattage**
L1	700lm @ 3000K / 82CRI	10 Watts
L2	950lm @ 3000K / 82CRI	15 Watts

\* Delivered Lumens will vary depending on CCT, CRI, optic and reflector finish. | \*\* System Wattage includes driver and LED Module consumption.

### FEATURES

- Field changeable 16° to 60° optics
- Integral field changeable accessory holder
- In-field adjustable collar height accommodates 1/2" to 1-1/4" ceiling thickness

### LED LIGHT ENGINE

- 10W & 15W
- 16° to 60° Optics: 2 SDCM, 82/92CRI in 2700K, 3000K, 3500K & 4000K
- Rated life of >50,000 hours L70 based on LED testing per LM-80-08 and projected values using IESNA TM21-11

### OPTICS

- Field changeable 16° Spot, 24° Narrow Flood, 36° Flood, 48° Wide Flood and 60° Very Wide Flood
- Accepts (2) field changeable filter media

### ELECTRICAL SYSTEM

- 120V/277V input; Power factor >.9, 50/60Hz
- This product complies with IEEE C62.41 for surge endurance up to 2.5KV. Additional surge protection recommended. Damage from power surge is not covered by warranty.

### HOUSING

- Heavy duty black powder coated 18 gauge steel frame
- Accommodates 1/2" to 1-1/4" Ceilings
- Integral driver compartment with below ceiling access

### EMERGENCY BACKUP

- Remote test switch included. External Battery operates LED load @ 725 nominal delivered Lumens. Servicing requires above ceiling access.

### INSTALLATION

- Non-IC rated housings must be kept at a minimum of 3" away from insulation
- Adjustable (10-3/4" to 25") joist/grid ceiling bar hangers included (Hanger bars does not allow for height adjustments)

### REFLECTOR

- Specification grade 1.0mm spun aluminum reflector with architectural, discrete polished self flange
- Reflector available in black, white or haze finishes (Consult factory for other finishes)

### DIMMING

- Phase dimming, Forward 1% & Reversed 5% (120V only)
- 0-10V 1% Dimming 1%
- EldoLED SOLOdrive 0-10V 0.1%
- EldoLED ECOdrive 0-10V 1%
- Lutron® LDE1 Hi-Lume 1% EcoSystem LED driver with Soft-on, Fade-to-Black dimming technology

### REMOTE BOX

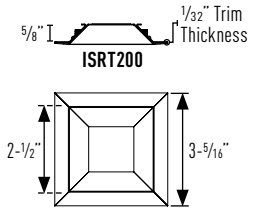
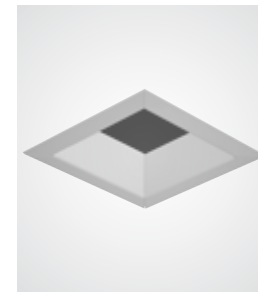
- Remote box included when required by specification (eldoLED or Lutron dimming option).
- Above ceiling access required for servicing
- Galvanized steel construction with separate line voltage and low voltage wiring compartments
- 50ft remote distance maximum

### LISTING / WARRANTY

- 5-Year Intense LED Limited Warranty
- ETL Listed to US and Canadian standards for damp locations
- (IC / AIC Only) ETL listed for direct contact w/insulation
- (AIC Only) Air-Tight Certified ASTM E283.
- (AIC Only) Can be used to comply with Title 24, Part 6, JAB high efficacy LED light source requirements

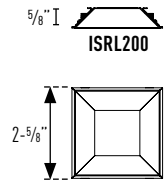
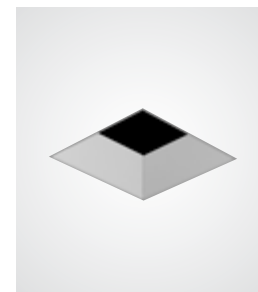


### Trimmed Reflectors

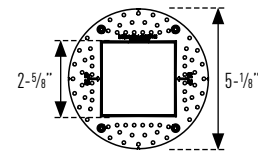


Ceiling Cutout: 2-7/8"

### Trimless Reflectors



Ceiling Cutout: 2-7/8"



### Trimless Mud Flanged:

Perforated collar for seamless and trimless mounting. Must be ordered separately and can only be used in conjunction with trimless trims.

### Available Trim Finishes



### Housing Part Number: (Example: GDS2DSNCL1279DIMUNVSP)

Housing	Installation Type	Wattage	CCT / CRI	Dimming	Voltage	Optic	Options		
GDS2DS	NIC (New Cons IC-Rated)	L1 (10W)	27 (2700K / 82CRI)	DIM <sup>1</sup> (Phase Dimming)	UNV (Universal, 120V/277V)	SP (16° SP)	EM7 <sup>2</sup> (7W Emergency Backup IOTA part #ILB-CP07-A)		
		L2 (15W)	279 (2700K / 92CRI)					D101 (0-10V Dimming 1%)	
	NAIC (New Cons Air-Tight IC)	30 (3000K / 82CRI)	ED10V1 <sup>2</sup> (eldoLED 0-10V 1%)	ED10V01 <sup>2</sup> (eldoLED 0-10V 0.1%)				LUT <sup>2,3</sup> (Lutron® LDE1 EcoSystem 1%)	FL (36° FL)
		309 (3000K / 92CRI)							WF (48° WFL)
		35 (3500K / 82CRI)							VF (60° VFL)
		359 (3500K / 92CRI)							
		40 (4000K / 82CRI)							
		409 (4000K / 92CRI)							

### Reflector Part Number: (Example: ISRT200W-SF)

Reflector	Reflector Finish	Trim
ISRT200 (5/8 Regress Trim)	W (White)	-SF (Self Flanged)
ISRL200 <sup>3</sup> (5/8 Regress Trimless)	B <sup>4</sup> (Black)	blank <sup>3</sup> (Trimless)
	HZ (Haze)	

### Optional Accessory

GD2S-MR<sup>3</sup> Square Trimless Mud Ring

### Filter Media

- PFL2-45 Hex Louver
- PFL4-45 Soft Focus Film
- PFL-LS-45 Linear Spread

### Notes:

- Available in 120V only
- Remote driver box required for eldoLED, Lutron and EM backup
- Trimless options are for use with mud ring accessory only
- Consult factory for lead times

GRAVITY LHM-0901:23 P-7

### Intense Lighting

3340 E La Palma Ave, Anaheim, CA 92806 | tel 714 630-9877 | fax 714 630-9883

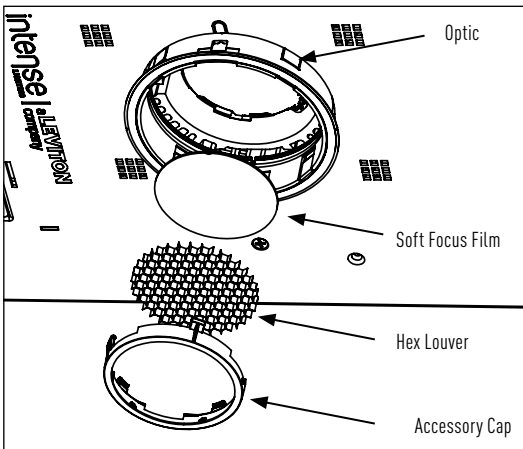
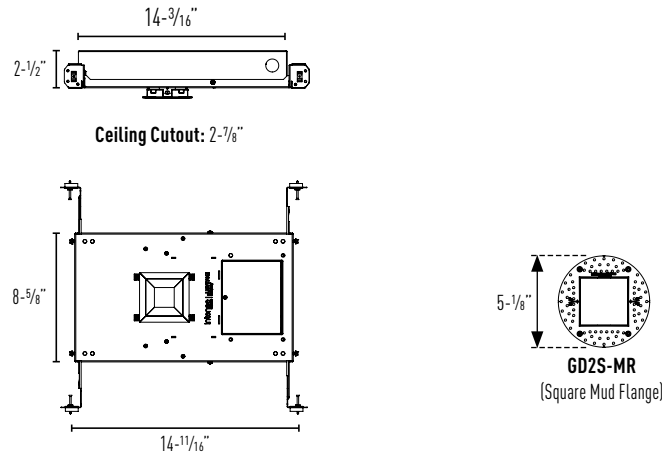
©2023 Intense Lighting, LLC. All rights reserved. Subject to change without notice.

# GDS2DS

2" Gravity LED Square Shallow Downlight

<b>JOB NAME</b>		<b>CATALOG NUMBER</b>	
<b>NOTES</b>		<b>TYPE</b>	

Shallow New Construction IC & AIC Rated Dimension:



## Optics

Field changeable 16° to 60° Optics

- IP-OP45SP** (16° Spot)
- IP-OP45NF** (24° Narrow Flood)
- IP-OP45FL** (36° Flood)
- IP-OP45WF** (48° Wide Flood)
- IP-OP45VF** (60° Very Wide Flood)

## Accessories

- PFL2-45** Hex Louver
- PFL4-45** Soft Focus Film
- PFL-LS-45** Linear Spread

## Remote Mounted Driver

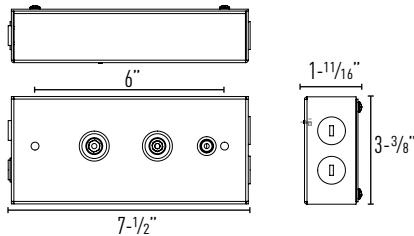
(For use with IC/AIC housings with eldoLED or Lutron dimming option)

- Remote box included when required by specification (eldoLED or Lutron dimming option).
- Above ceiling access required for servicing
- Galvanized steel construction with separate line voltage and low voltage wiring compartments
- 50ft remote distance maximum

### Remote Driver Box For Dimming Options

- eldoLED 0-10V 1%
- eldoLED 0-10V 0.1%
- Lutron® LDE1 EcoSystem 1%
- Lutron® LTEA2W 2-Wire 1%

**Note:** Wires for class 2 LED driver require a minimum of 18 awg wire at a maximum of 50 feet length per local and national electrical regulations.



# GDS2DS

## 2" Gravity LED Square Shallow Downlight

JOB NAME		CATALOG NUMBER	
NOTES		TYPE	

### ISRT200WL2

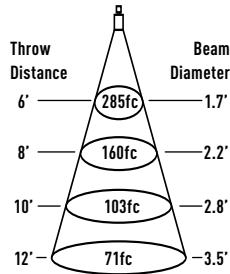
Report #: ILL-20190114-1 (16)  
 ILL-20190114-1 (24)  
 ILL-20190114-1 (36)  
 ILL-20190114-1 (48)  
 ILL-20190114-1 (60)

ISRT200 (% REGRESS)  
 Trim Multiplier (x 0.99)

#### CCT MULTIPLIERS:

	82CRI	92CRI
2700K	(x 0.93)	(x 0.76)
3000K	(x 1.00)	(x 0.87)
3500K	(x 1.00)	(x 0.87)
4000K	(x 1.00)	(x 0.87)

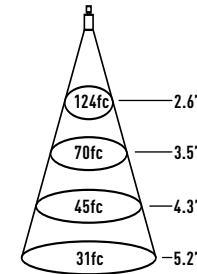
#### 16° Spot



Foot-candles at Nadir  
 Watts: 15      LPW: 63  
 Lumens: 950      CCT: 3000K

Intensity	
Degree	CBCP
0°	10246
5°	8942
15°	1061
25°	109
35°	24
45°	9

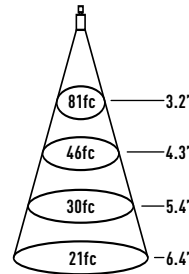
#### 24° Narrow Flood



Foot-candles at Nadir  
 Watts: 15      LPW: 63  
 Lumens: 950      CCT: 3000K

Intensity	
Degree	CBCP
0°	4460
5°	3896
15°	1582
25°	350
35°	67
45°	14

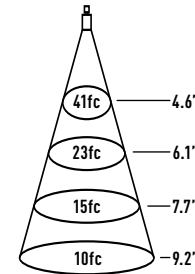
#### 36° Flood



Foot-candles at Nadir  
 Watts: 15      LPW: 63  
 Lumens: 950      CCT: 3000K

Intensity	
Degree	CBCP
0°	2945
5°	2734
15°	1470
25°	453
35°	117
45°	23

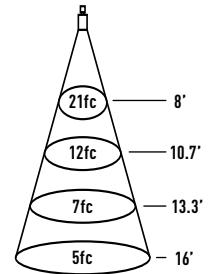
#### 48° Wide Flood



Foot-candles at Nadir  
 Watts: 15      LPW: 63  
 Lumens: 950      CCT: 3000K

Intensity	
Degree	CBCP
0°	1469
5°	1408
15°	1038
25°	537
35°	224
45°	65

#### 60° Very Wide Flood



Foot-candles at Nadir  
 Watts: 15      LPW: 63  
 Lumens: 950      CCT: 3000K

Intensity	
Degree	CBCP
0°	740
5°	729
15°	671
25°	525
35°	342
45°	134z