

GDS4DS / ISDS400

4" Gravity LED Square Shallow Downlight

| | | | |
|----------|--|----------------|--|
| JOB NAME | | CATALOG NUMBER | |
| NOTES | | TYPE | |

ELECTRICAL DATA: (Data Based On 3000K/82CRI Configuration)

| LED Light Engine | Nominal Delivered Lumens * | System Wattage ** | Efficacy | LED Light Engine | Nominal Delivered Lumens * | System Wattage ** | Efficacy |
|------------------|----------------------------|-------------------|----------|------------------|----------------------------|-------------------|----------|
| L1 | 1000lm | 12W | 83 lm/W | L5 | 2800lm | 31W | 90 lm/W |
| L2 | 1300lm | 15W | 87 lm/W | L6 | 3300lm | 37W | 89 lm/W |
| L3 | 1900lm | 20W | 95 lm/W | L7 | 3800lm | 44W | 86 lm/W |
| L4 | 2300lm | 25W | 92 lm/W | L8 | 4300lm | 48W | 90 lm/W |

* Delivered lumen output will vary depending on CCT, CRI, optic and reflector finish. | ** System Wattage include driver and LED Module consumption.

FEATURES

- Housing is 3.9" tall with minimal 5/8" collar that expands up to 1 1/4" for thicker ceilings via hanger bar placement

LED LIGHT ENGINE

- 10W, 14W, 19W, 24W, 29W, 34W, 41W & 46W
- 82/92 CRI at 2700K, 3000K, 3500K & 4000K with 2 Step MacAdam (2 SDCM)
- Rated life of >50,000 hours L70 based on LED testing per LM-80-08 and projected values using IESNA TM21-11

DIMMING

- Phase Dimming 120V only, Forward 1% / Reverse 5%
- 0-10V Dimming 1%
- EldoLED 0-10V 0.1% or 1%
- Lutron® LDE1 Hi-Lume 1% EcoSystem LED driver with Soft-on, Fade-to-Black dimming technology
- DMX512 RDM 0.1%

OPTICS

- 14° Narrow Spot, 20° Spot, 30° Narrow Flood, 40° Flood and 50° Wide Flood
- Optics and filter media are field customizable

ELECTRICAL SYSTEM

- Dedicated voltage options of 120V or

277V. Must be specified in catalog code.

- Power factor >.9, 50/60Hz
- This product complies with IEEE C62.41 for surge endurance up to 2.5KV. Additional surge protection recommended. Damage from power surge is not covered by warranty.

FRAME CONSTRUCTION

Constructed from 16 and 18 gauge heavy duty powder coated cold rolled steel frame with a large access junction box. ETL listed for through wiring. LED light engine and driver are accessible from above or below ceiling.

REFLECTOR

Specification grade reflector with 1.5mm thickness. Reflector available in haze, white, clear or black finish. Consult factory for other colors. Architectural, discrete polished self flange standard. Optional painted white flange is available. Meets RP-1 requirements with controlled light distribution at a 55° cut off.

INSTALLATION

The luminaire is type Non-IC. Insulation must be kept at a minimum of 3" away from fixture. Accommodates ceiling

thickness from 5/8" to 1 1/4". Universal mounting brackets included. Compatible with C-channel, flat bar, wood joist bar hanger and EMT. Bar hangers must be ordered separately. C-channel is recommended for T-bar ceilings. Max. ambient temperature: 95°F (35°C).

EMERGENCY BACKUP

Remote test switch included. External battery operates LED load of up to 7W at a minimum of 550 lumens for 90 minutes (EM7), or 20W at a minimum of 1650 lumens for 90 minutes (EM20).

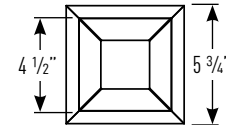
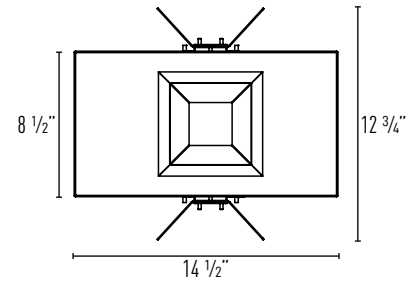
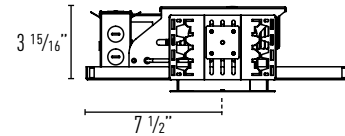
ACCESSORIES

Luminaire will accommodate (2) accessories, accessory holder required.

LISTING / WARRANTY

- ETL Listed to US and Canadian standards for damp locations
- 5-Year Intense LED Limited Warranty
- ENERGY STAR® Qualified¹

Gravity™



Ceiling Cut Out: 5 1/4" x 5 1/4"
Maximum Ceiling Thickness: 1 1/4"
Minimum Ceiling Thickness: 5/8"

Housing Part Number (Example: GDS4DSL230-D101-NS)

| Housing | Wattage | CCT / CRI | Dimming | Voltage | Optic | Options |
|---------|----------|----------------------|---|--------------|------------------------------------|---|
| GDS4DS | L1 (12W) | 27 (2700K / 82 CRI) | -DIM ¹ (Phase Dimming) | blank (120V) | -NS ³ (14° Narrow Spot) | EM7 (7W Emergency Backup |
| | L2 (15W) | 279 (2700K / 92 CRI) | -D101 (0-10V Dimming 1%) | 27 (277V) | -SP (20° Spot) | IOTA part #ILB-CP07-A) |
| | L3 (20W) | 30 (3000K / 82 CRI) | -ED10V1 (eldoLED 0-10V 1%) | | -NF (30° Narrow Flood) | EM20 ⁵ (20W Emergency Backup w/ Remote |
| | L4 (25W) | 309 (3000K / 92 CRI) | -ED10V01 (eldoLED 0-10V 0.1%) | | -FL (40° Flood) | Test Switch IOTA ILB-CP20-HE-S) |
| | L5 (31W) | 35 (3500K / 82 CRI) | -LUT ² (Lutron® LDE1 EcoSystem 1%) | | -WF (50° Wide Flood) | |
| | L6 (37W) | 359 (3500K / 92 CRI) | -DMXR ² (DMX512 RDM 0.1%) | | | |
| | L7 (44W) | 40 (4000K / 82 CRI) | | | | |
| | L8 (48W) | 409 (4000K / 92 CRI) | | | | |

Reflector Part Number (Example: ISDS400HZ-SF)

| Reflector | Reflector Finish |
|-----------|---|
| ISDS400 | HZ-SF (Haze, Self-Flanged) |
| | HZ-SFW (Haze, Self-Flanged White) |
| | W-SF (White, Self-Flanged) |
| | C-SF (Clear, Self-Flanged) |
| | C-SFW (Clear, Self-Flanged White) |
| | B-SF ⁴ (Black, Self-Flanged) |

Accessories

| | |
|----------|--------------------------|
| LH63 | (Black Accessory Holder) |
| LH63W | (White Accessory Holder) |
| PFL4-63 | (Solite Soft Focus Lens) |
| PFLMB-63 | (Black Hex Louver) |
| I100 | (C-Channel Bar Hangers) |
| I200 | (Flat Bar Hangers) |
| I400 | (Wood Joist Bar Hangers) |

Notes:

- Available in 120V only
- DMX512 RDM not available with L1 & L2
- 14° Optic not available in L8 & L9
- Consult factory for lead times
- EM20 only available for L4 to L9

DOWNLIGHTING-GRAVITY LM-0410-24 P-7

INTENSE LIGHTING | 3340 E La Palma Ave, Anaheim, CA 92806 | tel 714 630-9877 | fax 714 630-9883

For Intense Lighting's limited product warranty, go to www.intenselighting.com. For a printed copy of the warranty, you may call 800 961-5321.

© 2024 Intense Lighting, LLC. All rights reserved. Note: This document is subject to change without notice.

intense[®] | a LEVITON[®] company

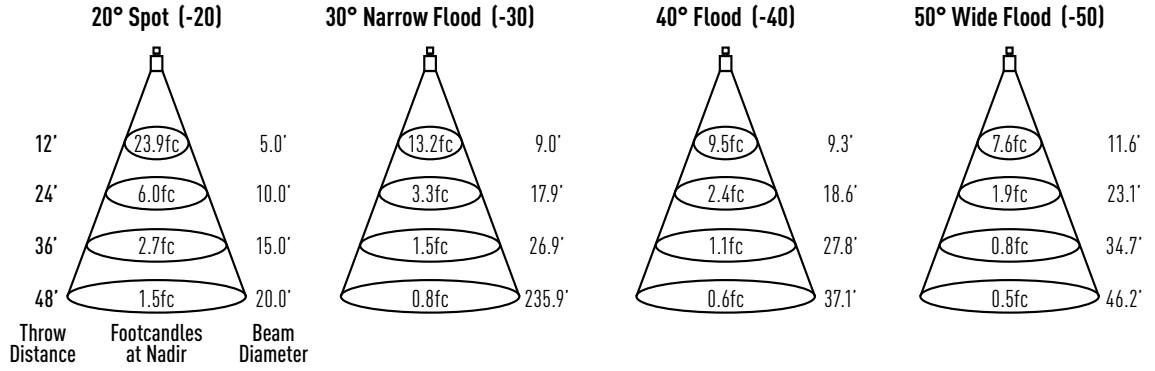
| | | | |
|----------|--|----------------|--|
| JOB NAME | | CATALOG NUMBER | |
| NOTES | | TYPE | |

GDS4DSL130 / IRDS400HZ

Report #: ILL-20191202-2.001 (-20)
 ILL-20191202-4.001 (-30)
 ILL-20191202-6.001 (-40)
 ILL-20191202-8.001 (-50)

CCT MULTIPLIERS:

| | | |
|-------|---------------|---------------|
| | 82 CRI | 92 CRI |
| 2700K | (x 0.95) | (x 0.79) |
| 3000K | (x 1.00) | (x 0.82) |
| 3500K | (x 1.02) | (x 0.85) |
| 4000K | (x 1.03) | (x 0.88) |



Watts: 10
 Lumens: 1043
 LPW: 104.3
 CCT: 3000K

Watts: 10
 Lumens: 1095
 LPW: 109.5
 CCT: 3000K

Watts: 10
 Lumens: 979
 LPW: 97.9
 CCT: 3000K

Watts: 10
 Lumens: 1032
 LPW: 103.2
 CCT: 3000K

| Luminance | |
|-----------|------|
| Degree | CBCP |
| 0° | 3444 |
| 5° | 3118 |
| 15° | 1219 |
| 25° | 481 |
| 35° | 157 |
| 45° | 42 |

| Luminance | |
|-----------|------|
| Degree | CBCP |
| 0° | 1903 |
| 5° | 1841 |
| 15° | 1347 |
| 25° | 660 |
| 35° | 210 |
| 45° | 50 |

| Luminance | |
|-----------|------|
| Degree | CBCP |
| 0° | 1372 |
| 5° | 1318 |
| 15° | 966 |
| 25° | 523 |
| 35° | 233 |
| 45° | 110 |

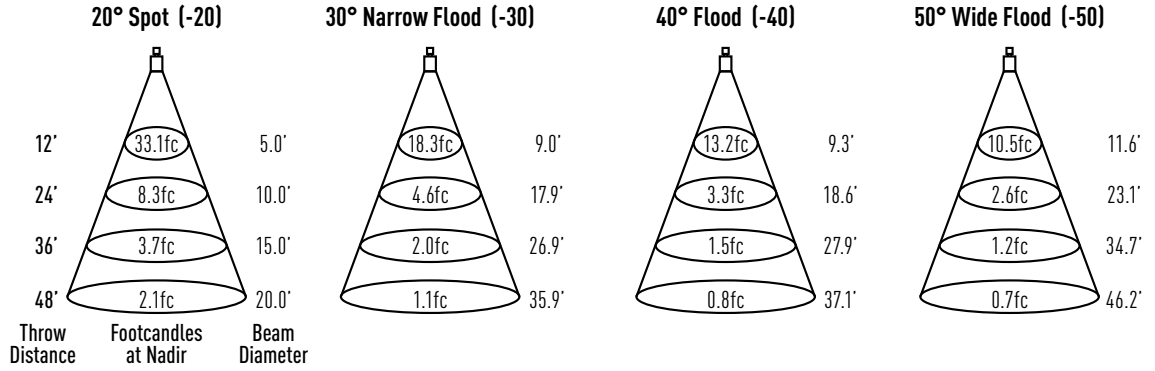
| Luminance | |
|-----------|------|
| Degree | CBCP |
| 0° | 1087 |
| 5° | 1070 |
| 15° | 906 |
| 25° | 575 |
| 35° | 281 |
| 45° | 132 |

GDS4DSL230 / IRDS400HZ

Report #: ILL-20191202-2.002 (-20)
 ILL-20191202-4.002 (-30)
 ILL-20191202-6.002 (-40)
 ILL-20191202-8.002 (-50)

CCT MULTIPLIERS:

| | | |
|-------|---------------|---------------|
| | 82 CRI | 92 CRI |
| 2700K | (x 0.95) | (x 0.79) |
| 3000K | (x 1.00) | (x 0.82) |
| 3500K | (x 1.02) | (x 0.85) |
| 4000K | (x 1.03) | (x 0.88) |



Watts: 14
 Lumens: 1444
 LPW: 103.1
 CCT: 3000K

Watts: 14
 Lumens: 1515
 LPW: 108.21
 CCT: 3000K

Watts: 14
 Lumens: 1356
 LPW: 96.9
 CCT: 3000K

Watts: 14
 Lumens: 1429
 LPW: 102.07
 CCT: 3000K

| Luminance | |
|-----------|------|
| Degree | CBCP |
| 0° | 4768 |
| 5° | 4317 |
| 15° | 1688 |
| 25° | 666 |
| 35° | 217 |
| 45° | 58 |

| Luminance | |
|-----------|------|
| Degree | CBCP |
| 0° | 2635 |
| 5° | 2549 |
| 15° | 1865 |
| 25° | 914 |
| 35° | 291 |
| 45° | 70 |

| Luminance | |
|-----------|------|
| Degree | CBCP |
| 0° | 1900 |
| 5° | 1825 |
| 15° | 1337 |
| 25° | 724 |
| 35° | 323 |
| 45° | 152 |

| Luminance | |
|-----------|------|
| Degree | CBCP |
| 0° | 1505 |
| 5° | 1482 |
| 15° | 1255 |
| 25° | 796 |
| 35° | 390 |
| 45° | 183 |

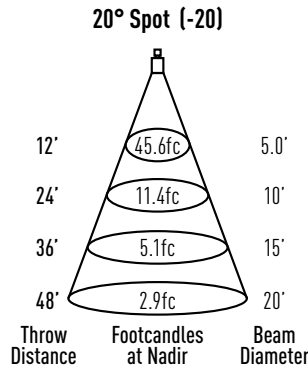
| | | | |
|----------|--|----------------|--|
| JOB NAME | | CATALOG NUMBER | |
| NOTES | | TYPE | |

GDS4DSL330 / IRDS400HZ

Report #: ILL-20191202-2.003 (-20)
 ILL-20191202-4.003 (-30)
 ILL-20191202-6.003 (-40)
 ILL-20191202-8.003 (-50)

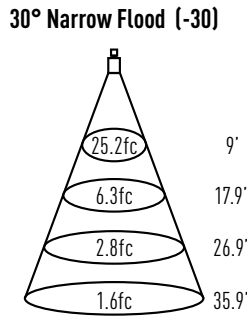
CCT MULTIPLIERS:

| | | |
|-------|---------------|---------------|
| | 82 CRI | 92 CRI |
| 2700K | (x 0.95) | (x 0.79) |
| 3000K | (x 1.00) | (x 0.82) |
| 3500K | (x 1.02) | (x 0.85) |
| 4000K | (x 1.03) | (x 0.88) |



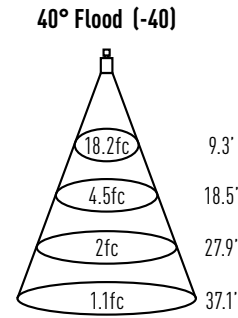
Watts: 19
 Lumens: 1989
 LPW: 104.7
 CCT: 3000K

| Luminance | |
|-----------|------|
| Degree | CBCP |
| 0° | 6570 |
| 5° | 5948 |
| 15° | 2325 |
| 25° | 917 |
| 35° | 299 |
| 45° | 80 |



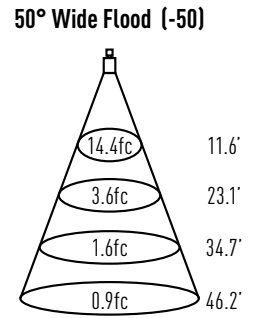
Watts: 19
 Lumens: 2080
 LPW: 109.5
 CCT: 3000K

| Luminance | |
|-----------|------|
| Degree | CBCP |
| 0° | 3631 |
| 5° | 3512 |
| 15° | 2570 |
| 25° | 1259 |
| 35° | 401 |
| 45° | 96 |



Watts: 19
 Lumens: 1868
 LPW: 98.3
 CCT: 3000K

| Luminance | |
|-----------|------|
| Degree | CBCP |
| 0° | 2653 |
| 5° | 2535 |
| 15° | 1840 |
| 25° | 1078 |
| 35° | 374 |
| 45° | 105 |



Watts: 19
 Lumens: 1969
 LPW: 103.6
 CCT: 3000K

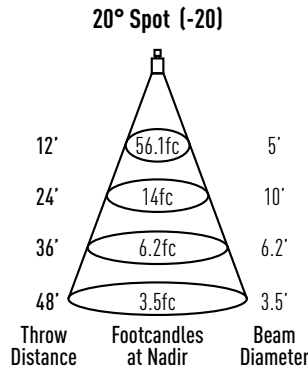
| Luminance | |
|-----------|------|
| Degree | CBCP |
| 0° | 2074 |
| 5° | 2041 |
| 15° | 1729 |
| 25° | 1097 |
| 35° | 537 |
| 45° | 253 |

GDS4DSL430 / IRDS400HZ

Report #: ILL-20191202-2.004 (-20)
 ILL-20191202-4.004 (-30)
 ILL-20191202-6.004 (-40)
 ILL-20191202-8.004 (-50)

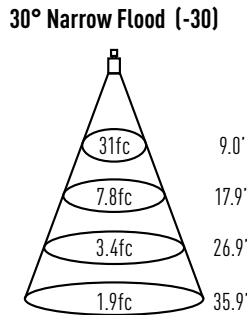
CCT MULTIPLIERS:

| | | |
|-------|---------------|---------------|
| | 82 CRI | 92 CRI |
| 2700K | (x 0.95) | (x 0.79) |
| 3000K | (x 1.00) | (x 0.82) |
| 3500K | (x 1.02) | (x 0.85) |
| 4000K | (x 1.03) | (x 0.88) |



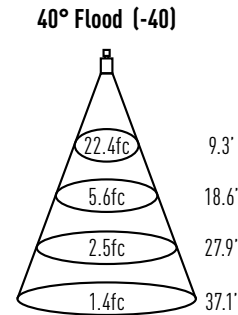
Watts: 24
 Lumens: 2446
 LPW: 101.9
 CCT: 3000K

| Luminance | |
|-----------|------|
| Degree | CBCP |
| 0° | 8080 |
| 5° | 7315 |
| 15° | 2860 |
| 25° | 1128 |
| 35° | 368 |
| 45° | 98 |



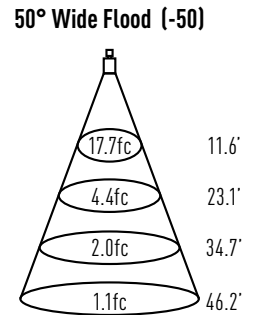
Watts: 24
 Lumens: 2568
 LPW: 107
 CCT: 3000K

| Luminance | |
|-----------|------|
| Degree | CBCP |
| 0° | 4466 |
| 5° | 4319 |
| 15° | 3160 |
| 25° | 1548 |
| 35° | 493 |
| 45° | 118 |



Watts: 24
 Lumens: 2297
 LPW: 95.7
 CCT: 3000K

| Luminance | |
|-----------|------|
| Degree | CBCP |
| 0° | 3219 |
| 5° | 3093 |
| 15° | 2266 |
| 25° | 1226 |
| 35° | 547 |
| 45° | 258 |



Watts: 24
 Lumens: 2421
 LPW: 100.9
 CCT: 3000K

| Luminance | |
|-----------|------|
| Degree | CBCP |
| 0° | 2551 |
| 5° | 2511 |
| 15° | 2126 |
| 25° | 1349 |
| 35° | 660 |
| 45° | 311 |