

GTMC

Gravity Canopy Luminaire

JOB NAME		CATALOG NUMBER	
NOTES		TYPE	

ELECTRICAL DATA

LED Light Engine	System Wattage *	CCT / CRI	Nominal Delivered Lumens **
L1	14W	3000K / 82 CRI	1500lm
L2	20W	3000K / 82 CRI	2000lm
L3	25W	3000K / 82 CRI	2500lm
L4	35W	3000K / 82 CRI	3000lm
L5	39W	3000K / 82 CRI	3500lm
L6	45W	3000K / 82 CRI	4000lm

* System Wattage includes driver and LED Module consumption

** Delivered lumens will vary depending on CCT, CRI and beam spread. See IES files for exact values

FEATURES

- Sleek, aesthetic design with no exposed hardware or heatsink
- Cap features integrated accessory holder for easy, toolless installation
- Proprietary TIR performance optics with spot @ 40,000 CBCP
- High performance output with up to 4000 delivered lumens
- Robust, heavy-duty die-cast track adapter

LED LIGHT ENGINE

- Color consistency of 2SDCM
- 92 CRI & 82 CRI in 2700K, 3000K, 3500K and 4000K with 2 SDCM binning
- 50,000 hours L70 (rated life at 70% initial output)

OPTICS

- 14° Spot, 24° Narrow Flood, 36° Flood, 50° Wide Flood
- Field Changeable Optics

ELECTRICAL SYSTEM

- 120V/277V 50/60Hz input
- Class 2 power supply
- Over voltage, over current and short circuit protection
- This product complies with IEEE C62.41 for surge endurance up to 2.5KV. Additional surge protection recommended
- Damage from power surge is not covered by warranty
- Max. ambient temperature: 95°F (35°C)

DIMMING

- Forward/Reverse phase dimming
- Phase dimming in 120V only
- 0-10V dimming available in 120V-277V

SNOOT / BARN DOORS

Snoot and barn doors are integral to fixture, factory installed and must be specified.

ACCESSORIES

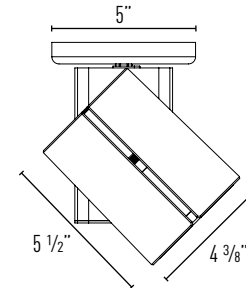
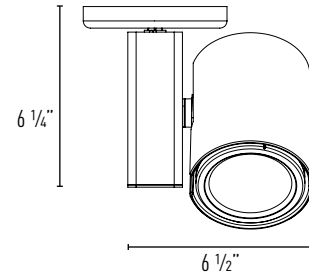
- Luminaire will accommodate (2) lens media and or filters
- No accessory holder required

LISTING/WARRANTY

- ETL Listed to US and Canadian standards for dry locations
- 5-Year Intense LED Limited Warranty



Gravity™



Horizontal Adjustability: 360°

Vertical Adjustability: 258°

Luminaire (Example: GTMCL430W-W)

Series	Wattage	CCT / CRI	Driver	Finish	Beam Spread	Options
GTMC	L1 (14 Watts)	27 (2700K / 82 CRI)	blank (Non-Dimming 120-277V)	B (Black)	-SP (14° Spot)	S (Integral 5/8" Snoot)
	L2 (20 Watts)	279 (2700K / 92 CRI)	-DELV (Phase Dimming 120V)	W (White)	-NF (24° Narrow Flood)	SC (Integral 5/8" Snoot with Cross-Blade)
	L3 (25 Watts)	30 (3000K / 82 CRI)	-D101 (0-10V Dimming 1% 120-277V)	SV (Silver)	-FL (36° Flood)	BD (Barn Doors)
	L4 (35 Watts)	309 (3000K / 92 CRI)				
	L5 (39 Watts)	35 (3500K / 82 CRI)				
	L6 (45 Watts)	359 (3500K / 92 CRI)				
		40 (4000K / 82 CRI)				
		409 (4000K / 92 CRI)				

GTMC

Gravity High Output Vertical Round Accent

JOB NAME		CATALOG NUMBER	
NOTES		TYPE	

ACCESSORIES

Luminaire will accommodate (2) accessories, no accessory holder required.

INSTALLATION

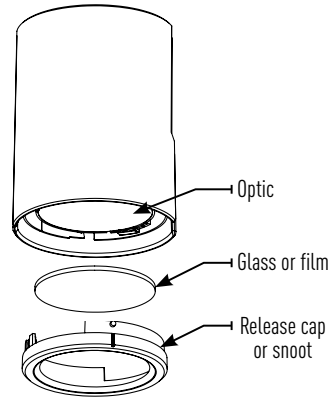
1. Rotate release cap by turning counter clockwise
2. Install accessories into release cap
3. Replace release cap and secure by turning clockwise

Accessories

- PFL60-10E83 (60x10 Spread)
- PFL90-30E83 (90x30 Spread)

Optics

- IP-OP83SP (14° Spot)
- IP-OP83NF (24° Narrow Flood)
- IP-OP83FL (36° Flood)
- IP-OP83WF (50° Wide Flood)



JOB NAME		CATALOG NUMBER	
NOTES		TYPE	

GTML630

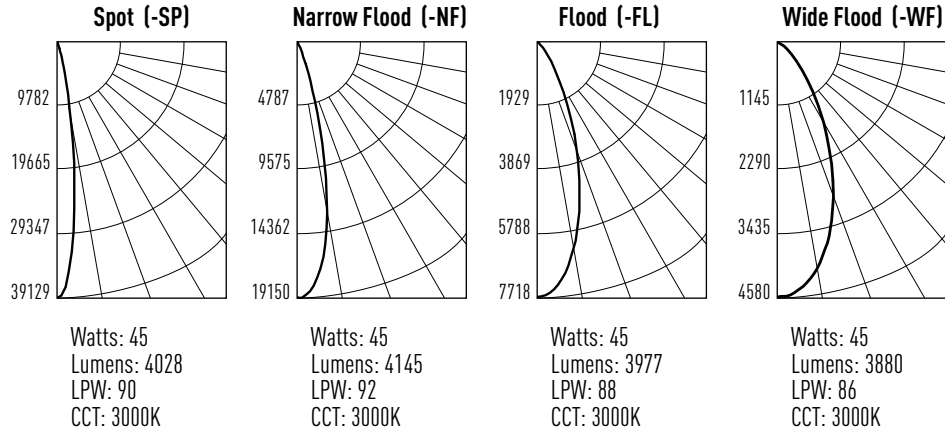
Report #: ILL-20170119-01.006 (-SP)
 ILL-20170119-02.006 (-NF)
 ILL-20170120-01.006 (-FL)
 ILL-20170120-03.006 (-WF)

LED Package Multipliers:

- L1 (x 0.37)
- L2 (x 0.50)
- L3 (x 0.61)
- L4 (x 0.76)
- L5 (x 0.83)
- L6 (x 1.00)

CCT / CRI Multipliers:

- 2700K / 82 CRI (x 0.93)
- 2700K / 92 CRI (x 0.76)
- 3000K / 82 CRI (x 1.00)
- 3000K / 92 CRI (x 0.87)
- 3500K / 82 CRI (x 1.00)
- 3500K / 92 CRI (x 0.87)
- 4000K / 82 CRI (x 1.00)
- 4000K / 92 CRI (x 0.87)



Candelas at Nadir

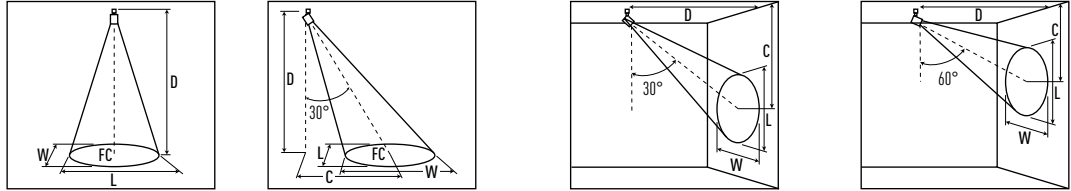
Beam Type	Degree	Candela
Spot (-SP)	0°	39129
	5°	28995
	15°	4024
	25°	672
	35°	166
	45°	58
Narrow Flood (-NF)	0°	19088
	5°	17658
	15°	6594
	25°	1038
	35°	245
	45°	69
Flood (-FL)	0°	7718
	5°	7381
	15°	4989
	25°	2306
	35°	824
	45°	275
Wide Flood (-WF)	0°	4580
	5°	4461
	15°	3604
	25°	2278
	35°	1183
	45°	534

APPLICATION DATA:

Illuminated width & length are based upon point at which illuminance falls to 50% of center illuminance. Recommended spacing is based upon uniform illuminance aiming angle is the angle between the lamp axis and the perpendicular to the illuminated plane.

W and **L** are the outer points where the candle power drops to 50% of maximum. **FC** are the initial foot candles at the center of the beam.

- W** Beam width
- L** Beam length
- C** Distance to center of beam
- D** Distance
- FC** Foot candles



	0° HORIZONTAL					30° HORIZONTAL					30° VERTICAL					60° VERTICAL				
	D	FC	W	L		D	C	FC	W	L	D	C	FC	W	L	D	C	FC	W	L
GTML630-14 3000K Spot	12'	272	3' 4"	3' 4"		12'	3'	427	2' 1"	1' 6"	3.0'	5'	564	1' 4"	3'	3.0'	2'	900	1'	1' 1"
	14'	200	3' 10"	3' 10"		14'	4'	240	2' 7"	2' 3"	4.0'	6'	338	1' 11"	3' 8"	4.0'	2'	480	1' 1"	1' 9"
	16'	153	4' 5"	4' 5"		16'	5'	154	3' 5"	2' 11"	5.0'	8'	214	2' 6"	4' 8"	5.0'	3'	338	1' 4"	1' 7"
	18'	121	4' 11"	4' 11"		18'	6'	107	4'	3' 6"	6.0'	9'	150	3'	5' 7"	6.0'	4'	225	1' 7"	2' 3"
GTML630-24 3000K Narrow Flood	10'	191	4' 6"	4' 6"		10'	3'	188	3'	2' 9"	3.0'	4'	253	2' 5"	3' 11"	3.0'	2'	401	1' 4"	1' 6"
	12'	133	5' 5"	5' 5"		12'	4'	106	4'	3' 6"	4.0'	6'	150	2' 11"	5' 1"	4.0'	2'	212	1' 8"	2' 3"
	14'	97.4	6' 4"	6' 4"		14'	5'	67.8	4' 11"	4' 5"	5.0'	7'	94.8	3' 8"	6' 4"	5.0'	3'	150	2' 5"	2' 8"
	16'	74.6	7' 2"	7' 2"		16'	6'	47.1	6'	5' 3"	6.0'	9'	66.8	4' 5"	7' 6"	6.0'	4'	100	2' 11"	3' 3"
GTML630-36 3000K Flood	8'	121	5' 6"	5' 6"		8'	2'	77.5	4' 5"	4' 1"	3.0'	4'	116	3' 2"	4' 7"	3.0'	2'	157	2' 5"	2' 8"
	10'	77.2	6' 10"	6' 10"		10'	3'	44.6	5' 9"	5' 5"	4.0'	5'	67.3	4' 2"	5' 11"	4.0'	3'	86.7	3' 1"	3' 4"
	12'	53.6	8' 2"	8' 2"		12'	4'	28.5	7' 2"	6' 9"	5.0'	6'	43.5	5' 3"	7' 4"	5.0'	3'	56.1	3' 8"	4' 2"
	14'	39.4	9' 7"	9' 7"		14'	5'	19.6	8' 8"	8' 1"	6.0'	7'	30.2	6' 3"	8' 10"	6.0'	4'	39.3	4' 7"	5'
GTML630-50 3000K Wide Flood	6'	127	5' 7"	5' 7"		6'	2'	77.5	4' 5"	4' 1"	3.0'	4'	116	3' 2"	4' 7"	3.0'	2'	157	2' 5"	2' 8"
	8'	71.6	7' 5"	7' 5"		8'	3'	44.6	5' 9"	5' 5"	4.0'	5'	67.3	4' 2"	5' 11"	4.0'	3'	86.7	3' 1"	3' 4"
	10'	45.8	9' 4"	9' 4"		10'	4'	28.5	7' 2"	6' 9"	5.0'	6'	43.5	5' 3"	7' 4"	5.0'	3'	56.1	3' 8"	4' 2"
	12'	31.8	11' 1"	11' 1"		12'	5'	19.6	8' 8"	8' 1"	6.0'	7'	30.2	6' 3"	8' 10"	6.0'	4'	39.3	4' 7"	5'