

GX

GX Adapt Multi-Head System w/ Integral Driver (Cable Suspended)

JOB NAME		CATALOG NUMBER	
NOTES		TYPE	

ELECTRICAL & PERFORMANCE DATA:

Lumen Configurations	System Wattage				Nominal Delivered Lumens Per Head*
	GX1	GX2	GX3	GX4	
L05	7.5	15	22.5	30	600lm
L0	10.5	21	31.5	42	800lm

*Valued shown at 3000K, 90CRI, Delivered Lumen output will vary depending on configurations

LED LIGHT ENGINE

- 90 CRI available in 2700K, 3000K, 3500K or 4000K
- 2 SDCM (2-Step MacAdam)
- L70 rating of 50,000 hours (70% output)

OPTICS

Field Changeable 18° Spot, 24° Narrow Flood, 36° Flood, 48° Wide Flood or 60° Very Wide Flood.

ELECTRICAL SYSTEM

- Input voltage range: 120V-277V
- Complies with IEEE C62.41 for surge endurance up to 2.5KV
- Additional surge protection recommended
- Power surge damage not covered by warranty
- Maximum ambient temperature: 35°C (95°F)

DIMMING

- Forward/reverse phase dimming 1% (120V only)
- 0-10V 1% Dimming (120V-277V)

CONSTRUCTION

Aluminum housing (6061-T6 alloy), aluminum end caps (5052-H3 alloy), and powder coating for durability.

MOUNTING

- The fixture mounts to a 3-1/2" octagon box. A mud ring is required for 3-1/2" square, 4" octagon/square junction boxes. (Note: Mud ring provided by others).
- Cable options are supplied with complete canopy assembly and color matched to housing finish

ACCESSORIES

- Accessories must be specified separately
- (1) accessory per head is allowed in the luminaire
- PFLM(W/B)-48 (hex cell louver) comes with a separate accessory holder and can hold (1) filter media with hex cell louver installed.

OPTIONAL TRIM COVER PLATE

Trim covers provide a smooth, seamless appearance and are color-matched to the finish of the housing. (Must specify separately)

LISTING / WARRANTY

- 5-Year Intense LED Limited Warranty
- ETL Listed to US and Canadian standards for damp locations



Part Number (Example: GX4-L05279NF-DIMUNV-BB-C72)

Series	Head Count	Wattage (Per Head)	CCT/CRI	Accent Optics	Dimming	Head Finish	Housing Finish	Mounting
GX (GX Adapt Multi-Head System w/ Integral Driver)	1 (1-Head, 3")	-L05 (7.5W)	279 (2700K / 90CRI)	SP (18° Spot)	-DIM120 (1%, Phase Dimming, 120V)	-B (Black)	B (Black)	-C24 (Cable Mount 24")
	2 (2-Head, 6")	-L0 (10.5W)	309 (3000K / 90CRI)	NF (24° Narrow Flood)				-C36 (Cable Mount 36")
	3 (3-Head, 9")		359 (3500K / 90CRI)	FL (36° Flood)	-D101UNV (1% 0-10V, 120V-277V)	-W (White)	W (White)	-C48 (Cable Mount 48")
	4 (4-Head, 12")		409 (4000K / 90CRI)	WF (48° Wide Flood) VF (60° Very Wide Flood)				

Additional Accessories: Must Order Separately.

Filter Media & Accessories

Must order (1) per head

PFL2-48	(Linear Spread)
PFL4-48	(Soft focus)
PFL6-48	(Spread Lens)
PFLMW-48*	(White Accessory Holder w/ Hex Cell Louver)
PFLMB-48*	(Black Accessory Holder w/ Hex Cell Louver)

*PFLM(W/B)-48 (hex cell louver) comes with a separate accessory holder and can hold (1) filter media with hex cell louver installed.

Additional Optics

Must order (1) per head

IP-OP48-SP	(18° Spot)
IP-OP48-NF	(24° Narrow Flood)
IP-OP48-FL	(36° Flood)
IP-OP48-WF	(48° Wide Flood)
IP-OP48-VF	(60° Very Wide Flood)

Optional Trim Cover Plate

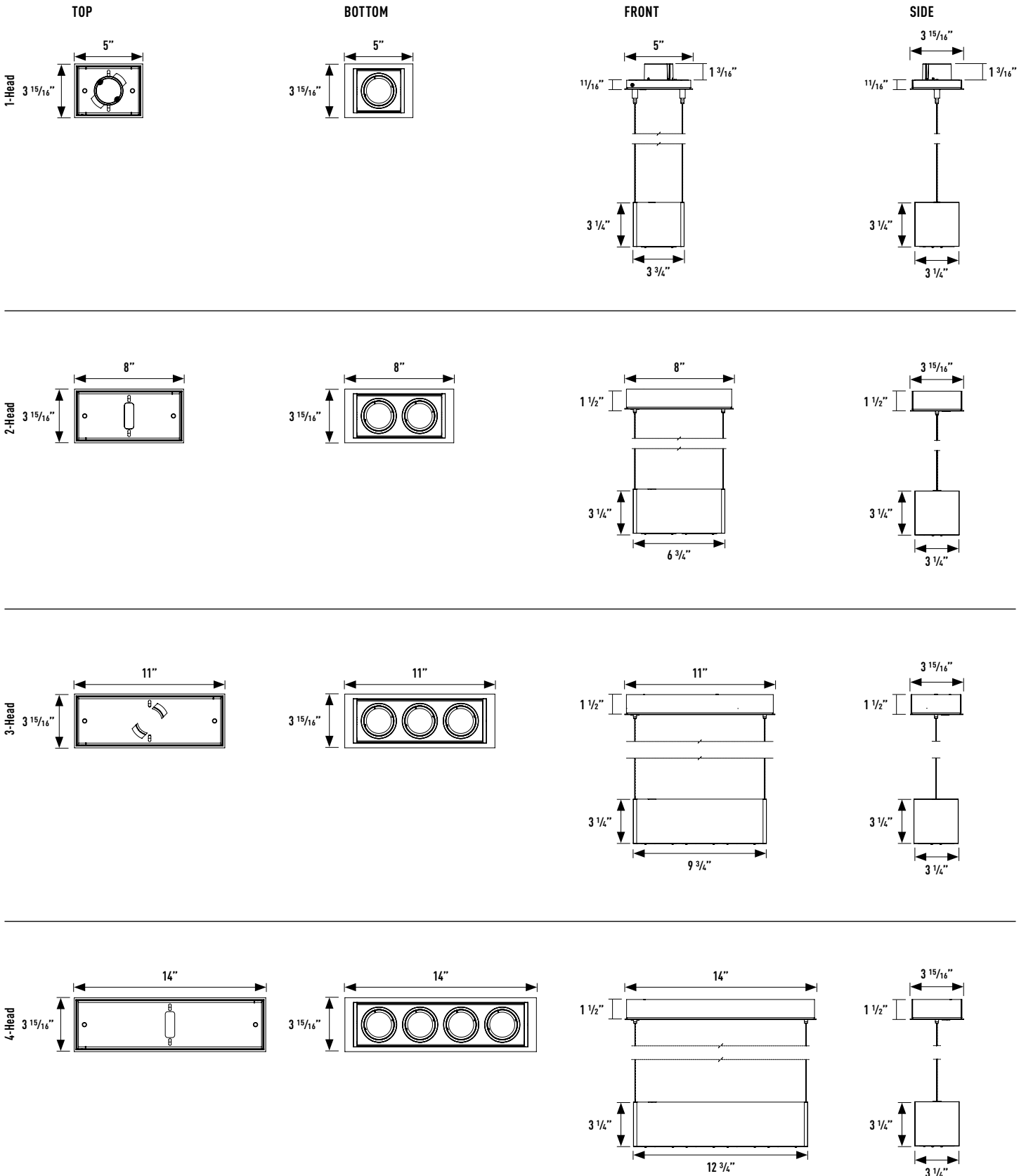
GXT1W	1-Head, White
GXT2W	2-Head, White
GXT3W	3-Head, White
GXT4W	4-Head, White
GXT1B	1-Head, Black
GXT2B	2-Head, Black
GXT3B	3-Head, Black
GXT4B	4-Head, Black

GX

GX Adapt Multi-Head System w/ Integral Driver (Cable Suspended)

JOB NAME		CATALOG NUMBER	
NOTES		TYPE	

FIXTURE DIMENSIONS

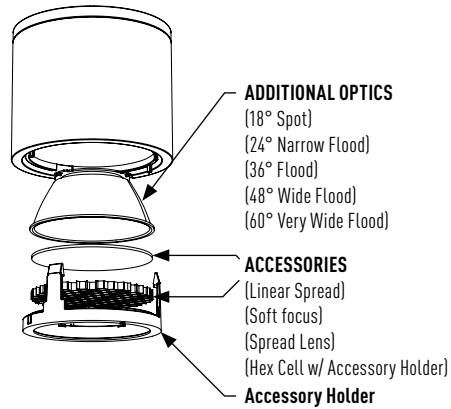


GX

GX Adapt Multi-Head System w/ Integral Driver (Cable Suspended)

JOB NAME		CATALOG NUMBER	
NOTES		TYPE	

CYLINDER ASSEMBLY



FILTER MEDIA & ACCESSORIES

Accessories must be specified separately; the luminaire can accommodate one accessory per head. Note that the PFLM(W/B)-48 (hex cell louver) will come with a separate accessory holder and can hold one (1) filter media with the hex cell louver installed.

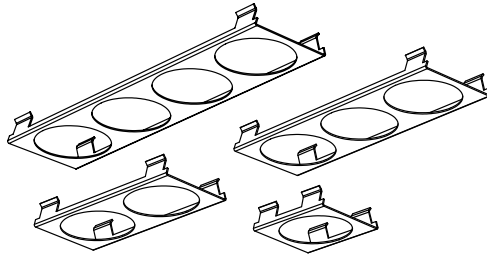
PFL2-48	(Linear Spread)
PFL4-48	(Soft focus)
PFL6-48	(Spread Lens)
PFLMW-48*	(White Accessory Holder w/ Hex Cell Louver)
PFLMB-48*	(Black Accessory Holder w/ Hex Cell Louver)

Additional Optics

Must order (1) per head

IP-OP48-SP	(18° Spot)
IP-OP48-NF	(24° Narrow Flood)
IP-OP48-FL	(36° Flood)
IP-OP48-WF	(48° Wide Flood)
IP-OP48-VF	(60° Very Wide Flood)

FINISHING TRIM



OPTIONAL TRIM COVER PLATE

Trim covers provide a clean seamless look which are color matched to the housings finish. Trim assembly easily integrated into the existing housings. (Must specify separately)

GXT1W	1-Head, White	GXT1B	1-Head, Black
GXT2W	2-Head, White	GXT2B	2-Head, Black
GXT3W	3-Head, White	GXT3B	3-Head, Black
GXT4W	4-Head, White	GXT4B	4-Head, Black

JOB NAME		CATALOG NUMBER	
NOTES		TYPE	

GX - L05 (7.5W)

Report #:

20230906-5.002 (18) - GX1-L05309-SP
 20230906-4.002 (24) - GX1-L05309-NF
 20230906-3.002 (36) - GX1-L05309-FL
 20230906-2.002 (48) - GX1-L05309-WF
 20230906-1.002 (60) - GX1-L05309-VF

CCT MULTIPLIERS:

2700K (x 0.76)
 3000K (x 0.87)
 3500K (x 0.87)
 4000K (x 0.87)

HEIGHT (FT)	18° Spot		24° Narrow Flood		36° Flood		48° Wide Flood		60° Very Wide Flood	
	FOOTCANDLES (FC)	BEAM DIAMETER (FT)	FOOTCANDLES (FC)	BEAM DIAMETER (FT)	FOOTCANDLES (FC)	BEAM DIAMETER (FT)	FOOTCANDLES (FC)	BEAM DIAMETER (FT)	FOOTCANDLES (FC)	BEAM DIAMETER (FT)
	4'	133.72	3.8	101.78	6.0	60.20	2.4	48.22	3.4	34.34
6'	59.43	5.6	45.24	9.0	26.76	3.6	21.43	5.1	15.26	7.9
8'	33.43	7.5	25.45	12.0	15.05	4.8	12.05	6.8	8.58	10.6
10'	21.40	9.4	16.29	15.1	9.63	6.1	7.72	8.5	5.49	13.2
12'	14.86	11.3	11.31	18.1	6.67	7.3	5.36	10.2	3.82	15.9

GX - L0 (10.5W)

Report #:

20230906-5.001 (18) - GX1-L0309-SP
 20230906-4.001 (24) - GX1-L0309-NF
 20230906-3.001 (36) - GX1-L0309-FL
 20230906-2.001 (48) - GX1-L0309-WF
 20230906-1.001 (60) - GX1-L0309-VF

CCT MULTIPLIERS:

2700K (x 0.76)
 3000K (x 0.87)
 3500K (x 0.87)
 4000K (x 0.87)

HEIGHT (FT)	18° Spot		24° Narrow Flood		36° Flood		48° Wide Flood		60° Very Wide Flood	
	FOOTCANDLES (FC)	BEAM DIAMETER (FT)	FOOTCANDLES (FC)	BEAM DIAMETER (FT)	FOOTCANDLES (FC)	BEAM DIAMETER (FT)	FOOTCANDLES (FC)	BEAM DIAMETER (FT)	FOOTCANDLES (FC)	BEAM DIAMETER (FT)
	4'	187.63	1.1	142.81	1.7	84.47	2.4	67.66	3.4	48.18
6'	83.39	1.6	63.47	2.6	37.54	3.6	30.07	5.1	21.41	7.9
8'	46.91	2.1	35.70	3.5	21.12	4.8	16.91	6.8	12.04	10.6
10'	30.02	2.6	22.85	4.4	13.52	6.1	10.83	8.5	7.71	13.2
12'	20.85	3.2	15.87	5.2	9.39	7.3	7.52	10.2	5.35	15.9