

GXR

GX Adapt Multi-Head System w/ Remote Driver (Cable Suspended or Surface Mount)

JOB NAME		CATALOG NUMBER	
NOTES		TYPE	

ELECTRICAL & PERFORMANCE DATA:

Lumen Configurations	System Wattage				Nominal Delivered Lumens Per Head*
	GX1	GX2	GX3	GX4	
L05	7.5	15	22.5	30	600lm
L0	10.5	21	31.5	42	800lm

*Valued shown at 3000K, 90CRI, Delivered Lumen output will vary depending on configurations

LED LIGHT ENGINE

- 90 CRI available in 2700K, 3000K, 3500K or 4000K
- 2 SDCM (2-Step MacAdam)
- L70 rating of 50,000 hours (70% output)

OPTICS

Field Changeable 18° Spot, 24° Narrow Flood, 36° Flood, 48° Wide Flood or 60° Very Wide Flood.

CONSTRUCTION

Aluminum housing (6061-T6 alloy), aluminum end caps (5052-H3 alloy), and powder coating for durability.

ELECTRICAL SYSTEM

- Input voltage range: 120V-277V
- Complies with IEEE C62.41 for surge endurance up to 2.5KV
- Additional surge protection recommended
- Power surge damage not covered by warranty
- Maximum ambient temperature: 35°C (95°F)

DIMMING

- Forward/reverse phase dimming 1% (120V only)
- 0-10V 1% Dimming 1%
- eldoLED SOL0drive 0-10V 0.1%
- eldoLED ECOdrive 0-10V 1%
- Lutron® LDE1 Hi-Lume 1% EcoSystem LED driver with Soft-on, Fade-to-Black dimming technology
- DMX512 RDM 0.1%

REMOTE BOX

- Galvanized steel construction
- Above ceiling access required for servicing
- Separate line voltage and low voltage wiring compartments
- 50ft remote distance maximum

MOUNTING

- The fixture mounts to a 3-1/2" octagon/square box. A mud ring is required for 4" octagon/square junction boxes. (Note: Mud ring provided by others).
- Cable options are supplied with complete canopy assembly and color matched to housing finish
- Cable mount option are field adjustable

ACCESSORIES

- Accessories must be specified separately
- (1) accessory per head is allowed in the luminaire
- PFLM(W/B)-48 (hex cell louver) comes with a separate accessory holder and can hold (1) filter media with hex cell louver installed.

OPTIONAL TRIM COVER PLATE

Trim covers provide a smooth, seamless appearance and are color-matched to the finish of the housing. (Must specify separately)

LISTING / WARRANTY

- 5-Year Intense LED Limited Warranty
- ETL Listed to US and Canadian standards for damp locations



Part Number (Example: GXR4-L05279NF-DIMUNV-BB-C72)

Series	Head Count	Wattage (Per Head)	CCT/CRI	Optics	Dimming
GXR	1 (1-Head, 3")	-L05 (7.5W / 600lm)	279 (2700K / 90CRI)	SP (18° Spot)	-DIM120 (1%, Phase 120V)
(GX Adapt Multi-Head)	2 (2-Head, 6")	-L0 (10.5W / 800lm)	309 (3000K / 90CRI)	NF (24° Narrow Flood)	-D101UNV (1%, 0-10V, 120V-277V)
System w/ Remote Driver)	3 (3-Head, 9")		359 (3500K / 90CRI)	FL (36° Flood)	-ED10V1UNV (1% eldoLED 0-10V, 120V-277V)
	4 (4-Head, 12")		409 (4000K / 90CRI)	WF (48° Wide Flood)	-ED10V01UNV (0.1%, eldoLED 0-10V, 120V-277V)
				VF (60° Very Wide Flood)	-LUTUNV (1% Lutron® LDE1 EcoSystem 120V-277V)
					-DMXUNV (0.1%, DMX512 RDM 120V-277V)

Head Finish	Housings Finish	Mounting
-B (Black)	B (Black)	-C24 (24" Cable Mount)
-W (White)	W (White)	-C36 (36" Cable Mount)
		-C48 (48" Cable Mount)
		-S (Surface Mount)

Additional Accessories: Must Order Separately.

Filter Media & Accessories

Must order (1) per head

- PFL2-48** (Linear Spread)
- PFL4-48** (Soft focus)
- PFL6-48** (Spread Lens)
- PFLMW-48*** (White Accessory Holder w/ Hex Cell Louver)
- PFLMB-48*** (Black Accessory Holder w/ Hex Cell Louver)

*PFLM(W/B)-48 (hex cell louver) comes with a separate accessory holder and can hold (1) filter media with hex cell louver installed.

Additional Optics

Must order (1) per head

- IP-OP48-SP** (18° Spot)
- IP-OP48-NF** (24° Narrow Flood)
- IP-OP48-FL** (36° Flood)
- IP-OP48-WF** (48° Wide Flood)
- IP-OP48-VF** (60° Very Wide Flood)

Optional Trim Cover Plate

- GXT1W** 1-Head, White
- GXT2W** 2-Head, White
- GXT3W** 3-Head, White
- GXT4W** 4-Head, White
- GXT1B** 1-Head, Black
- GXT2B** 2-Head, Black
- GXT3B** 3-Head, Black
- GXT4B** 4-Head, Black

SPEC SHEET LJM-0423-24 P.5

INTENSE LIGHTING | 725 Landwehr Road, Northbrook, IL 60062 | **tel** 714 630-9877 | **fax** 847 559-5505

For Intense Lighting's limited product warranty, go to www.intenselighting.com. For a printed copy of the warranty, you may call 800 961-5321.

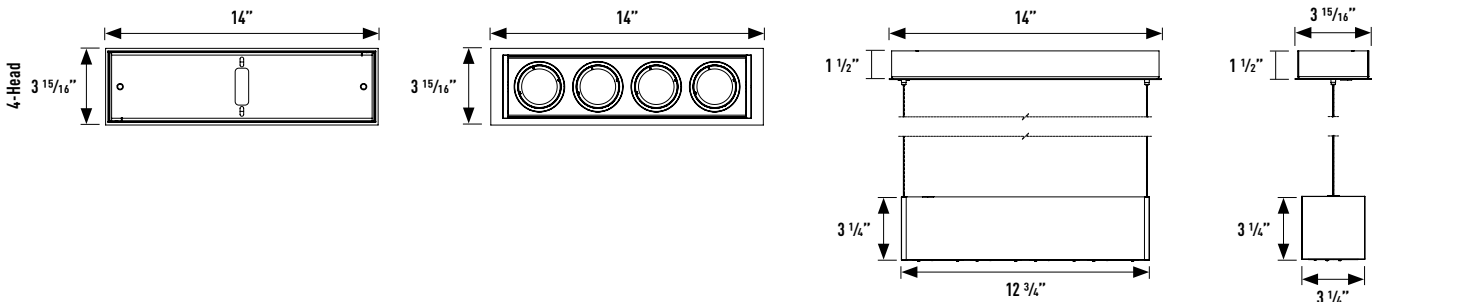
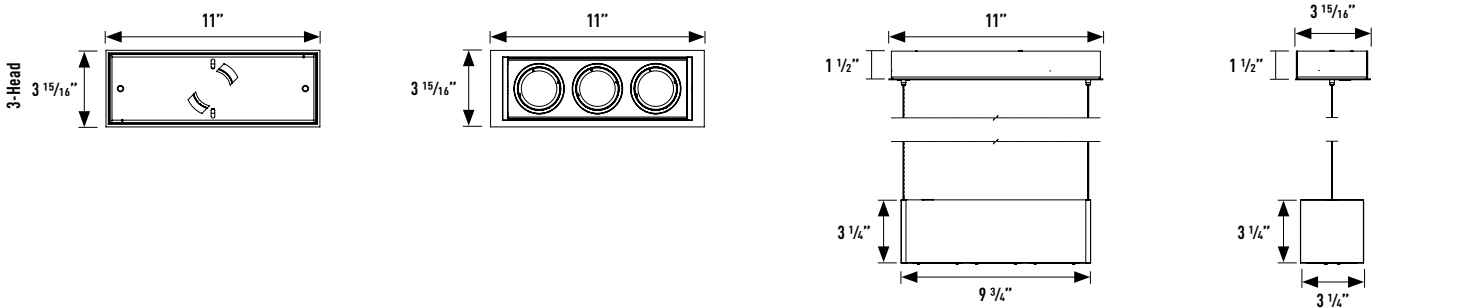
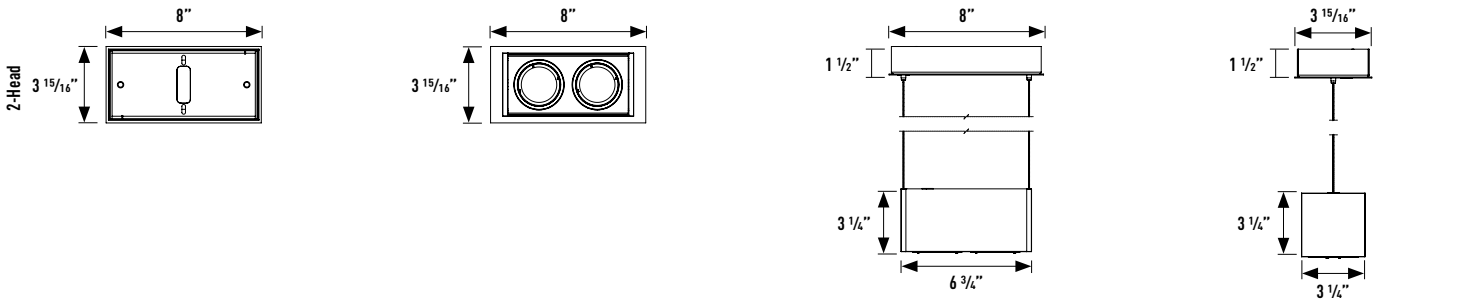
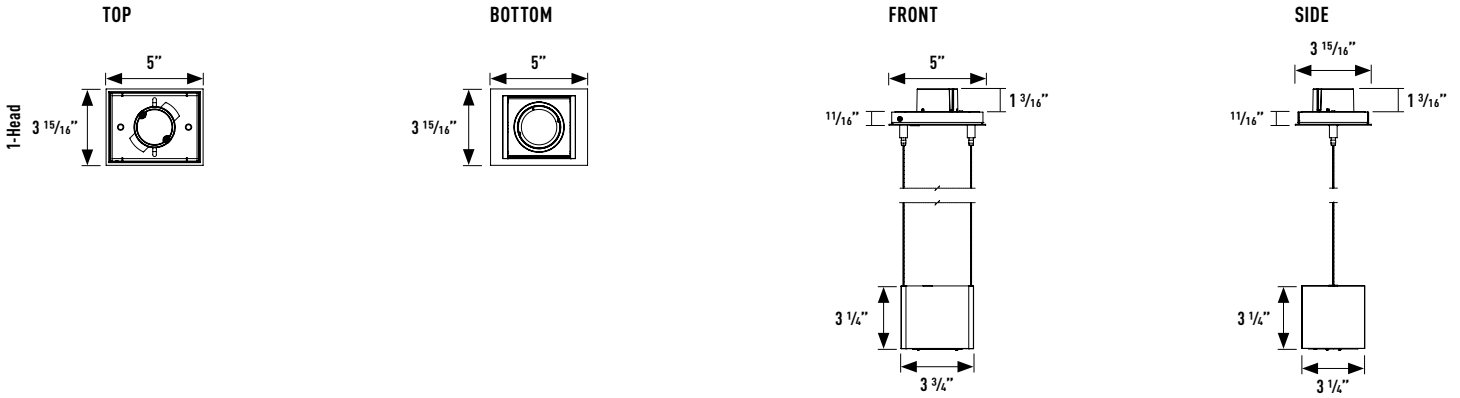
© 2024 Intense Lighting, LLC. All rights reserved. Note: This document is subject to change without notice.

GXR

GX Adapt Multi-Head System w/ Remote Driver (Cable Suspended or Surface Mount)

JOB NAME		CATALOG NUMBER	
NOTES		TYPE	

FIXTURE DIMENSIONS (CABLE SUSPENDED)



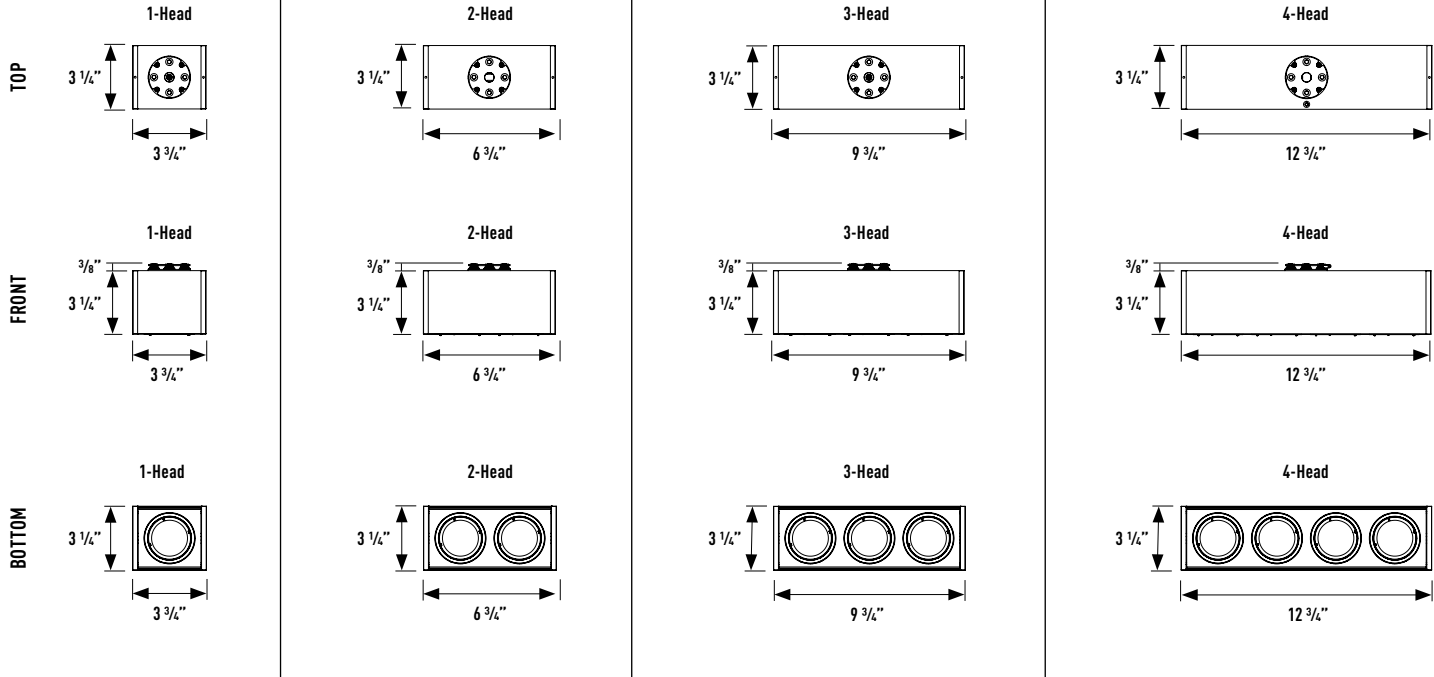
SPEC SHEET LJM-0423.24 P-6

GXR

GX Adapt Multi-Head System w/ Remote Driver (Cable Suspended or Surface Mount)

JOB NAME		CATALOG NUMBER	
NOTES		TYPE	

FIXTURE DIMENSION (SURFACE MOUNT)

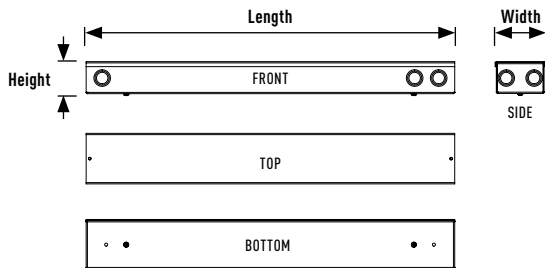


REMOTE DRIVER DIMENSIONS

Size	Length	Width	Height
XS	7-3/4"	3-7/16"	1-3/4"
SM	14"	3 3/16"	2"
MD	23"	3 3/16"	2"
LG	29 13/16"	3 3/16"	2"

REMOTE DRIVER SIZE CHART

	DIM	D101	ED10V1	ED10V01	LUT	DMX
1-Head	SM	SM	XS	XS	SM	XS
2-Head	SM	SM	LG	LG	MD	LG
3-Head	SM	SM	LG	LG	MD	LG
4-Head	MD	MD	LG	LG	LG	LG

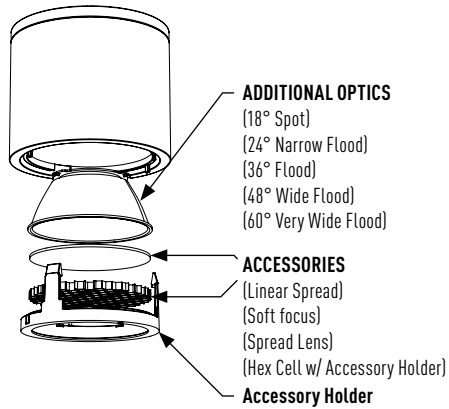


GXR

GX Adapt Multi-Head System w/ Remote Driver (Cable Suspended or Surface Mount)

JOB NAME		CATALOG NUMBER	
NOTES		TYPE	

CYLINDER ASSEMBLY



FILTER MEDIA & ACCESSORIES

Accessories must be specified separately; the luminaire can accommodate one accessory per head. Note that the PFLM(W/B)-48 (hex cell louver) will come with a separate accessory holder and can hold one (1) filter media with the hex cell louver installed.

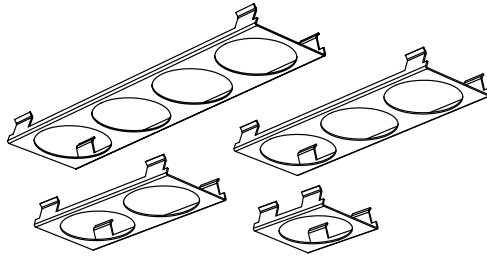
PFL2-48	(Linear Spread)
PFL4-48	(Soft focus)
PFL6-48	(Spread Lens)
PFLMW-48*	(White Accessory Holder w/ Hex Cell Louver)
PFLMB-48*	(Black Accessory Holder w/ Hex Cell Louver)

Additional Optics

Must order (1) per head

IP-OP48-SP	(18° Spot)
IP-OP48-NF	(24° Narrow Flood)
IP-OP48-FL	(36° Flood)
IP-OP48-WF	(48° Wide Flood)
IP-OP48-VF	(60° Very Wide Flood)

FINISHING TRIM



OPTIONAL TRIM COVER PLATE

Trim cover provide a clean seamless look which are color matched to the housings finish. Trim assembly easily integrated into the existing housings. (Must specify separately)

GXT1W	1-Head, White	GXT1B	1-Head, Black
GXT2W	2-Head, White	GXT2B	2-Head, Black
GXT3W	3-Head, White	GXT3B	3-Head, Black
GXT4W	4-Head, White	GXT4B	4-Head, Black

JOB NAME		CATALOG NUMBER	
NOTES		TYPE	

GX - L05 (7.5W)

Report #:

20230906-5.002 (18) - GX1-L05309-SP
 20230906-4.002 (24) - GX1-L05309-NF
 20230906-3.002 (36) - GX1-L05309-FL
 20230906-2.002 (48) - GX1-L05309-WF
 20230906-1.002 (60) - GX1-L05309-VF

CCT MULTIPLIERS:

2700K (x 0.76)
 3000K (x 0.87)
 3500K (x 0.87)
 4000K (x 0.87)

HEIGHT (FT)	18° Spot		24° Narrow Flood		36° Flood		48° Wide Flood		60° Very Wide Flood	
	FOOTCANDLES (FC)	BEAM DIAMETER (FT)	FOOTCANDLES (FC)	BEAM DIAMETER (FT)	FOOTCANDLES (FC)	BEAM DIAMETER (FT)	FOOTCANDLES (FC)	BEAM DIAMETER (FT)	FOOTCANDLES (FC)	BEAM DIAMETER (FT)
	4'	133.72	3.8	101.78	6.0	60.20	2.4	48.22	3.4	34.34
6'	59.43	5.6	45.24	9.0	26.76	3.6	21.43	5.1	15.26	7.9
8'	33.43	7.5	25.45	12.0	15.05	4.8	12.05	6.8	8.58	10.6
10'	21.40	9.4	16.29	15.1	9.63	6.1	7.72	8.5	5.49	13.2
12'	14.86	11.3	11.31	18.1	6.67	7.3	5.36	10.2	3.82	15.9

GX - L0 (10.5W)

Report #:

20230906-5.001 (18) - GX1-L0309-SP
 20230906-4.001 (24) - GX1-L0309-NF
 20230906-3.001 (36) - GX1-L0309-FL
 20230906-2.001 (48) - GX1-L0309-WF
 20230906-1.001 (60) - GX1-L0309-VF

CCT MULTIPLIERS:

2700K (x 0.76)
 3000K (x 0.87)
 3500K (x 0.87)
 4000K (x 0.87)

HEIGHT (FT)	18° Spot		24° Narrow Flood		36° Flood		48° Wide Flood		60° Very Wide Flood	
	FOOTCANDLES (FC)	BEAM DIAMETER (FT)	FOOTCANDLES (FC)	BEAM DIAMETER (FT)	FOOTCANDLES (FC)	BEAM DIAMETER (FT)	FOOTCANDLES (FC)	BEAM DIAMETER (FT)	FOOTCANDLES (FC)	BEAM DIAMETER (FT)
	4'	187.63	1.1	142.81	1.7	84.47	2.4	67.66	3.4	48.18
6'	83.39	1.6	63.47	2.6	37.54	3.6	30.07	5.1	21.41	7.9
8'	46.91	2.1	35.70	3.5	21.12	4.8	16.91	6.8	12.04	10.6
10'	30.02	2.6	22.85	4.4	13.52	6.1	10.83	8.5	7.71	13.2
12'	20.85	3.2	15.87	5.2	9.39	7.3	7.52	10.2	5.35	15.9