

LC4 / LD4D-DG

4" LC Warm Dim Fire-Rated Downlight w/ Drop Lens

ELECTRICAL DATA

LED Light Engine	System Wattage *	CCT / CRI	Nominal Delivered Lumens **
L4	14W	3000K to 1800K / 92CRI	1150lm

*System Wattage includes driver & LED Module consumption / **Delivered Lumen output will vary depending on CCT, CRI & finish

FEATURES

- J-Box housing design meets 2HR Fire Rating per UL514A
- Inherent airtight IC and CCEA rated for Chicago Plenum
- Concrete pour option available
- Single housing design accepts both round and square trims

LED LIGHT ENGINE

- Warm Dim 3000K to 1800K at 92CRI
- 2 SDCM (2-Step MacAdam)
- 50,000 hours L70 (rated life at 70% output)

ELECTRICAL SYSTEM

- Universal 120V - 277V input
- This product complies with IEEE C62.41 for surge endurance up to 2.5KV
- Additional surge protection recommended
- Damage from power surge is not covered by warranty

HOUSING

- 16 gauge galvanized steel
- IC airtight and Chicago plenum rated, Also suitable for Non-IC applications
- Concrete pour option (includes mounting tabs)

DIMMING

- Phase and 0-10V dimming available via single driver
- Forward/reverse phase dimming (120V only)
- 0-10V 5% dimming
- [Dimming compatibility chart link](#)

TRIM ASSEMBLY

- Die-cast trim and heat sink assembly with quick connect for easy installation.
- High optical transparency diffusion lens
- Wet location listed

INSTALLATION

- Junction box housing is standard type IC Air-Tight rated for direct contact with insulation
- Fixture includes adjustable bar hangers (14"-24") for wood joist or t-bar ceiling installations
- Accommodates ceilings with a 1/2" to 1-1/2" thickness
- Maximum ambient temperature 50°C (122°F)

LISTING

- Trim Assembly: ETL listed to US and Canadian standards for wet location
- Housing: ETL listed to UL 1598 standard
- ETL fire rate listed conforms to UL standard 263
- CCEA rated for Chicago Plenum installations
- STC:57/ IIC:50
- 5-Year Intense LED Limited Warranty
- Can be used to comply with 2016 Title 24, Part 6, JA8 high efficacy LED light source requirements



JOB NAME	CATALOG NUMBER
NOTES	TYPE

fundamentals™



4" Drop Lens Trim

Ceiling Cut Out: 4 5/16" Octagonal. Maximum Ceiling Thickness: 1 1/2"

For alternate dimming options see LC4F Downlight specification

Frame-In Part Number (Example: LC4L4)

Frame-In	Wattage	Dimming	Options
LC4 (Fire-Rated, J-box housing)	L4 (14W)	blank (120V-277V, 120V Phase ¹ , 0-10V)	P (Concrete Pour)

Trim Assembly Part Number (Example: LD4DRWDDG-SFW)

Trim	CCT/CRI	Finish
LD4DR (4" Downlight Round)	WD (3000K-1800K)	DG-SFW (Drop Lens / Self-Flanged White)

Note:

1. Phase Dimming, 120V only

SPECIFICATION SHEET L/M-0830-24-P-16

INTENSE LIGHTING | 3340 E La Palma Ave, Anaheim, CA 92806 | tel 714 630-9877 | fax 714 630-9883

For Intense Lighting's limited product warranty, go to www.intenselighting.com. For a printed copy of the warranty, you may call 800 961-5321.

© 2024 Intense Lighting, LLC. All rights reserved. Note: This document is subject to change without notice.



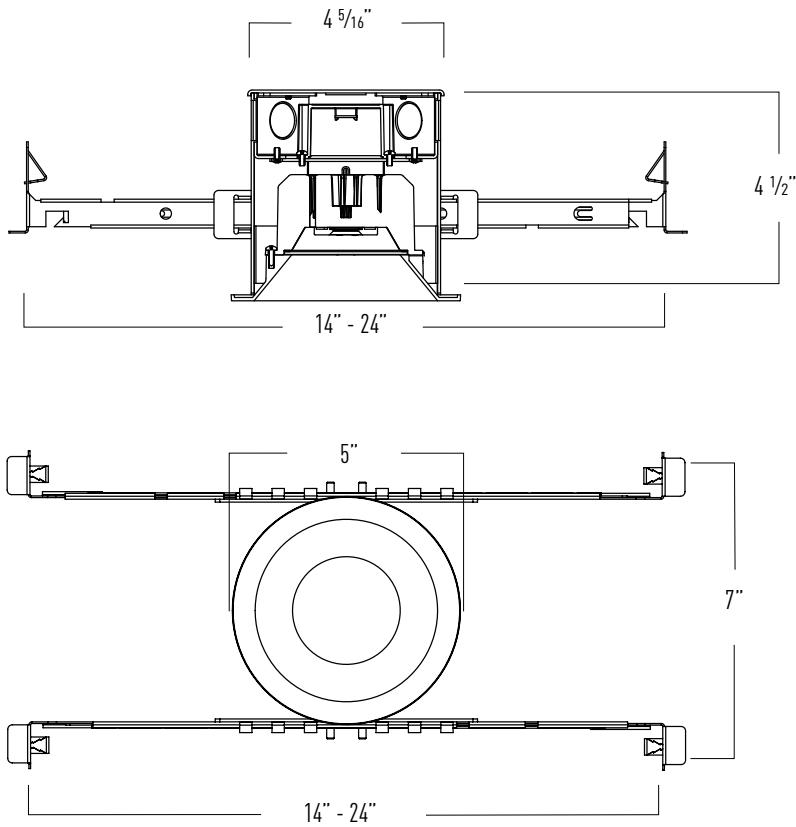
LC4 / LD4D-DG

4" LC Warm Dim Fire-Rated Downlight w/ Drop Lens

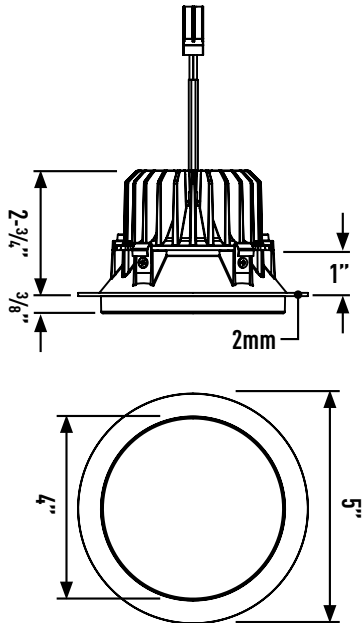
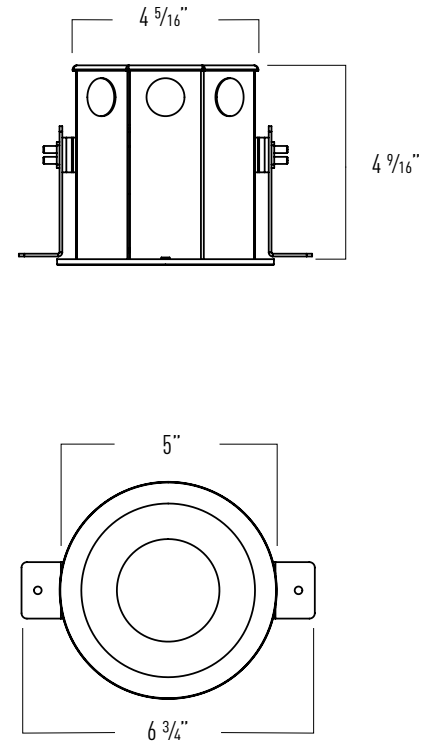
JOB NAME		CATALOG NUMBER	
NOTES		TYPE	

fundamentals™

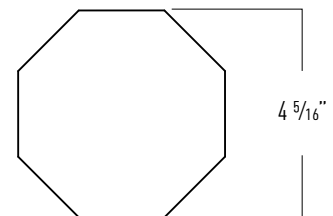
Standard Housings



Concrete Pour Housings



Ceiling Cut Out



Ceiling Cut Out: $4 \frac{5}{16}"$ octagonal. Maximum Ceiling Thickness: $1 \frac{1}{2}"$

LC4 / LD4D-DG

4" LC Warm Dim Fire-Rated Downlight w/ Drop Lens

JOB NAME		CATALOG NUMBER	
NOTES		TYPE	

LC4L4 / LD4DRWDDG-SFW

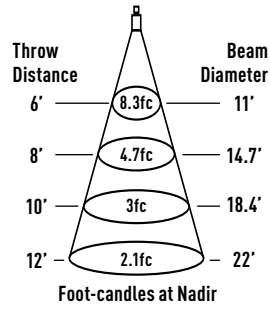
REPORT #: 20210312-1.002

CCT MULTIPLIERS (90CRI):

2700K (x 1.00)
 3000K (x 1.00)
 3500K (x 1.00)
 4000K (x 1.00)

TRIM FINISH MULTIPLIERS:

White (x 1.00)
 Black (x 0.85)
 Satin Nickel (x 0.91)



Watts: 8 LPW: 75
 Lumens: 600 CCT: 3000K

Intensity	
Degree	CBCP
0°	299
5°	296
15°	275
25°	240
35°	193
45°	131

LC4L3 / LD4DRWDDG-SFW

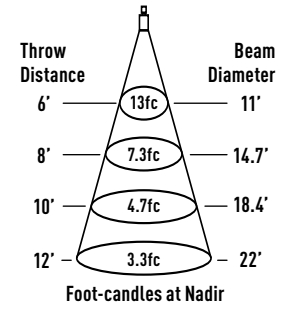
REPORT #: 20210312-1.001

CCT MULTIPLIERS (90CRI):

2700K (x 1.00)
 3000K (x 1.00)
 3500K (x 1.00)
 4000K (x 1.00)

TRIM FINISH MULTIPLIERS:

White (x 1.00)
 Black (x 0.85)
 Satin Nickel (x 0.91)



Watts: 11 LPW: 81.8
 Lumens: 900 CCT: 3000K

Intensity	
Degree	CBCP
0°	468
5°	464
15°	430
25°	377
35°	302
45°	206

LC4L4 / LD4DRWDDG-SFW

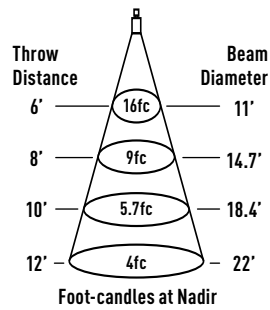
REPORT #: 20210312-1.003

CCT MULTIPLIERS (90CRI):

2700K (x 1.00)
 3000K (x 1.00)
 3500K (x 1.00)
 4000K (x 1.00)

TRIM FINISH MULTIPLIERS:

White (x 1.00)
 Black (x 0.85)
 Satin Nickel (x 0.91)



Watts: 14 LPW: 82.14
 Lumens: 1150 CCT: 3000K

Intensity	
Degree	CBCP
0°	575
5°	570
15°	528
25°	462
35°	371
45°	253