

# LC4 / LD4D

## 4" LC Warm Dim Fire-Rated Downlight

### ELECTRICAL DATA

LED Light Engine	System Wattage *	CCT / CRI	Nominal Delivered Lumens **	
			Round	Square
L4	14W	3000K to 1800K / 92CRI	850lm	800lm

\*System Wattage includes driver & LED Module consumption / \*\*Delivered Lumen output will vary depending on CCT, CRI & finish

### FEATURES

- J-Box housing design meets 2HR Fire Rating per UL514A
- Inherent airtight IC and CCEA rated for Chicago Plenum
- Concrete pour option available
- Single housing design accepts both round and square trims

### LED LIGHT ENGINE

- Warm Dim 3000K to 1800K at 92CRI
- 2 SDCM (2-Step MacAdam)
- 50,000 hours L70 (rated life at 70% output)

### ELECTRICAL SYSTEM

- Universal 120V - 277V input
- This product complies with IEEE C62.41 for surge endurance up to 2.5KV
- Additional surge protection recommended
- Damage from power surge is not covered by warranty

### HOUSING

- 16 gauge galvanized steel
- IC airtight and Chicago plenum rated. Also suitable for Non-IC applications
- Concrete pour option (includes mounting tabs)

### DIMMING

- Phase and 0-10V dimming available via single driver
- Forward/reverse phase dimming (120V only)
- 0-10V 5% dimming
- [Dimming compatibility chart link](#)

### TRIM ASSEMBLY

- Powder coated aluminum die-cast trim
- Non Conductive trim made of heavy duty injection molded polymer
- Quick connect for easy installation
- High optical transparency diffusion lens provides enhanced visual comfort
- Wet location listed

### INSTALLATION

- Junction box housing is standard type IC Air-Tight rated for direct contact with insulation
- Fixture includes adjustable bar hangers (14"-24") for wood joist or t-bar ceiling installations
- Accommodates ceilings with a 1/2" to 1-1/2" thickness
- Maximum ambient temperature 50°C (122°F)

### LISTING

- Trim Assembly: ETL listed to US and Canadian standards for wet location
- Housing: ETL listed to UL 1598 standard
- ETL fire rate listed conforms to UL standard 263
- CCEA rated for Chicago Plenum installations
- STC:57/ IIC:50
- 5-Year Intense LED Limited Warranty
- Can be used to comply with 2016 Title 24, Part 6, JA8 high efficacy LED light source requirements<sup>3</sup>



JOB NAME		CATALOG NUMBER	
NOTES		TYPE	

## fundamentals™



LD4DR



LD4DS

For alternate dimming options see LC4F Downlight specification

Ceiling Cut Out: 4 5/16" Octagonal. Maximum Ceiling Thickness: 1 1/2"

### Frame-In Part Number (Example: LC4L4)

Frame-In	Wattage	Dimming	Options
LC4 (Fire-Rated, J-box housing)	L4 (14W)	blank (120V-277V, 120V Phase <sup>1</sup> , 0-10V)	P (Concrete Pour)

### Trim Assembly Part Number (Example: LD4DRWDW-SF)

Trim	CCT/CRI	Finish
LD4DR (4" Downlight Round)	WD (3000K-1800K)	W-SF (White / Self-Flanged)
LD4DS (4" Downlight Square)		B-SF (Black / Self-Flanged)
		SN-SFW (Satin Nickel / Self-Flanged White)
		NC-SF <sup>2</sup> (White Non Conductive / Self-Flanged)

### Note:

1. Phase Dimming, 120V only
2. Available in Round Only
3. 2016 Title 24, Part 6, JA8 excludes: B-SF & SN-SFW options

SPECIFICATION SHEET L/M-0830-24 P-10

INTENSE LIGHTING | 3340 E La Palma Ave, Anaheim, CA 92806 | tel 714 630-9877 | fax 714 630-9883

For Intense Lighting's limited product warranty, go to [www.intenselighting.com](http://www.intenselighting.com). For a printed copy of the warranty, you may call 800 961-5321.

© 2024 Intense Lighting, LLC. All rights reserved. Note: This document is subject to change without notice.

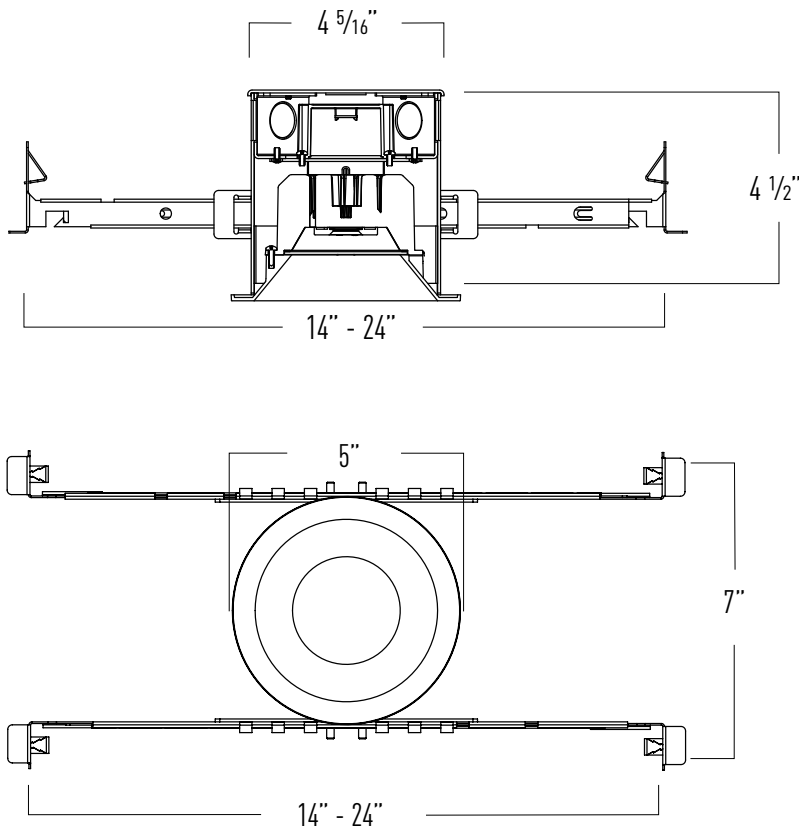
# LC4 / LD4D

4" LC Warm Dim Fire-Rated Downlight

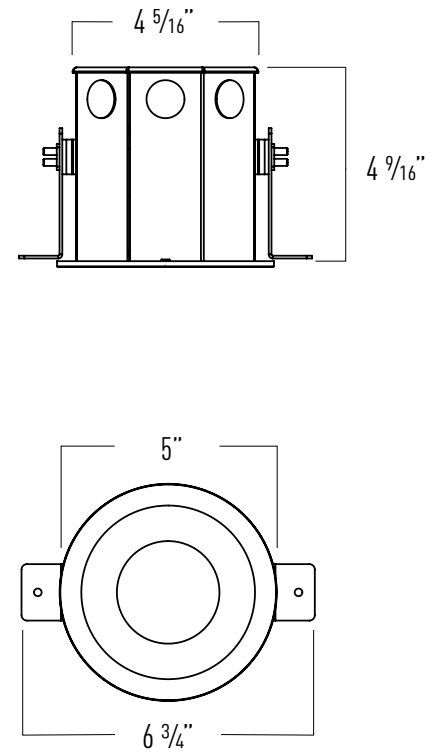
JOB NAME		CATALOG NUMBER	
NOTES		TYPE	

## fundamentals™

### Standard Housings

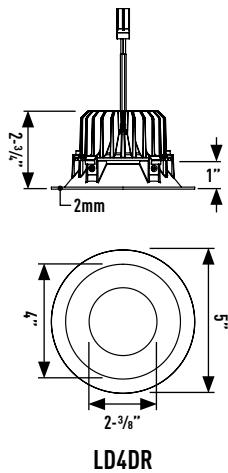


### Concrete Pour Housings



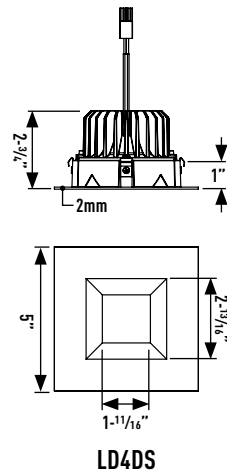
### Downlight Trim

#### Round



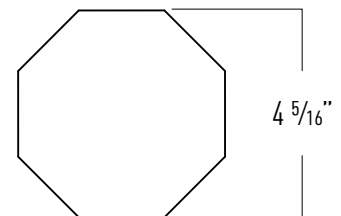
LD4DR

#### Square



LD4DS

### Ceiling Cut Out



Ceiling Cut Out: 4 5/16" octagonal. Maximum Ceiling Thickness: 1 1/2"

# LC4 / LD4D

4" LC Warm Dim Fire-Rated Downlight

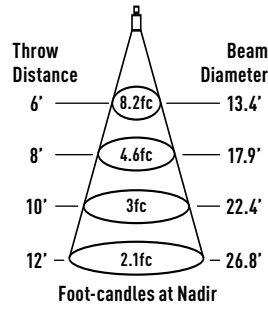
JOB NAME		CATALOG NUMBER	
NOTES		TYPE	

## LC4L4 / LD4DRWD-SFW

REPORT #: 20210311-1.102

### TRIM FINISH MULTIPLIERS:

White (x 1.00)  
 Black (x 0.85)  
 Satin Nickel (x 0.91)



Watts: 8      LPW: 81.25  
 Lumens: 650      CCT: 3000K

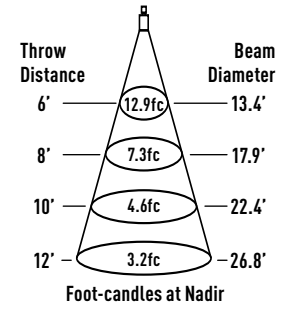
Intensity	
Degree	CBCP
0°	297
5°	296
15°	288
25°	254
35°	211
45°	166

## LC4L3 / LD4DRWD-SFW

REPORT #: 20210311-1.101

### TRIM FINISH MULTIPLIERS:

White (x 1.00)  
 Black (x 0.85)  
 Satin Nickel (x 0.91)



Watts: 11      LPW: 90.9  
 Lumens: 1000      CCT: 3000K

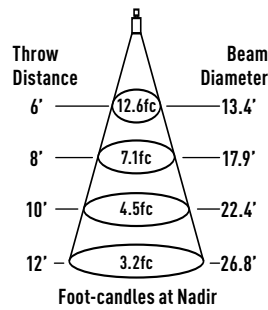
Intensity	
Degree	CBCP
0°	465
5°	464
15°	451
25°	398
35°	330
45°	261

## LC4L4 / LD4DRWD-SFW

REPORT #: 20210311-1.103

### TRIM FINISH MULTIPLIERS:

White (x 1.00)  
 Black (x 0.85)  
 Satin Nickel (x 0.91)



Watts: 14      LPW: 89.3  
 Lumens: 1250      CCT: 3000K

Intensity	
Degree	CBCP
0°	570
5°	570
15°	554
25°	489
35°	405
45°	320