

# LC4 / LD4W

## 4" LC Warm Dim Fire-Rated Wall Wash

### ELECTRICAL DATA

| LED Light Engine | System Wattage * | CCT / CRI              | Nominal Delivered Lumens ** |        |
|------------------|------------------|------------------------|-----------------------------|--------|
|                  |                  |                        | Round                       | Square |
| L4               | 14W              | 3000K to 1800K / 92CRI | 700lm                       | 650lm  |

\*System Wattage includes driver & LED Module consumption / \*\*Delivered Lumen output will vary depending on CCT, CRI & finish

### FEATURES

- J-Box housing design meets 2HR Fire Rating per UL514A
- Inherent airtight IC and CCEA rated for Chicago Plenum
- Concrete pour option available
- Single housing design accepts both round and square trims

### LED LIGHT ENGINE

- Warm Dim 3000K to 1800K at 92CRI
- 2 SDCM (2-Step MacAdam)
- 50,000 hours L70 (rated life at 70% output)

### ELECTRICAL SYSTEM

- Universal 120V - 277V input
- This product complies with IEEE C62.41 for surge endurance up to 2.5KV
- Additional surge protection recommended
- Damage from power surge is not covered by warranty

### HOUSING

- 16 gauge galvanized steel
- IC airtight and Chicago plenum rated. Also suitable for Non-IC applications
- Concrete pour option (includes mounting tabs)

### DIMMING

- Phase and 0-10V dimming available via single driver
- Forward/reverse phase dimming (120V only)
- 0-10V 5% dimming
- [Dimming compatibility chart link](#)

### TRIM ASSEMBLY

- Die-cast trim and heat sink assembly with quick connect for easy installation.
- High optical transparency diffusion lens
- Wet location listed

### INSTALLATION

- Junction box housing is standard type IC Air-Tight rated for direct contact with insulation
- Fixture includes adjustable bar hangers (14"-24") for wood joist or t-bar ceiling installations
- Accommodates ceilings with a 1/2" to 1-1/2" thickness
- Maximum ambient temperature 50°C (122°F)

### LISTING

- Trim Assembly: ETL listed to US and Canadian standards for wet location
- Housing: ETL listed to UL 1598 standard
- ETL fire rate listed conforms to UL standard 263
- CCEA rated for Chicago Plenum installations
- STC:57/ IIC:50
- 5-Year Intense LED Limited Warranty
- Can be used to comply with 2016 Title 24, Part 6, JA8 high efficacy LED light source requirements<sup>2</sup>



|          |  |                |  |
|----------|--|----------------|--|
| JOB NAME |  | CATALOG NUMBER |  |
| NOTES    |  | TYPE           |  |

## fundamentals™



LD4WR



LD4WS

Ceiling Cut Out: 4 5/16" Octagonal. Maximum Ceiling Thickness: 1 1/2"

For alternate dimming options see LC4F Downlight specification

### Frame-In Part Number (Example: LC4L4)

| Frame-In                        | Wattage  | Dimming  | Options           |
|---------------------------------|----------|--|-------------------|
| LC4 (Fire-Rated, J-box housing) | L4 (14W) | blank (120V-277V, 120V Phase <sup>1</sup> , 0-10V) | P (Concrete Pour) |

### Trim Assembly Part Number (Example: LDRWRWDW-SF)

| Trim                        | CCT/CRI          | Finish                                     |
|-----------------------------|------------------|--|
| LD4WR (4" Wall Wash Round)  | WD (3000K-1800K) | W-SF (White / Self-Flanged)                |
| LD4WS (4" Wall Wash Square) |                  | B-SF (Black / Self-Flanged)                |
|                             |                  | SN-SFW (Satin Nickel / Self-Flanged White) |

### Note:

1. Phase Dimming, 120V only
2. 2016 Title 24, Part 6, JA8 excludes: B-SF & SN-SFW options

SPECIFICATION SHEET L/M-0830-24 P-13

INTENSE LIGHTING | 3340 E La Palma Ave, Anaheim, CA 92806 | tel 714 630-9877 | fax 714 630-9883

For Intense Lighting's limited product warranty, go to [www.intenselighting.com](http://www.intenselighting.com). For a printed copy of the warranty, you may call 800 961-5321.

© 2024 Intense Lighting, LLC. All rights reserved. Note: This document is subject to change without notice.



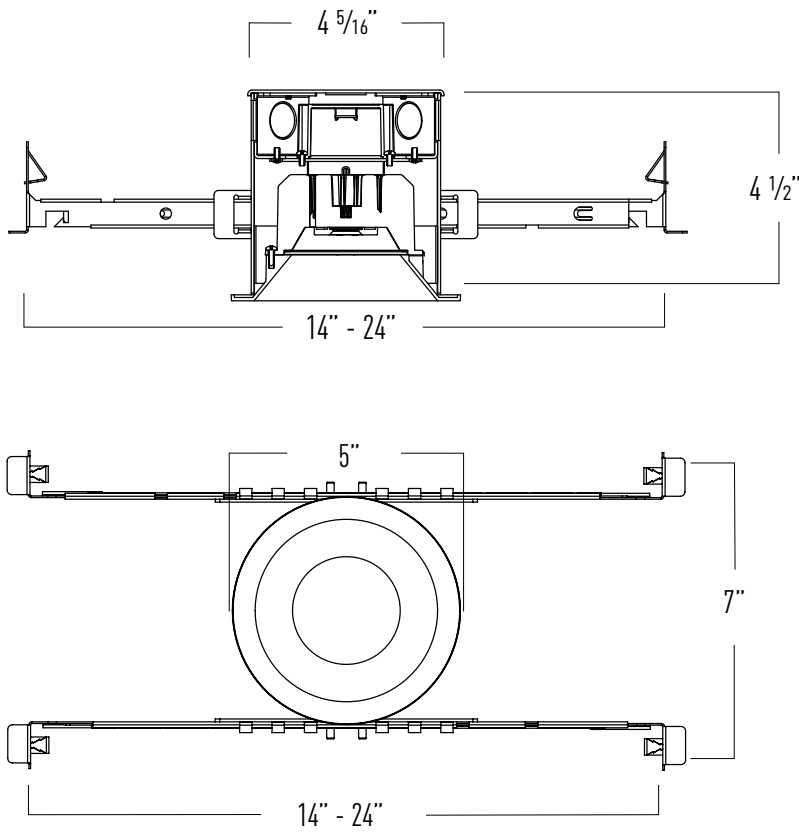
# LC4 / LD4W

4" LC Warm Dim Fire-Rated Wall Wash

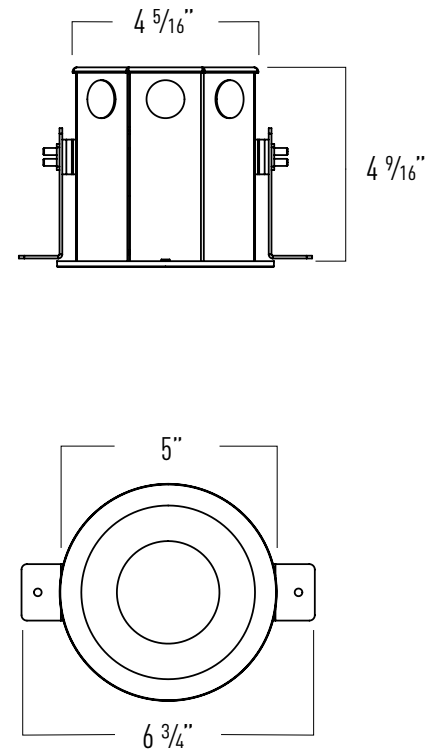
|          |  |                |  |
|----------|--|----------------|--|
| JOB NAME |  | CATALOG NUMBER |  |
| NOTES    |  | TYPE           |  |

## fundamentals™

### Standard Housings

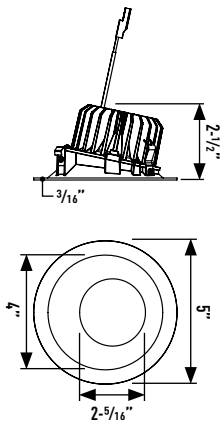


### Concrete Pour Housings



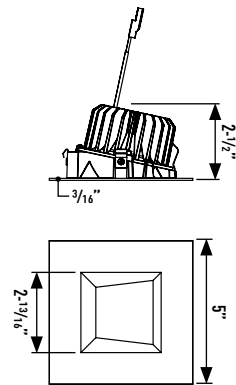
### Wall Wash Trim

#### Round



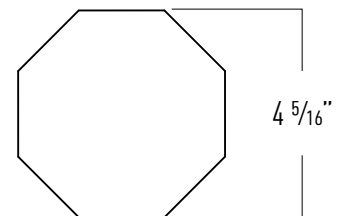
LD4WR

#### Square



LD4WS

### Ceiling Cut Out



Ceiling Cut Out:  $4 \frac{5}{16}''$  octagonal. Maximum Ceiling Thickness:  $1 \frac{1}{2}''$

# LC4 / LD4W

4" LC Warm Dim Fire-Rated Wall Wash

|          |  |                |  |
|----------|--|----------------|--|
| JOB NAME |  | CATALOG NUMBER |  |
| NOTES    |  | TYPE           |  |

## LC4L4 / LD4WR309-SFW

REPORT #: 20210315-2.102

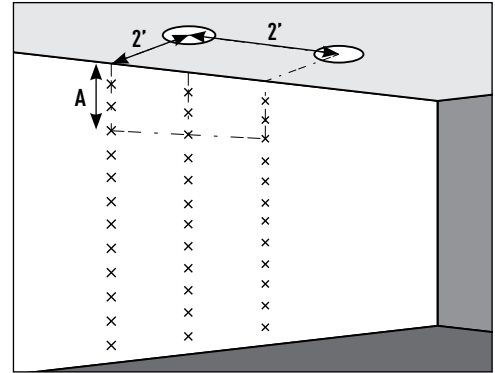
Watts: 8  
Lumens: 550  
LPW: 68.75  
CCT: 3000K

**TRIM FINISH MULTIPLIERS:**

White (x 1.00)  
Black (x 0.91)  
Satin Nickel (x 0.95)

| (A)<br>Distance<br>From<br>Ceiling | 2' From Wall<br>On 2' Centers | 3' From Wall<br>On 2' Centers | 3' From Wall<br>On 3' Centers |
|------------------------------------|-------------------------------|-------------------------------|-------------------------------|
|                                    | □ 2' □                        | □ 2' □                        | □ 3' □                        |
| 1'                                 | 6 6 6                         | 0.6 0.6 0.6                   | 0.4 0.3 0.4                   |
| 2'                                 | 26 26 26                      | 11 11 11                      | 5 5 5                         |
| 3'                                 | 18 19 18                      | 16 16 16                      | 7 7 7                         |
| 4'                                 | 12 12 12                      | 13 13 13                      | 6 6 6                         |
| 5'                                 | 8 8 8                         | 9 10 9                        | 4 5 4                         |
| 6'                                 | 5 5 5                         | 7 7 7                         | 3 3 3                         |
| 7'                                 | 4 4 4                         | 5 5 5                         | 2 2 2                         |
| 8'                                 | 3 3 3                         | 4 4 4                         | 2 2 2                         |
| 9'                                 | 2 2 2                         | 3 3 3                         | 1 1 1                         |
| 10'                                | 1.4 1.4 1.4                   | 2 2 2                         | 1 1 1                         |
| 11'                                | 1.1 1.1 1.1                   | 1.6 1.6 1.6                   | 0.8 0.9 0.8                   |
| 12'                                | 0.8 0.8 0.8                   | 1.2 1.2 1.2                   | 0.7 0.7 0.7                   |

Example: Two luminaires located 2' from wall and spaced 2' on center, the illumination on the wall 3' down from ceiling will be 11fc beneath units and 12fc between units



## LC4L3 / LD4WR309-SFW

REPORT #: 20210315-2.102

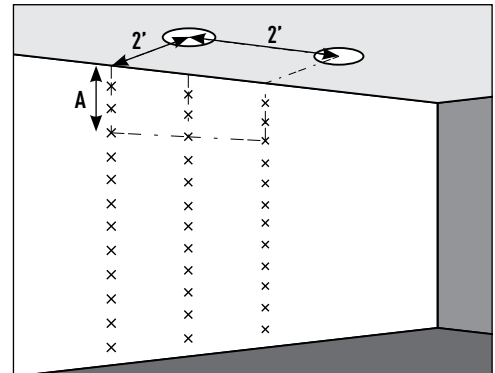
Watts: 11  
Lumens: 900  
LPW: 81.81  
CCT: 3000K

**TRIM FINISH MULTIPLIERS:**

White (x 1.00)  
Black (x 0.91)  
Satin Nickel (x 0.95)

| (A)<br>Distance<br>From<br>Ceiling | 2' From Wall<br>On 2' Centers | 3' From Wall<br>On 2' Centers | 3' From Wall<br>On 3' Centers |
|------------------------------------|-------------------------------|-------------------------------|-------------------------------|
|                                    | □ 2' □                        | □ 2' □                        | □ 3' □                        |
| 1'                                 | 10 9 10                       | 1 1 1                         | 1 1 1                         |
| 2'                                 | 40 41 40                      | 17 17 17                      | 12 11 12                      |
| 3'                                 | 30 30 30                      | 25 25 25                      | 18 18 18                      |
| 4'                                 | 19 19 19                      | 20 20 20                      | 15 16 15                      |
| 5'                                 | 12 12 12                      | 15 15 15                      | 11 12 11                      |
| 6'                                 | 8 8 8                         | 10 11 10                      | 8 9 8                         |
| 7'                                 | 6 6 6                         | 7 8 7                         | 6 6 6                         |
| 8'                                 | 4 4 4                         | 5 6 5                         | 5 5 5                         |
| 9'                                 | 3 3 3                         | 4 4 4                         | 4 4 4                         |
| 10'                                | 2.2 2.2 2.2                   | 3.1 3.2 3.1                   | 2.7 2.8 2.7                   |
| 11'                                | 1.7 1.7 1.7                   | 2.4 2.5 2.4                   | 2.2 2.2 2.2                   |
| 12'                                | 1.3 1.3 1.3                   | 1.9 1.9 1.9                   | 1.7 1.8 1.7                   |

Example: Two luminaires located 2' from wall and spaced 2' on center, the illumination on the wall 3' down from ceiling will be 11fc beneath units and 12fc between units



## LC4L4 / LD4WR309-SFW

REPORT #: 20210315-2.102

Watts: 14  
Lumens: 1100  
LPW: 78.57  
CCT: 3000K

**TRIM FINISH MULTIPLIERS:**

White (x 1.00)  
Black (x 0.91)  
Satin Nickel (x 0.95)

| (A)<br>Distance<br>From<br>Ceiling | 2' From Wall<br>On 2' Centers | 3' From Wall<br>On 2' Centers | 3' From Wall<br>On 3' Centers |
|------------------------------------|-------------------------------|-------------------------------|-------------------------------|
|                                    | □ 2' □                        | □ 2' □                        | □ 3' □                        |
| 1'                                 | 12 11 12                      | 1 1 1                         | 1 1 1                         |
| 2'                                 | 50 50 50                      | 20 21 20                      | 15 13 15                      |
| 3'                                 | 36 37 36                      | 30 31 30                      | 22 22 22                      |
| 4'                                 | 23 24 23                      | 25 25 25                      | 18 19 18                      |
| 5'                                 | 15 15 15                      | 18 18 18                      | 14 14 14                      |
| 6'                                 | 10 10 10                      | 13 13 13                      | 10 11 10                      |
| 7'                                 | 7 7 7                         | 9 9 9                         | 8 8 8                         |
| 8'                                 | 5 5 5                         | 7 7 7                         | 6 6 6                         |
| 9'                                 | 4 4 4                         | 5 5 5                         | 4 4 4                         |
| 10'                                | 2.6 2.7 2.6                   | 3.8 4 3.8                     | 3.4 3.4 3.4                   |
| 11'                                | 2.0 2.1 2.0                   | 3.0 3 3.0                     | 2.7 2.7 2.7                   |
| 12'                                | 1.6 1.6 1.6                   | 2.4 2.4 2.4                   | 2.1 2.2 2.1                   |

Example: Two luminaires located 2' from wall and spaced 2' on center, the illumination on the wall 3' down from ceiling will be 11fc beneath units and 12fc between units

