

LD4 / LD4W

4" LD Wall Wash - Non-IC Flat Frame

JOB NAME		CATALOG NUMBER	
NOTES		TYPE	

ELECTRICAL DATA

LED Light Engine	System Wattage *	CCT / CRI	Nominal Delivered Lumens **	
			Round	Square
L05	5W	3000K / 90 CRI	350lm	300lm
L0	9W	3000K / 90 CRI	600lm	600lm
L1	11W	3000K / 90 CRI	800lm	800lm
L2	17W	3000K / 90 CRI	1250lm	1200lm

*System Wattage includes driver & LED Module consumption / **Delivered Lumen output will vary depending on CCT, CRI & finish

FEATURES

- Lutron and enhanced 0-10V dimming options
- Single housing design accepts both round and square trims

LED LIGHT ENGINE

- 90 CRI in 2700K, 3000K, 3500K or 4000K
- 2 SDCM (2-Step MacAdam)
- 50,000 hours L70 (rated life at 70% output)

ELECTRICAL SYSTEM

- Dedicated voltage options of 120V or 277V. Must be specified in catalog code
- This product complies with IEEE C62.41 for surge endurance up to 2.5KV
- Additional surge protection recommended
- Damage from power surge is not covered by warranty

HOUSING

- 16 & 18 gauge galvanized steel construction
- UL 1598 listed for damp locations

DIMMING

- Forward/reverse phase dimming (120V only)
- 0-10V 1% Dimming
- EldoLED SOLDrive 0-10V 0.1%
- EldoLED ECDriver 0-10V 1%
- Lutron® LDE1 Hi-Lume 1% EcoSystem LED driver with Soft-on, Fade-to-Black dimming technology

TRIM ASSEMBLY

- Die-cast trim and heat sink assembly with quick connect for easy installation.
- High optical transparency diffusion lens
- Wet location listed

INSTALLATION

- Non-IC; insulation should be kept minimum 3" away from all sides of fixture
- Fixture includes adjustable bar hangers (14"-24") for wood joist or t-bar ceiling installations
- Accommodates ceilings with a 1/2" to 1-1/2" thickness
- Maximum ambient temperature 35°C (95°F)

EMERGENCY

- EM option mounted nearby the fixture above ceiling

[IOTA PC8 diagram](#)

[IOTA ILB-CP instruction Manual](#)

LISTING

- 5-Year Intense LED Limited Warranty
- Trim Assembly: ETL listed to US & Canadian standards for wet location
- ENERGY STAR® Qualified (White reflectors only; Excludes: 2700K/90CRI, eldoLED & Lutron® options)



LD4WR



LD4WS

Ceiling Cut Out: 4 5/16" octagonal. Maximum Ceiling Thickness: 1 1/2"

Frame-In Part Number (Example: LD4NCL05DIM)

Frame-In	Type	Wattage	Dimming	Voltage	Options
LD4 (LD 4" Flat Frame)	NC (New Construction Non-IC)	L05 ¹ (5W)	DIM ² (Phase Dimming 5%)	blank (120V)	EM7 ³ 7W EM Backup
		L0 (9W)	D101 (0-10V Dimming 1%)	27 (277V)	
		L1 (11W)	ED10V1 (eldoLED 0-10V 1%)		
		L2 (17W)	ED10V01 (eldoLED 0-10V 0.1%)		
			LUT (Lutron® LDE1 EcoSystem 1%)		

Trim Assembly Part Number (Example: LDRWR279W-SF)

Trim	CCT/CRI	Finish
LD4WR (4" Wall Wash Round)	279 (2700K/90 CRI)	W-SF (White / Self-Flanged)
LD4WS (4" Wall Wash Square)	309 (3000K/90 CRI)	B-SF (Black / Self-Flanged)
	359 (3500K/90 CRI)	SN-SFW (Satin Nickel / Self-Flanged White)
	409 (4000K/90 CRI)	

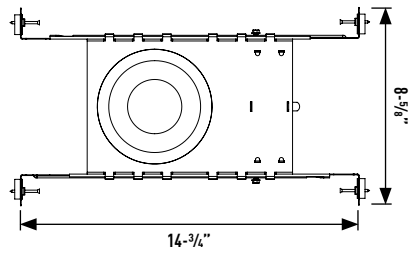
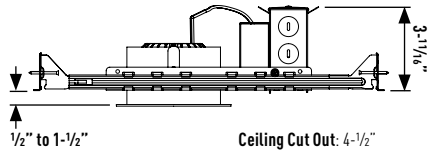
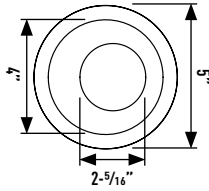
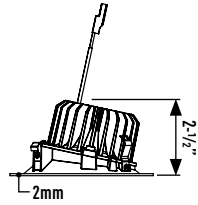
- Note:**
1. L05 available w/ DIM only
 2. Available in 120V only
 3. EM7 not available w/ L05

LD4 / LD4W

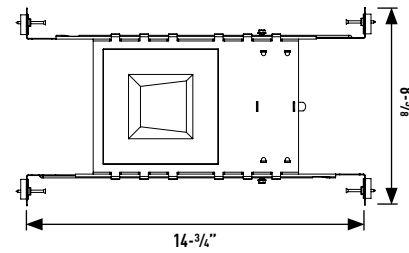
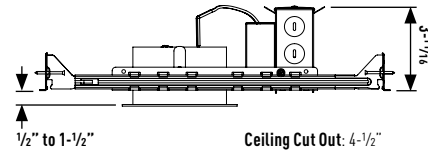
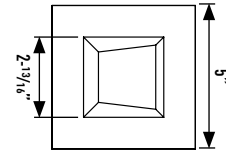
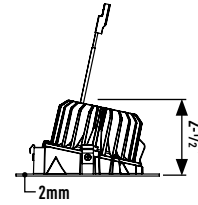
4" Wall Wash - Non-IC Flat Frame

JOB NAME		CATALOG NUMBER	
NOTES		TYPE	

LD4WR



LD4WS



0-10V DIMMING ELECTRICAL TABLE

Lumen Package	Voltage	Wattage	VA	Input Current	Power Factor
L05	120V	-	-	-	-
	277V	-	-	-	-
L0	120V	9.2W	9.85	0.08	0.93
	277V	10.28W	13.79	0.05	0.75
L1	120V	11.46W	11.90	0.10	0.96
	277V	12.59W	16.43	0.06	0.77
L2	120V	16.95W	17.36	0.14	0.98
	277V	18.28W	20.99	0.08	0.87

PHASE DIMMING ELECTRICAL TABLE

Lumen Package	Voltage	Wattage	VA	Input Current	Power Factor
L05	120V	5.07W	5.16	0.04	0.98
	277V	-	-	-	-
L0	120V	7.87W	7.92	0.07	0.99
	277V	9.32W	10.48	0.04	0.89
L1	120V	10.74W	10.81	0.09	0.99
	277V	11.9W	12.9	0.05	0.92
L2	120V	16.93W	17.26	0.14	0.98
	277V	17.77W	19.15	0.07	0.93

LD4 / LD4W

4" Wall Wash - Non-IC Flat Frame

JOB NAME		CATALOG NUMBER	
NOTES		TYPE	

LD4NCL05 / LD4WR309W-SF

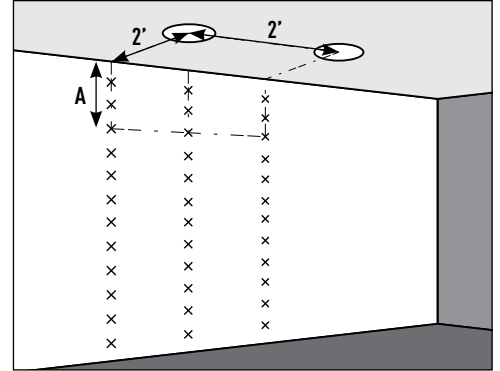
REPORT #: 20201113-2.004

Watts: 5.1
Lumens: 328
LPW: 65
CCT: 3000K

TRIM FINISH MULTIPLIERS:
White (x 1.00)
Black (x 0.77)
Satin Nickel (x 0.88)

(A) Distance From Ceiling	2' From Wall On 2' Centers	3' From Wall On 2' Centers	3' From Wall On 3' Centers
	□ 2' □	□ 2' □	□ 3' □
1'	5 5 5	0.6 0.5 0.6	0.4 0.3 0.4
2'	16 16 16	8 8 8	5 5 5
3'	12 12 12	10 10 10	7 7 7
4'	7 7 7	8 8 8	6 6 6
5'	5 5 5	6 6 6	4 5 4
6'	3 3 3	4 4 4	3 3 3
7'	2 2 2	3 3 3	2 2 2
8'	2 2 2	2 2 2	2 2 2
9'	1 1 1	2 2 2	1 1 1
10'	0.8 0.8 0.8	1 1 1	1 1 1
11'	0.6 0.7 0.6	0.9 1 0.9	0.8 0.9 0.8
12'	0.5 0.2 0.5	0.7 0.8 0.7	0.7 0.7 0.7

Example: Two luminaires located 2' from wall and spaced 2' on center, the illumination on the wall 3' down from ceiling will be 11fc beneath units and 12fc between units



LD4NCL0 / LD4WR309W-SF

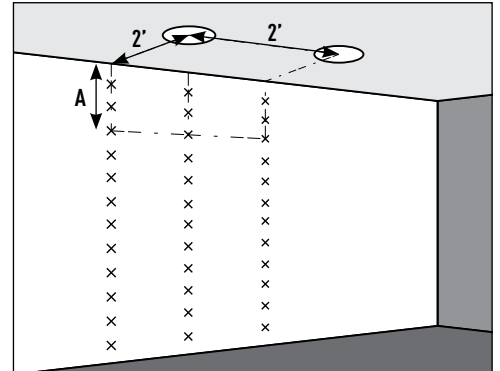
REPORT #: 20201113-2.003

Watts: 9.2
Lumens: 614
LPW: 67
CCT: 3000K

TRIM FINISH MULTIPLIERS:
White (x 1.00)
Black (x 0.77)
Satin Nickel (x 0.88)

(A) Distance From Ceiling	2' From Wall On 2' Centers	3' From Wall On 2' Centers	3' From Wall On 3' Centers
	□ 2' □	□ 2' □	□ 3' □
1'	10 9 10	1 0.9 1	0.8 0.6 0.8
2'	30 31 30	14 14 14	10 10 10
3'	22 22 22	19 19 19	13 14 13
4'	14 14 14	14 15 15	11 11 11
5'	9 9 9	11 10 10	8 8 8
6'	6 6 6	8 8 8	6 6 6
7'	4 4 4	5 6 5	5 5 5
8'	3 3 3	4 4 4	3 3 4
9'	2 2 2	3 3 3	3 3 3
10'	2 2 2	2 2 2	2 2 2
11'	1 1 1	2 2 2	2 2 2
12'	0.9 1 0.9	1 1 1	1 1 1

Example: Two luminaires located 2' from wall and spaced 2' on center, the illumination on the wall 3' down from ceiling will be 11fc beneath units and 12fc between units



LD4NCL1 / LD4WR309W-SF

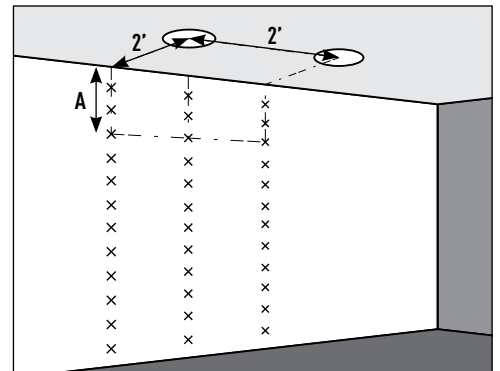
REPORT #: 20201113-2.001

Watts: 11.5
Lumens: 818
LPW: 71
CCT: 3000K

TRIM FINISH MULTIPLIERS:
White (x 1.00)
Black (x 0.77)
Satin Nickel (x 0.88)

(A) Distance From Ceiling	2' From Wall On 2' Centers	3' From Wall On 2' Centers	3' From Wall On 3' Centers
	□ 2' □	□ 2' □	□ 3' □
1'	13 11 13	1 13 1	1 1 1
2'	40 41 40	19 19 19	14 13 14
3'	29 29 29	25 25 25	18 18 18
4'	18 19 18	20 20 20	15 15 15
5'	12 12 12	14 14 14	11 11 11
6'	8 8 8	10 10 10	8 8 8
7'	5 5 5	7 7 7	6 6 6
8'	4 4 4	5 5 5	5 5 5
9'	3 3 3	4 4 4	3 4 3
10'	2 2 2	3 3 3	3 3 3
11'	2 2 2	2 2 2	2 2 2
12'	1 1 1	2 2 2	2 2 2

Example: Two luminaires located 2' from wall and spaced 2' on center, the illumination on the wall 3' down from ceiling will be 11fc beneath units and 12fc between units



LD4 / LD4W

4" Wall Wash - Non-IC Flat Frame

JOB NAME		CATALOG NUMBER	
NOTES		TYPE	

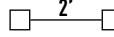
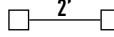
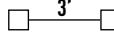
LD4NCL2 / LD4WR309W-SF

REPORT #: 20201113-2.002

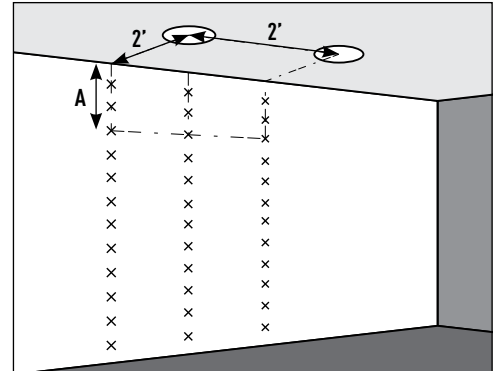
Watts: 17
 Lumens: 1227
 LPW: 72
 CCT: 3000K

TRIM FINISH MULTIPLIERS:

White (x 1.00)
 Black (x 0.77)
 Satin Nickel (x 0.88)

(A) Distance From Ceiling	2' From Wall On 2' Centers	3' From Wall On 2' Centers	3' From Wall On 3' Centers
			
1'	19 17 19	2 2 2	2 1 2
2'	60 61 60	28 39 28	20 19 20
3'	43 44 43	37 38 37	27 27 27
4'	27 38 27	29 30 29	22 23 22
5'	17 18 17	21 22 21	16 27 16
6'	12 12 12	15 15 15	12 12 12
7'	8 8 8	11 11 11	9 9 9
8'	6 6 6	8 8 8	7 7 7
9'	4 4 4	6 6 6	5 5 5
10'	3 3 3	5 5 5	4 4 4
11'	2 2 2	4 4 4	3 3 3
12'	2 2 2	3 3 3	3 3 3

Example: Two luminaires located 2' from wall and spaced 2' on center, the illumination on the wall 3' down from ceiling will be 11fc beneath units and 12fc between units



LD4 / LD4W

4" Wall Wash - Non-IC Flat Frame

JOB NAME		CATALOG NUMBER	
NOTES		TYPE	

LD4NCL05 / LD4WS309W-SF

REPORT #: 20201116-2.004

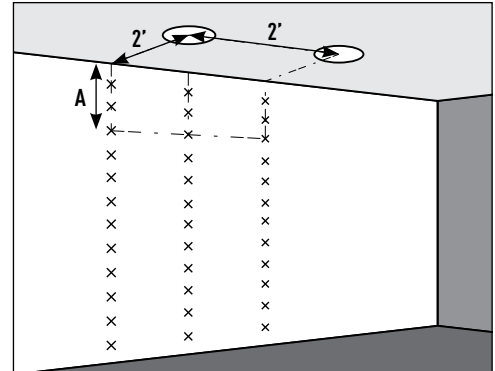
Watts: 5.1
Lumens: 311
LPW: 61
CCT: 3000K

TRIM FINISH MULTIPLIERS:

White (x 1.00)
Black (x 0.83)
Satin Nickel (x 0.92)

(A) Distance From Ceiling	2' From Wall On 2' Centers	3' From Wall On 2' Centers	3' From Wall On 3' Centers
	□ 2' □	□ 2' □	□ 3' □
1'	3 3 3	0.8 0.8 0.8	0.5 0.8 0.5
2'	13 14 13	4 4 4	3 3 3
3'	11 11 11	8 8 8	6 6 6
4'	7 7 7	8 8 8	6 6 6
5'	5 5 5	6 6 6	4 4 4
6'	3 3 3	4 4 4	3 3 3
7'	2 2 2	3 3 3	2 2 2
8'	2 2 2	2 2 2	2 2 2
9'	1 1 1	2 2 2	1 1 1
10'	0.8 0.9 0.8	1 1 1	1 1 1
11'	0.6 0.7 0.6	0.9 0.9 0.9	0.8 0.9 0.8
12'	0.5 0.5 0.5	0.7 0.7 0.7	0.7 0.7 0.7

Example: Two luminaires located 2' from wall and spaced 2' on center, the illumination on the wall 3' down from ceiling will be 11fc beneath units and 12fc between units



LD4NCL0 / LD4WS309W-SF

REPORT #: 20201113-2.003

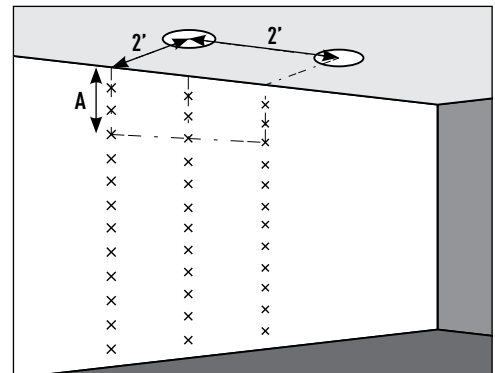
Watts: 9.2
Lumens: 584
LPW: 63
CCT: 3000K

TRIM FINISH MULTIPLIERS:

White (x 1.00)
Black (x 0.83)
Satin Nickel (x 0.92)

(A) Distance From Ceiling	2' From Wall On 2' Centers	3' From Wall On 2' Centers	3' From Wall On 3' Centers
	□ 2' □	□ 2' □	□ 3' □
1'	10 9 10	1 0.9 1	0.8 0.6 0.8
2'	30 31 30	14 14 14	10 10 10
3'	22 22 22	19 19 19	13 14 13
4'	14 14 14	14 15 15	11 11 11
5'	9 9 9	11 10 10	8 8 8
6'	6 6 6	8 8 8	6 6 6
7'	4 4 4	5 6 5	5 5 5
8'	3 3 3	4 4 4	3 3 4
9'	2 2 2	3 3 3	3 3 3
10'	2 2 2	2 2 2	2 2 2
11'	1 1 1	2 2 2	2 2 2
12'	0.9 1 0.9	1 1 1	1 1 1

Example: Two luminaires located 2' from wall and spaced 2' on center, the illumination on the wall 3' down from ceiling will be 11fc beneath units and 12fc between units



LD4NCL1 / LD4WS309W-SF

REPORT #: 20201116-2.003

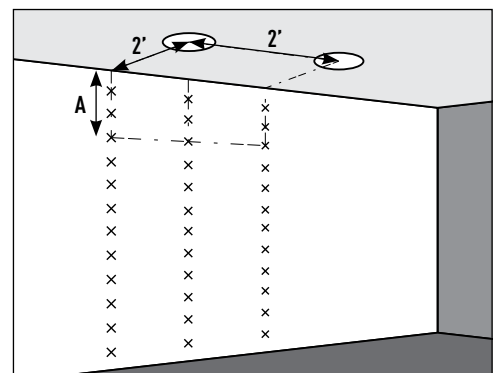
Watts: 11.5
Lumens: 787
LPW: 68
CCT: 3000K

TRIM FINISH MULTIPLIERS:

White (x 1.00)
Black (x 0.83)
Satin Nickel (x 0.92)

(A) Distance From Ceiling	2' From Wall On 2' Centers	3' From Wall On 2' Centers	3' From Wall On 3' Centers
	□ 2' □	□ 2' □	□ 3' □
1'	6 6 6	1 1 1	1 1 1
2'	25 26 25	8 8 8	5 6 5
3'	21 21 21	16 16 16	11 12 11
4'	13 14 13	14 14 14	10 11 10
5'	9 9 9	10 11 10	8 8 8
6'	6 6 6	7 8 7	6 6 6
7'	4 4 4	5 5 5	4 5 4
8'	3 3 3	4 4 4	3 3 3
9'	2 2 2	3 3 3	3 3 3
10'	2 2 2	2 2 2	2 2 2
11'	1 1 1	2 2 2	2 2 2
12'	1 1 1	1 1 1	1 1 1

Example: Two luminaires located 2' from wall and spaced 2' on center, the illumination on the wall 3' down from ceiling will be 11fc beneath units and 12fc between units



LD4 / LD4W

4" Wall Wash - Non-IC Flat Frame

JOB NAME		CATALOG NUMBER	
NOTES		TYPE	

LD4NCL2 / LD4WS309W-SF

REPORT #: 20201116-2.002

Watts: 17
 Lumens: 1167
 LPW: 69
 CCT: 3000K

TRIM FINISH MULTIPLIERS:

White (x 1.00)
 Black (x 0.83)
 Satin Nickel (x 0.92)

(A) Distance From Ceiling	2' From Wall On 2' Centers	3' From Wall On 2' Centers	3' From Wall On 3' Centers
	□ 2' □	□ 2' □	□ 3' □
1'	12 12 12	3 3 3	2 2 2
2'	50 52 50	15 16 15	11 11 11
3'	41 43 41	31 32 31	22 23 22
4'	27 27 27	28 29 28	21 22 21
5'	17 18 17	21 21 21	16 17 16
6'	11 12 11	15 15 15	12 12 12
7'	8 8 8	11 11 11	9 9 9
8'	6 6 6	8 8 8	7 7 7
9'	4 4 4	6 6 6	5 5 5
10'	3 3 3	5 5 5	4 4 4
11'	2 3 2	4 4 4	3 3 3
12'	2 2 2	3 3 3	3 3 3

Example: Two luminaires located 2' from wall and spaced 2' on center, the illumination on the wall 3' down from ceiling will be 11fc beneath units and 12fc between units

