

# SD4WR / IC437

4" SD LED Wall Wash

JOB NAME		CATALOG NUMBER	
NOTES		TYPE	

## ELECTRICAL DATA

LED Light Engine	System Wattage* @ 120V	CCT	Nominal Delivered Lumens**	Efficacy
L0	8W	3500K	600lm	75 lm/W
L1	10W	3500K	800lm	80 lm/W
L2	14W	3500K	1300lm	93 lm/W
L3	19W	3500K	1700lm	89 lm/W
L4	23W	3500K	2100lm	91 lm/W
L5	28W	3500K	2500lm	93 lm/W
L6	33W	3500K	2900lm	88 lm/W
L7	38W	3500K	3400lm	89 lm/W

\*System Wattage includes driver and LED Module consumption. | \*\*Delivered lumen output will vary depending on CCT selection.

## LED MODULE

- 80/90 CRI at 2700K, 3000K, 3500K, 4000K with 2 SDCM
- 70% lumen maintenance at 50,000 hours
- Performance wall wash provides even illumination

## ELECTRICAL SYSTEM

- Dedicated voltage options of 120V, 277V or 347V must be specified in catalog code.
- Phase dimming available in 120V only
- 347V available with Osram 0-10V 1% Dimming only
- Power factor >.9, 50/60Hz

## EMERGENCY BACKUP

External battery operates LED load of up to 7W at a minimum of 350 lumens for 20 minutes (EM7), or 20W at a minimum of 1000 lumens for 90 minutes (EM20).

## OPTICAL SYSTEM

- Soft diffuse spread lens provides uniform light levels and distribution at up to 4 feet on center
- Reflector available in clear specular, haze or white
- Architectural, discrete polished self flange standard, Optional painted white flange is available

## DIMMING

- 0-10V Dimming 1%
- Phase Dimming 120V only, Forward 1% / Reverse 5%
- EldoLED 0-10V 0.1% or 1%
- Lutron® LDE1 Hi-Lume 1% EcoSystem LED driver with Soft-on, Fade-to-Black dimming technology
- Lutron® LDE5 5-Series EcoSystem LED driver
- DMX512 RDM 0.1%

## intelllect™

- Integrated control system provides occupancy and light level detection, and controls the load directly by the power control module Integrated intelligent fixture controls
- Visit Leviton [intelllect™](#) for more info

## FRAME CONSTRUCTION

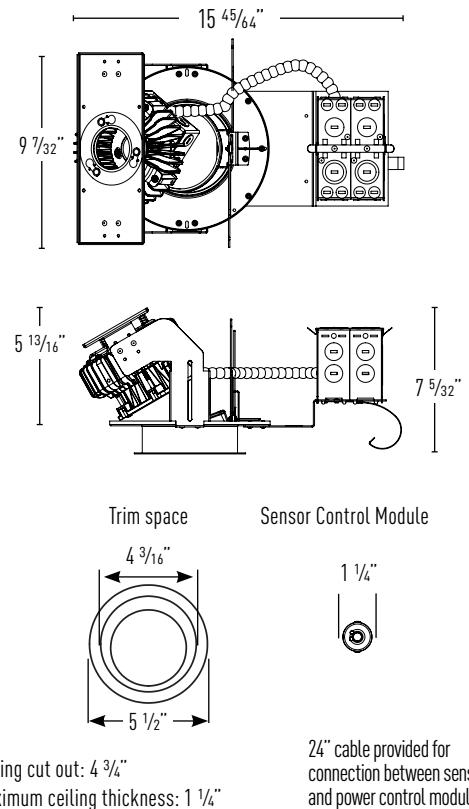
Heavy duty galvanized steel frame with a large access junction box. ETL listed for through wiring. LED light engine and driver are accessible from above or below ceiling.

## INSTALLATION

The luminaire is type Non-IC. Insulation must be kept at a minimum of 3" away from fixture. Universal mounting brackets included. Compatible with C-channel, flat bar, wood joist bar hanger and EMT. Bar hangers must be ordered separately. C-channel is recommended for T-bar ceilings. Maximum ceiling thickness is 1 1/4".

## LISTING/WARRANTY

- ETL listed to US and Canadian standards for damp locations.
- 5-Year Intense LED Limited Warranty
- ENERGY STAR® Qualified<sup>10</sup>



## Housing Part Number (Example: SD4WRL4359-D101EM7)

Housing	LED Module	CCT / CRI	Dimming	Voltage	Options
SD4WR	L0 <sup>1</sup> (8W)	27 (2700K / 80 CRI)	-D101 (Osram 0-10V 1%)	blank (120V)	EM7 (7W Emergency Backup w/ Remote Test Switch <a href="#">IOTA part #ILB-CP07-A</a> )
	L1 (10W)	279 (2700K / 90 CRI)	-IE <sup>3</sup> (Intelllect Wireless 1%)	27 (277V)	
	L2 (14W)	30 (3000K / 80 CRI)	-DIM <sup>4,5</sup> (Phase Dimming)	34 <sup>9</sup> (347V)	EM20 <sup>9</sup> (20W Emergency Backup w/ Remote Test Switch <a href="#">IOTA ILB-CP20-HE-S</a> )
	L3 (19W)	309 (3000K / 90 CRI)	-ED10V1 (eldoLED 0-10V 1%)		
	L4 (23W)	35 (3500K / 80 CRI)	-ED10V01 (eldoLED 0-10V 0.1%)		
	L5 (28W)	359 (3500K / 90 CRI)	-LUT <sup>6</sup> (Lutron® LDE1 EcoSystem 1%)		
	L6 (33W)	40 (4000K / 80 CRI)	-DMXR <sup>7</sup> (DMX512 RDM 0.1%)		
L7 <sup>2</sup> (38W)	409 (4000K / 90 CRI)				

### Notes:

- L0 only available with -D101
- 347V Not available with L7 option
- Intelllect not available with eldoLED, Lutron, Dali or DMX Dimming (Integrated intelllect control system includes sensor and power pack. Keypad Room Controller must be specified separately)
- Not available in L1 & L2
- Not available in 277V
- Lutron not available in L1 & L7
- DMX512 RDM not available in L1 & L2
- 347V only available with Osram 0-10V 1% Dimming
- 20W emergency not available in L1, L2 & L3
- ENERGY STAR® Qualified (0-10V & ELV only. Excludes CCT/CRI options 279, 309 & 359)

## Reflector Part Number (Example: IC437HZ-SF)

Reflector	Reflector Finish	Trim	Accessories
IC437	C (Clear)	-SF (Self-Flanged)	I100 (C-Channel Bar Hangers)
	HZ (Haze)	-SFW (Self-Flanged White)	I200 (Flat Bar Hangers)
	W (White)		I400 (Wood Joist Bar Hangers)

SS-DOWNLIGHTING L/M-053124 P-49

INTENSE LIGHTING | 3340 E La Palma Ave, Anaheim, CA 92806 | tel 714 630-9877 | fax 714 630-9883

For Intense Lighting's limited product warranty, go to [www.intenselighting.com](#). For a printed copy of the warranty, you may call 800 961-5321.

© 2024 Intense Lighting, LLC. All rights reserved. Note: This document is subject to change without notice.

# SD4WR / IC437

4" SD LED Wall Wash

<b>JOB NAME</b>		<b>CATALOG NUMBER</b>	
<b>NOTES</b>		<b>TYPE</b>	

Electrical Table					
Lumen Package	Voltage	Wattage	VA	Input Current	Power Factor
L0	120	7.43	7.99	0.07	0.930
	277	8.41	11.87	0.04	0.709
L1	120	9.75	10.37	0.09	0.94
	277	10.82	14.18	0.05	0.76
L2	120	13.71	14.35	0.12	0.96
	277	14.85	18.06	0.07	0.82
L3	120	18.27	18.54	0.15	0.99
	277	19.77	22.92	0.08	0.86
L4	120	22.74	23.04	0.19	0.99
	277	24.09	27.31	0.10	0.88
L5	120	27.18	27.44	0.23	0.99
	277	28.93	32.00	0.12	0.90
L6	120	32.76	32.84	0.27	1.00
	277	34.09	36.72	0.13	0.93
L7	120	37.71	37.79	0.31	1.00
	277	38.86	41.77	0.15	0.93

# SD4WR / IC437

4" SD LED Wall Wash

JOB NAME		CATALOG NUMBER	
NOTES		TYPE	

# SD4WRL1358 / IC437CR

Test Number: 20180418-2.006

Lumens: 841lm

Watts: 10W

Efficacy: 84.1 lm/w

**CCT MULTIPLIERS:**

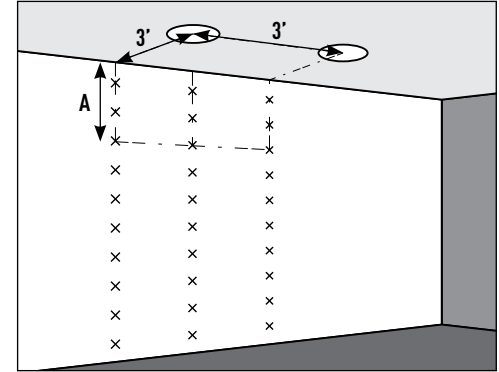
	80 CRI	90 CRI
2700K	(x 0.92)	(x 0.79)
3000K	(x 0.98)	(x 0.79)
3500K	(x 1.00)	(x 0.82)
4000K	(x 1.01)	(x 0.84)

**FINISH MULTIPLIERS:**

Clear	(x 1.00)
Haze	(x 0.96)
White	(x .097)

Distance From Ceiling	2' From Wall On 3' Centers	3' From Wall On 3' Centers	3' From Wall On 4' Centers
	□ 3' □	□ 3' □	□ 4' □
1'	14 3 14	2 2 2	1 2 1
2'	51 35 51	16 12 16	15 7 15
3'	41 39 41	29 27 29	24 19 24
4'	28 28 28	29 29 29	22 21 22
5'	19 19 19	23 23 23	18 18 18
6'	13 13 13	18 18 18	14 14 14
7'	9 9 9	13 13 13	11 11 11
8'	6 6 6	10 10 10	8 8 8
9'	5 5 5	7 7 7	6 6 6
10'	3 3 3	5 6 5	5 5 5
11'	3 3 3	4 4 4	4 4 4
12'	2 2 2	3 3 3	3 3 3
13'	2 2 2	3 3 3	2 2 2
14'	1 1 1	2 2 2	2 2 2

Example: Two luminaires located 3' from wall and spaced 3' on center, the illumination on the wall 3' down from ceiling will be 48fc beneath units and 48fc between units



# SD4WRL2358 / IC437CR

Test Number: 20180418-2.006

Lumens: 1262lm

Watts: 14W

Efficacy: 90.1 lm/w

**CCT MULTIPLIERS:**

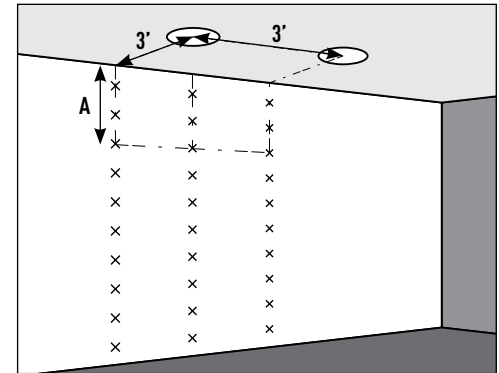
	80 CRI	90 CRI
2700K	(x 0.92)	(x 0.79)
3000K	(x 0.98)	(x 0.79)
3500K	(x 1.00)	(x 0.82)
4000K	(x 1.01)	(x 0.84)

**FINISH MULTIPLIERS:**

Clear	(x 1.00)
Haze	(x 0.96)
White	(x .097)

Distance From Ceiling	2' From Wall On 3' Centers	3' From Wall On 3' Centers	3' From Wall On 4' Centers
	□ 3' □	□ 3' □	□ 4' □
1'	21 5 21	3 3 3	2 2 2
2'	77 52 77	24 18 24	22 10 22
3'	62 58 62	44 41 44	36 28 36
4'	42 41 42	43 42 43	33 31 33
5'	28 28 28	35 35 35	27 26 27
6'	19 19 19	26 26 26	21 21 21
7'	13 14 13	19 20 19	16 16 16
8'	9 10 9	14 15 14	12 12 12
9'	7 7 7	11 11 11	9 9 9
10'	5 5 5	8 8 8	7 7 7
11'	4 4 4	6 6 6	6 6 6
12'	3 3 3	5 5 5	4 5 4
13'	2 2 2	4 4 4	4 4 4
14'	2 2 2	3 3 3	3 3 3

Example: Two luminaires located 3' from wall and spaced 3' on center, the illumination on the wall 3' down from ceiling will be 48fc beneath units and 48fc between units



# SD4WR / IC437

4" SD LED Wall Wash

JOB NAME		CATALOG NUMBER	
NOTES		TYPE	

# SD4WRL3358 / IC437CR

Test Number: 20180418-2.006

Lumens: 1679lm

Watts: 19W

Efficacy: 88.4 lm/w

**CCT MULTIPLIERS:**

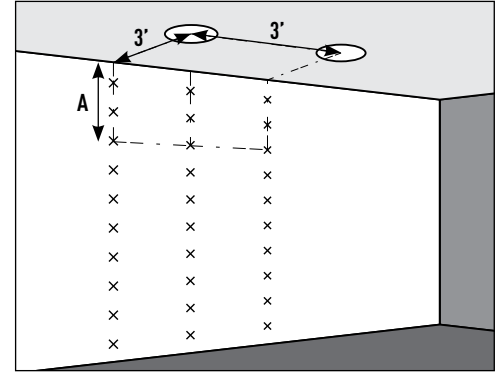
	80 CRI	90 CRI
2700K	(x 0.92)	(x 0.79)
3000K	(x 0.98)	(x 0.79)
3500K	(x 1.00)	(x 0.82)
4000K	(x 1.01)	(x 0.84)

**FINISH MULTIPLIERS:**

Clear	(x 1.00)
Haze	(x 0.96)
White	(x .097)

Distance From Ceiling	2' From Wall On 3' Centers	3' From Wall On 3' Centers	3' From Wall On 4' Centers
	□ 3' □	□ 3' □	□ 4' □
1'	27 7 27	4 4 4	3 3 3
2'	102 70 102	32 24 32	29 14 29
3'	82 77 82	59 54 59	48 38 48
4'	56 55 56	57 56 57	44 41 44
5'	37 37 37	47 46 47	36 35 36
6'	25 26 25	35 35 35	28 27 28
7'	17 18 17	26 26 26	21 21 21
8'	12 13 12	19 20 19	16 16 16
9'	9 9 9	14 15 14	12 12 12
10'	7 7 7	11 11 11	9 10 9
11'	5 5 5	8 9 8	7 8 7
12'	4 4 4	7 7 7	6 6 6
13'	3 3 3	5 5 5	5 5 5
14'	3 3 3	4 4 4	4 4 4

Example: Two luminaires located 3' from wall and spaced 3' on center, the illumination on the wall 3' down from ceiling will be 48fc beneath units and 48fc between units



# SD4WRL4358 / IC437CR

Test Number: 20180418-2.006

Lumens: 2100lm

Watts: 23W

Efficacy: 91.3 lm/w

**CCT MULTIPLIERS:**

	80 CRI	90 CRI
2700K	(x 0.92)	(x 0.79)
3000K	(x 0.98)	(x 0.79)
3500K	(x 1.00)	(x 0.82)
4000K	(x 1.01)	(x 0.84)

**FINISH MULTIPLIERS:**

Clear	(x 1.00)
Haze	(x 0.96)
White	(x .097)

Distance From Ceiling	2' From Wall On 3' Centers	3' From Wall On 3' Centers	3' From Wall On 4' Centers
	□ 3' □	□ 3' □	□ 4' □
1'	34 8 34	5 5 5	3 4 3
2'	128 87 128	39 29 39	36 17 36
3'	102 97 102	73 68 73	60 47 60
4'	70 68 70	72 71 72	56 52 56
5'	47 47 47	58 58 58	45 44 45
6'	31 32 31	44 44 44	35 34 35
7'	22 22 22	32 33 32	26 26 26
8'	15 16 15	24 24 24	20 20 20
9'	11 12 11	18 18 18	15 16 15
10'	8 9 8	14 14 14	12 12 12
11'	6 7 6	11 11 11	9 9 9
12'	5 5 5	8 8 8	7 8 7
13'	4 4 4	7 7 7	6 6 6
14'	3 3 3	5 5 5	5 5 5

Example: Two luminaires located 3' from wall and spaced 3' on center, the illumination on the wall 3' down from ceiling will be 48fc beneath units and 48fc between units

