

SS-EZR

6" or 8" SS/SD Retrofit Mounting System

DESCRIPTION

Unique two-piece retrofit system for easy installation in remodel applications. Designed specifically for SS/SD 6" and 8" remodel luminaires.

FEATURES

- Innovative two-piece design with top and bottom mounting plates
- Folding top plate for easier installation above ceiling
- For SS/SD 6"; extends cut out to between 7.5" and 8.5"
- For SS/SD 8"; extends cut out to between 9.5" and 10.5"

HARDWARE

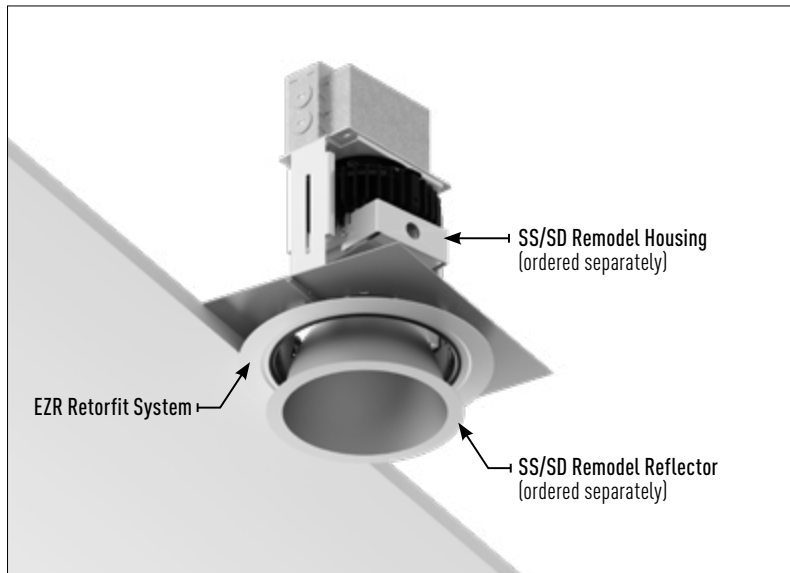
Includes (3) 6-32 wing nuts

CEILING THICKNESS

See remodel luminaire specifications.

CONSTRUCTION

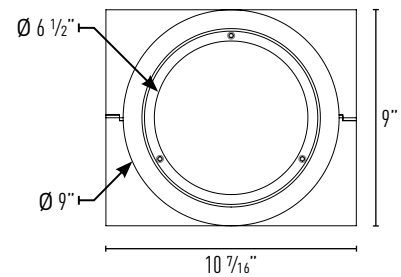
- Durable field paintable white bottom plate
- Cold rolled steel on bottom plate and galvanized steel on top plate



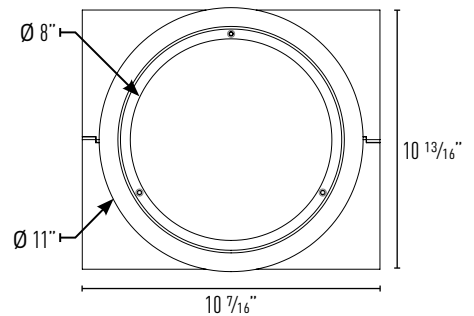
JOB NAME	CATALOG NUMBER
NOTES	TYPE



SS-EZR6DR



SS-EZR8DR



Example: SS-EZR6DR

Retrofit System

SS-EZR6DR (6" SS/SD Retrofit System)

SS-EZR8DR (8" SS/SD Retrofit System)