

# SS4G4DR / IC430

## 4" SS LED Downlight Gen 4

JOB NAME		CATALOG NUMBER	
NOTES		TYPE	

### ELECTRICAL DATA

LED Light Engine	System Wattage *		CCT	Nominal Delivered Lumens **
	120-277V	347V		
L1	9W	9.7W	3500K	1000lm
L2	13W	14.5W	3500K	1500lm
L3	17W	19.5W	3500K	2000lm

\* System Wattage includes driver and LED Module consumption. | \*\* Delivered lumen output will vary depending on CCT selection.

### LED MODULE

- Powered by OSRAM high performance LED engine
- 50,000 hours at 70% lumen maintenance
- 80 CRI at 2700K, 3000K, 3500K, 4000K

### ELECTRICAL SYSTEM

- Universal voltage 120-277V when specified with Osram 0-10V 1% or Intellect options only
- eldoLED, Lutron and DMX Dimming must specify voltage
- Phase dimming available in 120V only
- 347V available with Osram 0-10V 1% Dimming only
- Power factor > .9, 50/60Hz

### EMERGENCY BACKUP

External battery operates LED load of up to 7W at a minimum of 800 lumens for 90 minutes (EM7). Available with remote or integral test switch, must specify.

### OPTICAL SYSTEM

Specification grade reflector with 1.2mm thickness. Architectural, discrete polished self flange standard. Optional painted white flange is available. Meets RP-1 requirements with controlled light distribution at a 55° cut off.

### DIMMING

- 0-10V Dimming 1%
- Forward/Reverse Phase Dimming 1% (120V only)
- eldoLED 0-10V 0.1% or 1%
- Lutron® LDE1 Hi-Lume 1% EcoSystem LED driver with Soft-on, Fade-to-Black dimming technology
- Lutron® LDE5 5-Series EcoSystem LED driver
- DMX512 RDM 0.1%

### INTELLECT™

- Listed on the DesignLights Consortium (DLC) Qualified Product List (QPL) for Networked Lighting Control systems
- Integrated control system provides occupancy and light level detection, and controls the load directly by the power control module Integrated intelligent fixture controls
- Only hot and neutral power required at all devices, no need for control wires
- 12" ceiling height maximum
- 24" cable provided for connection between sensor and power control module
- Keypad Room controller must be specified separately
- Visit Leviton [Intellect™](#) for more info

### FRAME CONSTRUCTION

Heavy duty galvanized steel frame with a large access junction box. ETL listed for through wiring. LED light engine and driver are accessible from above or below ceiling.

### INSTALLATION

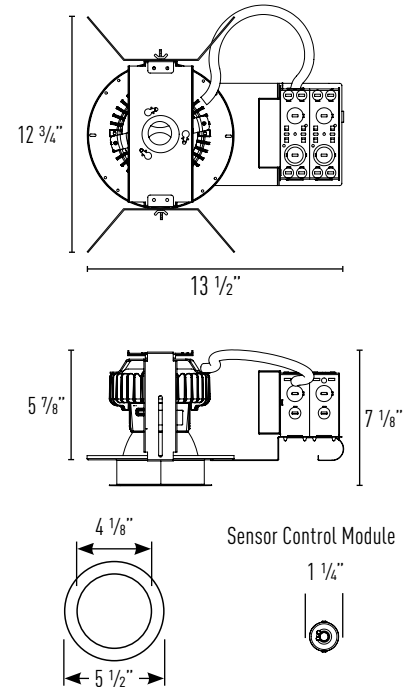
The luminaire is type Non-IC. Insulation must be kept at a minimum of 3" away from fixture. Universal mounting brackets included. Compatible with C-channel, flat bar, wood joist bar hanger and EMT. Bar hangers must be ordered separately. C-channel is recommended for T-bar ceilings. Maximum ceiling thickness is 1 1/4".

### END-OF-LIFE INDICATOR

Optional end-of-life indicator helps the end user to receive a signal from the fixture indicating that it has reached its programmed life-time. After the LED driver reaches the programmed life-time, whenever it is turned ON, it stays at 'Dim' level (10%) for 10 minutes and then reaches its appropriate level.

### LISTING/WARRANTY

- ETL listed to US and Canadian standards for damp locations.
- 5-Year Intense LED Limited Warranty



Ceiling Cut Out: 4 3/4"  
Maximum Ceiling Thickness: 1 1/4"

### Housing Part Number (Example: SS4G4DRL3358)

Housing	LED Module	CCT / CRI	Dimming	Voltage	Options	
SS4G4DR	L1 (9 Watts)	278 (2700K / 80 CRI)	blank (Osram 0-10V 1%)	blank (Universal 120/277V)	EM7 (7W Emergency Backup w/ Remote Test Switch [OTA part #ILB-CP07-A])	
	L2 (13 Watts)	308 (3000K / 80 CRI)	-IE <sup>2</sup> (Intellect Wireless 1%)	34 <sup>4</sup> (347V)		
	L3 (17 Watts)	358 (3500K / 80 CRI)	▼ Not available with universal voltage, must specify blank (120V) or 27 (277V) ▼			EM7T (7W Emergency Unit w/ Integral Test Switch [OTA part #ILB-CP07-R])
		408 (4000K / 80 CRI)	-DIM <sup>2,3</sup> (Phase Dimming)	blank (120V)		
			-ED10V1 (eldoLED 0-10V 1%)	27 (277V)	EOL (End-of-Life Indicator at 50,000 hours)	
			-ED10V01 (eldoLED 0-10V 0.1%)		1100 (C-Channel Bar Hangers)	
			-LUT <sup>4</sup> (Lutron® LDE1 EcoSystem 1%)		1200 (Flat Bar Hangers)	
			-LUT5 <sup>4</sup> (Lutron® LDE5 EcoSystem 5%)		1400 (Wood Joist Bar Hangers)	
			-DMXR <sup>5</sup> (DMX512 RDM 0.1%)			

### Reflector Part Number (Example: IC430HZ-SF)

Reflector	Reflector Finish	Trim	Option
IC430	C (Clear)	-SF (Self-Flanged)	EM7T (Integral Test Switch)
	HZ (Haze)	-SFW (Self-Flanged White)	
	W (White)		

### Notes:

- Intellect not available with eldoLED, Lutron, DALI or DMX Dimming (Integrated intellect control system includes sensor and power keypad Keypad Room Controller must be specified separately)
- Not available in L1 & L2
- Not available in 277V
- Lutron not available in L1
- DMX512 RDM not available in L1 & L2
- 347V only available with Osram 0-10V 1% Dimming

# SS4G4DR / IC430

4" SS LED Downlight Gen 4

JOB NAME		CATALOG NUMBER	
NOTES		TYPE	

## SS4G4DRL1358 / IC430C

Test Number: 20180614-7.001

Lumens: 1015.4lm

Watts: 8.6W

Efficacy: 118 lm/w

Distance to Floor (Feet)	Footcandles at Nadir	Beam Diameter (Feet)
6'	22.8fc	6' 6"
8'	12.8fc	8' 8"
10'	8.2fc	11'
12'	5.7fc	13' 2"

### Candela Distribution

Angle	Candela
0°	821
5°	828
15°	874
25°	834
35°	455
45°	50

### Zonal Lumen Summary

Zone	Lumens	%Fixture
0-30	703	69
0-40	963	95
0-60	1,013	100
60-90	3	.3
0-90	1,015	100

### L1 LED Module - CCT Multipliers:

2700K (x 1.00), 3000K (x 1.00), 3500K (x 1.00), 4000K (x 1.08)

## SS4G4DRL2358 / IC430C

Test Number: 20180614-7.002

Lumens: 1521.1lm

Watts: 12.8W

Efficacy: 119 lm/w

Distance to Floor (Feet)	Footcandles at Nadir	Beam Diameter (Feet)
6'	34.2fc	6' 6"
8'	19.2fc	8' 8"
10'	12.3fc	11'
12'	8.55fc	13' 2"

### Candela Distribution

Angle	Candela
0°	123
5°	1241
15°	130
25°	1248
35°	636
45°	74

### Zonal Lumen Summary

Zone	Lumens	%Fixture
0-30	1,053	69
0-40	1,443	95
0-60	1,517	100
60-90	4	.3
0-90	1,521	100

### L2 LED Module - CCT Multipliers:

2700K (x 0.95), 3000K (x 0.97), 3500K (x 1.00), 4000K (x 1.03)

## SS4G4DRL3358 / IC430C

Test Number: 20180614-7.003

Lumens: 2026.7lm

Watts: 17.2

Efficacy: 118 lm/w

Distance to Floor (Feet)	Footcandles at Nadir	Beam Diameter (Feet)
6'	45.5fc	6' 6"
8'	25.6fc	8' 8"
10'	16.4fc	11'
12'	11.4fc	13' 2"

### Candela Distribution

Angle	Candela
0°	1640
5°	1653
15°	1744
25°	1663
35°	847
45°	100

### Zonal Lumen Summary

Zone	Lumens	%Fixture
0-30	1,403	69
0-40	1,923	95
0-60	2,021	100
60-90	5.7	.3
0-90	2,026	100

### L3 LED Module - CCT Multipliers:

2700K (x 0.97), 3000K (x 0.97), 3500K (x 1.00), 4000K (x 1.03)