

Pulse Control 0-10V Dimming (120V) Track

ICT4 / ICT8 / ICT12

JOB NAME		CATALOG NUMBER	
NOTES		TYPE	

DESCRIPTION

Pulse Control Track provides a specification grade track platform for mounting high quality fixtures. The heavy duty extruded aluminum profile is ideal for demanding applications where numerous and/or heavy fixtures are needed. This phase track gives you your standard 120V connection for 3 circuit/ 1 neutral. Maximum control and reduced energy costs make Pulse Track an excellent choice.

Pulse Control Track is engineered to be durable, dependable, and simple-to-install lighting solution. The track's extruded aluminum construction and continuously crimped conductor ensure mechanical strength and electrical reliability. The integral suspension rail and predrilled mounting holes of the track simplify installations.

FEATURES

- High quality, Low profile, easy and flexible installation
- For use with specified Intense track luminaires
- Dimming feature available, see track luminaire for compatibility

ELECTRICAL

- Voltage: 120V 60Hz
- Amperage: 20A Max. / 2400W each.

DIMMING

- Dimming must be specified by track luminaire
- 0-10V is shared and the three circuits are not individually dimmable

CONSTRUCTION

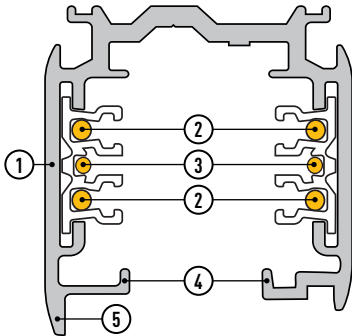
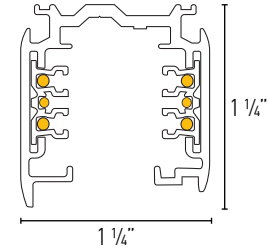
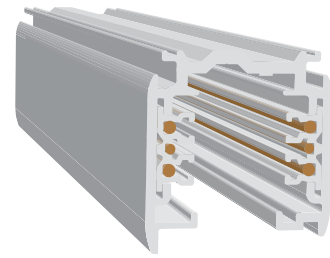
- Architectural grade extruded aluminum
- Polarity ridge is located on face of track to indicate position of track adapters
- Available in white, black or silver
- Field cuttable to desired lengths

MOUNTING OPTIONS

Track can be surface or mounted to T-bar grid

LISTING/WARRANTY

- NRTL Listed to UL 1574 / CSA C22.2 No. 9.0-96
- One (1) Year Limited Warranty



1. Quality Construction

- ISO 9001
- Rigid aluminum profile
- High quality powder coat finish
- Curved Track Available

2. Oversized Conductors

- For higher operating safety and reduced overload potential
- 3 Circuit Control Allows energy savings: Certain lights can be dimmed or shut off while others illuminate products
- Enhanced merchandising: Attention can be focused on select products

3. 0-10V Conductors

- Used for 0-10V connection (0-10V is shared and the three circuits are not individually dimmable)

4. Separate Mechanical Suspension Points

- Superior weight bearing capacity
- Integrity of electrical contacts is maintained, preventing arcing and extending the life of fixtures and lamps

5. Raised Ridge

- This track is polarized and therefore direction sensitive, so care must be taken when selecting the connecting pieces
- The raised ridge on one side of the track ensures proper polarity connection

Part Number (Example: ICT4W)

Track Length	Finish
ICT4 (4-Foot Track)	W (White)
ICT8 (8-Foot Track)	B (Black)
ICT12 (12-Foot Track)	SV (Silver)

SPECIFICATION SHEET LM-019-24P-1

INTENSE LIGHTING | 3340 E La Palma Ave, Anaheim, CA 92806 | tel 714 630-9877 | fax 714 630-9883

For Intense Lighting's limited product warranty, go to www.intenselight.com. For a printed copy of the warranty, you may call 800 961-5321.

© 2024 Intense Lighting, LLC. All rights reserved. Note: This document is subject to change without notice.

Pulse Control 0-10V Dimming (120V) Track

Accessories & Mounting Options

JOB NAME		CATALOG NUMBER	
NOTES		TYPE	



Live End Feed Connector

Power feed added to end of track run.
Adds 3 1/4" to the start of a run.

Part Number		Finish
ICT301	(Live End Feed)	W (White)
ICT301R	(Reversed Polarity Live End Feed)	B (Black)
		SV (Silver)



Straight Feed Connector

To connect two track sections end-to-end. Can be used as a power feed.

Part Number		Finish
ICT303	(Straight Feed)	W (White)
		B (Black)
		SV (Silver)



"L" Connector

To connect two track sections in a 90° "L" shape. Can be used as a power feed.

Part Number		Finish
ICT306A	(Inside Polarity)	W (White)
ICT306B	(Outside Polarity)	B (Black)
		SV (Silver)



"T" Connector

To connect three track sections in a "T" shape. Can be used as a power feed.

Part Number		Finish
ICT304A	(Inside Left Polarity)	W (White)
ICT304B	(Outside Left Polarity)	B (Black)
ICT305A	(Inside Right Polarity)	SV (Silver)
ICT305B	(Outside Right Polarity)	



"X" Connector

To connect four track sections in a "X" shape. Can be used as a power feed.

Part Number		Finish
ICT307	("X" Connector)	W (White)
		B (Black)
		SV (Silver)



Linear Coupler Connector

To join two track sections end-to-end.
Adds no length to track run.

Part Number		Finish
ICT308	(Linear Coupler)	W (White)
		B (Black)
		SV (Silver)



Dead End

Mounts to the end of track section.

Part Number		Finish
ICT313	(Dead End)	W (White)
		B (Black)
		SV (Silver)

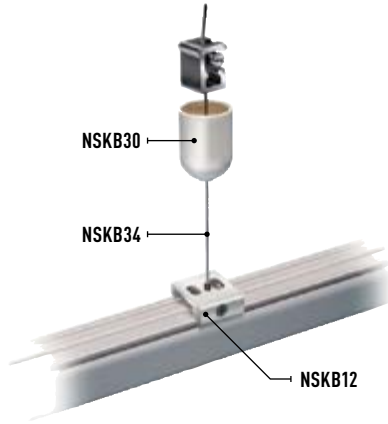
Pulse Control 0-10V Dimming (120V) Track

Accessories & Mounting Options

JOB NAME		CATALOG NUMBER	
NOTES		TYPE	

CABLE MOUNT

Must order ceiling cups, suspension cable and mounting brackets separately.



Ceiling Cup

For cable or threaded rod

- NSKB30-P (White)
- NSKB30-B (Black)
- NSKB30-S (Silver)

Suspension Cable

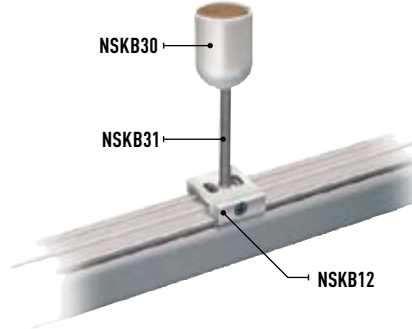
- NSKB34 (5' Cable)
- NSKB34/3M (9' Cable)

Mounting Bracket

- NSKB12-P (White)
- NSKB12-B (Black)
- NSKB12-S (Silver)

THREADED ROD MOUNT

Must order ceiling cups, suspension cable and mounting brackets separately.



Ceiling Cup

For cable or threaded rod

- NSKB30-P (White)
- NSKB30-B (Black)
- NSKB30-S (Silver)

Threaded Rod

1/4" Dia., 6' Length.
UNLook Finish.

- NSKB31 (6' Rod)

Mounting Bracket

- NSKB12-P (White)
- NSKB12-B (Black)
- NSKB12-S (Silver)

STEM MOUNT

Must order canopies, stems and stem suspension points separately.



Stem & Canopy Kit

Stem Diameter: 3/8"

Canopy Diameter: 5" / Height: 1 1/2"

Part Number	Finish
NSPUS12 (12-Inch Stem Kit)	-P (White)
NSPUS18 (18-Inch Stem Kit)	-B (Black)
NSPUS24 (24-Inch Stem Kit)	
NSPUS48 (48-Inch Stem Kit)	

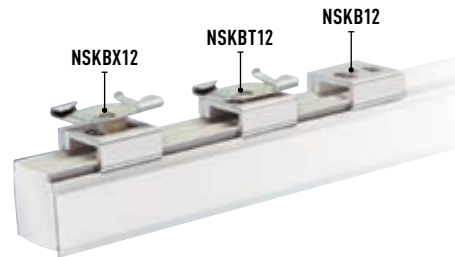
Stem Suspension Point

Includes bracket and cover. Stem not included.

- NSP4P-P (White)
- NSP4P-B (Black)
- NSP4P-S (Silver)

T-BAR MOUNT

Must order T-Bar clamps and mounting brackets separately.



T-Bar Ceiling Clamp

- NSKBT12-P (White)
- NSKBT12-B (Black)
- NSKBT12-S (Silver)

Recessed T-Bar Ceiling Clamp

- NSKBX12-P (White)
- NSKBX12-B (Black)
- NSKBX12-S (Silver)

Mounting Bracket

- NSKB12-P (White)
- NSKB12-B (Black)
- NSKB12-S (Silver)