

# XS2 / XS2T-ART200

## 2" XS LED Adjustable Downlight

JOB NAME		CATALOG NUMBER	
NOTES		TYPE	

### ELECTRICAL DATA

LED Light Engine	Nominal Delivered Lumens*	System Wattage**
L1	800lm @ 3000K / 82 CRI	10 Watts

\* Delivered lumens will vary depending on CCT, CRI, optic and finish.

\*\* System Wattage include driver and LED Module consumption.

### FEATURES

- Single modular platform
- 2 Step MacAdam Ellipse binning (2 SDCM) ensures color consistency across luminaires
- Die-cast aluminum trims in architectural grade finishes
- Field changeable TIR optics in 18°, 24° & 36°

### LED LIGHT ENGINE

- High quality LED with 2 SDCM binning
- 82 CRI in 2700K, 3000K, 3500K or 4000K
- 92 CRI in 2700K
- 50,000 hours L70 (rated life at 70% output)

### ELECTRICAL SYSTEM

- 0-10V 1% or ELV reverse/forward phase dimming
- 120V or 277V input; Power factor >.9, 50/60Hz
- This product complies with IEEE C62.41 for surge endurance up to 2.5KV. Additional surge protection recommended. Damage from power surge is not covered by warranty.

### DIMMING

- Forward/Reverse phase and 0-10V dimming options available via single driver option
- Forward/ reverse phase dimming -120V only
- 0-10V 1% dimming

### HOUSING

- Remodel style housing made from 20 gauge zinc plated cold rolled steel
- Standard 1/2" collar accommodates up to 1" ceiling thickness
- Extended collar options available for field installation up to 2-inch ceiling thickness
- For new construction, plaster frame XS2-NCFR (see below for details) is recommended

### TRIM ASSEMBLY

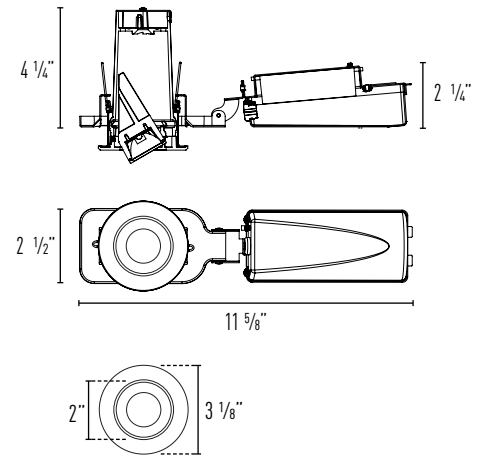
- Adjustable trim provides 30° vertical and 360° horizontal aiming
- High quality die-cast aluminum trim with durable powder coat finish

### INSTALLATION

Housing types include IC Air-Tight or Non-IC Rated (must specify). Non-IC rated housings must be kept at a minimum of 3" away from insulation.

### LISTING

- (-IC Only) ETL listed for direct contact w/insulation
- 5-Year Intense LED Limited Warranty
- Can be used to comply with 2016 Title 24-Part 6 High Efficacy LED Light Source Requirements
- ETL Listed to US and Canadian standards for damp locations



Ceiling Cut Out: 2 11/16" (Round Diameter)

### Driver Assembly Part Number (Example: XS2-NCL1)

Driver Assembly	Installation Type	Wattage	Dimming	Voltage
XS2	-NC (Non-IC)	L1 (10 Watts)	blank (Phase / 0-10V) <sup>1</sup>	blank (120V)
	-IC (Air-Tight IC)			27 <sup>1</sup> (277V)

### Trim Assembly Part Number (Example: XS2T-ART200W-SF30NF)

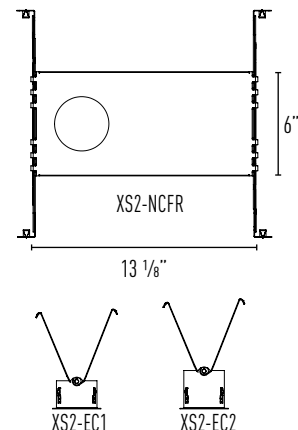
Trim Assembly	Trim Finish	CCT / CRI	Optic
XS2T-ART200	W-SF (White / Self Flanged)	27 (2700K / 82 CRI)	SP (18° Spot)
	B-SF (Black / Self Flanged)	279 (2700K / 92 CRI)	NF (24° Narrow Flood)
	AB-SF (Antique Bronze / Self Flanged)	30 (3000K / 82 CRI)	FL (36° Flood)
		35 (3500K / 82 CRI)	
		40 (4100K / 82 CRI)	

### Notes:

- 277V not available with phase dimming
- Excludes: 82 CRI Options

### Accessories (Must be ordered separately)

- XS2-NCFR** New construction flat frame w/bar hangers
- XS2-EC1** Extended collar for thick ceiling 1 - 1 1/2"
- XS2-EC2** Extended collar for thick ceiling 1 1/2" - 2"



# XS2 / XS2T-ART200

2" XS LED Adjustable Downlight

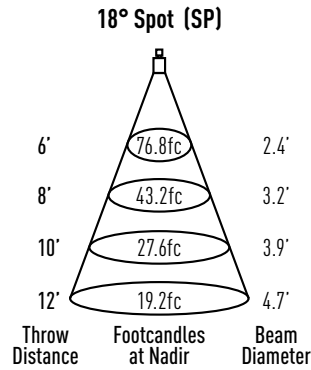
JOB NAME		CATALOG NUMBER	
NOTES		TYPE	

## XS2-NCL1 / XS2T-ART200W-SF30

Report #: ILL-20170510-01 (SP)  
 ILL-20170510-02 (NF)  
 ILL-20170510-03 (FL)

### CCT / CRI Multipliers:

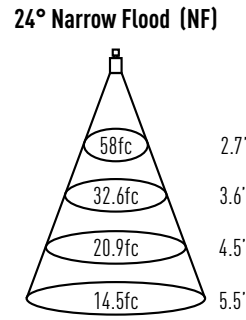
2700K / 82 CRI (x 0.93)  
 2700K / 92 CRI (x 0.75)  
 3000K / 82 CRI (x 1.00)  
 3500K / 82 CRI (x 1.00)  
 4000K / 82 CRI (x 1.00)



Watts: 10  
 Lumens: 765  
 LPW: 77  
 CCT: 3000K

### Candelas at Nadir

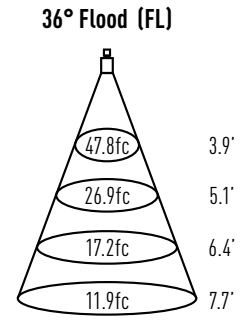
Degree	CBCP
0°	2763
5°	2452
15°	712
25°	206
35°	136
45°	93



Watts: 10  
 Lumens: 759  
 LPW: 76  
 CCT: 3000K

### Candelas at Nadir

Degree	CBCP
0°	2087
5°	1882
15°	814
25°	236
35°	135
45°	87



Watts: 10  
 Lumens: 796  
 LPW: 80  
 CCT: 3000K

### Candelas at Nadir

Degree	CBCP
0°	1730
5°	1641
15°	1049
25°	416
35°	109
45°	35