

# XS2 / XS2T-WRT202

2" XS LED Wall Wash

JOB NAME		CATALOG NUMBER	
NOTES		TYPE	

## ELECTRICAL DATA

LED Light Engine	Nominal Delivered Lumens*	System Wattage**
L1	650lm @ 3000K / 82 CRI	10 Watts
L2	1000lm @ 3000K / 82 CRI	15 Watts

\* Delivered lumens will vary depending on CCT, CRI, optic and finish.

\*\* System Wattage include driver and LED Module consumption.

## FEATURES

- Single modular platform
- 2 Step MacAdam Ellipse binning (2 SDCM) ensures color consistency across luminaires
- Die-cast aluminum trims in architectural grade finishes
- Interchangeable round and square trims

## LED LIGHT ENGINE

- High quality LED with 2 SDCM binning
- 82 CRI in 2700K, 3000K, 3500K or 4000K
- 92 CRI in 2700K
- 50,000 hours L70 (rated life at 70% output)

## ELECTRICAL SYSTEM

- 0-10V 1% or ELV reverse/forward phase dimming
- 120V or 277V input; Power factor >.9, 50/60Hz
- This product complies with IEEE C62.41 for surge endurance up to 2.5KV. Additional surge protection recommended. Damage from power surge is not covered by warranty.

## DIMMING

- Forward/Reverse phase and 0-10V dimming options available via single driver option
- Forward/ reverse phase dimming -120V only
- 0-10V 1% dimming

## HOUSING

- Remodel style housing made from 20 gauge nickel plated cold rolled steel.
- Standard 1/2" collar accommodates up to 1" ceiling thickness
- Extended collar options available for field installation up to 2-inch ceiling thickness
- For new construction, plaster frame XS2-NCFR (see below for details) is recommended.

## TRIM ASSEMBLY

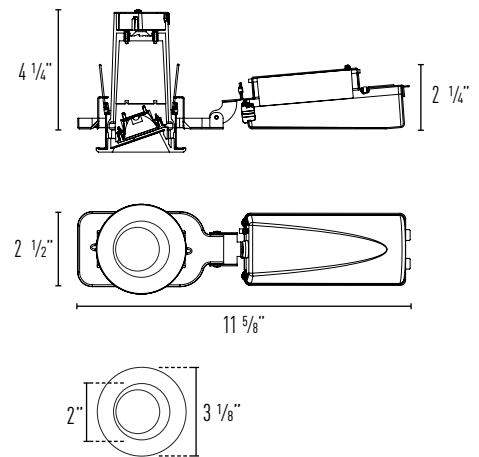
- Wall wash optic with asymmetric distribution provides uniform vertical illumination.
- High quality die-cast aluminum trim with durable powder coat available in multiple finishes.

## INSTALLATION

Housing types include IC Air-Tight or Non-IC Rated (must specify). Non-IC rated housings must be kept at a minimum of 3" away from insulation.

## LISTING

- Driver Assembly: ETL listed to US and Canadian standards for damp location
- Trim Assembly: ETL listed to US and Canadian standards for wet location
- (-IC Only) ETL listed for direct contact w/insulation
- 5-Year Intense LED Limited Warranty
- Can be used to comply with 2016 Title 24-Part 6 High Efficacy LED Light Source Requirements



Ceiling Cut Out: 2 1/16" (Round Diameter)

## Driver Assembly Part Number (Example: XS2-NCL1)

Driver Assembly	Installation Type	Wattage	Dimming	Voltage
XS2	-NC (Non-IC)	L1 (10 Watts)	blank (Phase / 0-10V) <sup>2</sup>	blank (120V)
	-IC (Air-Tight IC)	L2 (15 Watts) <sup>1</sup>		27 <sup>2</sup> (277V)

## Trim Assembly Part Number (Example: XS2T-WRT202W-SF30)

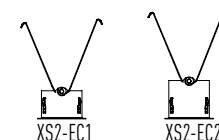
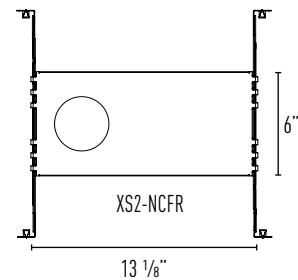
Trim Assembly	Trim Finish	CCT / CRI
XS2T-WRT202	W-SF (White / Self Flanged)	27 (2700K / 82 CRI)
	B-SF (Black / Self Flanged)	279 (2700K / 92 CRI)
	AB-SF (Antique Bronze / Self Flanged)	30 (3000K / 82 CRI)
		35 (3500K / 82 CRI)
		40 (4100K / 82 CRI)

## Notes:

- L2 lumen package available in Non-IC only
- 277V not available with phase dimming
- Excludes: 82 CRI Options

## Accessories (Must be ordered separately)

- XS2-NCFR** New construction flat frame w/bar hangers
- XS2-EC1** Extended collar for thick ceiling 1 - 1 1/2"
- XS2-EC2** Extended collar for thick ceiling 1 1/2" - 2"



XS-DOWNLIGHTING LJM-092123 P-9

INTENSE LIGHTING | 3340 E La Palma Ave, Anaheim, CA 92806 | tel 714 630-9877 | fax 714 630-9883

For Intense Lighting's limited product warranty, go to [www.intenselighting.com](http://www.intenselighting.com). For a printed copy of the warranty, you may call 800 961-5321.

© 2023 Intense Lighting, LLC. All rights reserved. Note: This document is subject to change without notice.

# XS2 / XS2T-WRT202

2" XS LED Wall Wash

JOB NAME		CATALOG NUMBER	
NOTES		TYPE	

## XS2-NCL1 / XS2T-WRT202W-SF

Report #: ILL-20170511-01

Reflector Finish: White

Luminaire Watts: 10W

Luminaire Lumens: 649lm

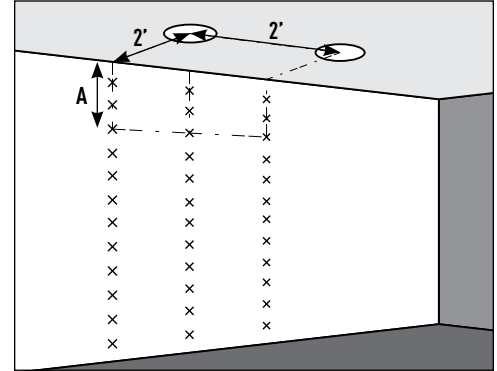
Lumens Per Watt: 65

Color Temperature: 3000K

Color Rendering Index: 82

(A) Distance From Ceiling	2' From Wall On 2' Centers	2' From Wall On 3' Centers	3' From Wall On 3' Centers
	□ 2' □	□ 3' □	□ 3' □
1'	0 1 0	0 0 0	0 0 0
2'	14 16 14	12 9 12	3 3 3
3'	20 26 20	16 20 16	7 8 7
4'	18 22 18	14 19 14	9 11 9
5'	13 15 13	11 14 11	9 11 9
6'	9 10 9	8 10 8	8 9 8
7'	6 7 6	6 7 6	6 7 6
8'	5 5 5	4 5 4	5 6 5
9'	3 3 3	3 3 3	4 4 4
10'	2 3 2	2 2 2	3 3 3

Example: Two luminaires located 2' from wall and spaced 2' on center, the illumination on the wall 2' down from ceiling will be 14fc beneath units and 16fc between units



## XS2-NCL2 / XS2T-WRT202W-SF

Report #: ILL-20170512-01.01

Trim Finish: White

Luminaire Watts: 15W

Luminaire Lumens: 990lm

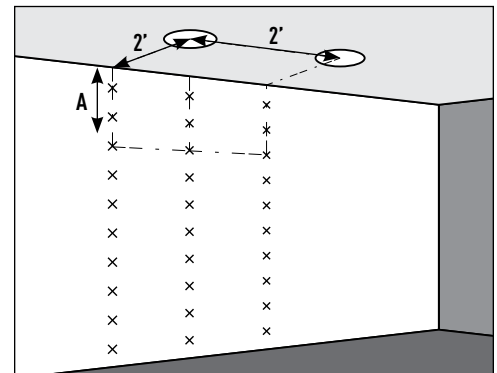
Lumens Per Watt: 66

Color Temperature: 3000K

Color Rendering Index: 82

(A) Distance From Ceiling	2' From Wall On 2' Centers	2' From Wall On 3' Centers	3' From Wall On 3' Centers
	□ 2' □	□ 3' □	□ 3' □
1'	1 1 1	1 1 1	0 0 0
2'	23 26 23	20 16 20	6 6 6
3'	33 40 33	25 31 25	11 13 11
4'	29 32 29	23 28 23	14 17 14
5'	21 22 21	18 20 18	14 16 14
6'	14 15 14	13 14 13	12 13 12
7'	10 10 10	9 10 9	10 11 10
8'	7 7 7	6 7 6	8 8 8
9'	5 5 5	5 5 5	6 6 6
10'	4 4 4	3 4 3	5 5 5

Example: Two luminaires located 2' from wall and spaced 2' on center, the illumination on the wall 2' down from ceiling will be 23fc beneath units and 26fc between units



CCT / CRI Multipliers:

2700K / 82 CRI (x 0.93); 2700K / 92 CRI (x 0.75); 3000K / 82 CRI (x 1.00); 3000K / 82 CRI (x 1.00); 4000K / 82 CRI (x 1.00); 4000K / 82 CRI (x 0.86)